

THIS DRAWING IS UNPUBLISHED.

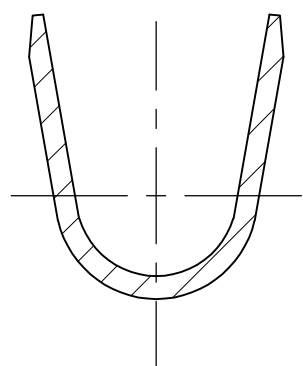
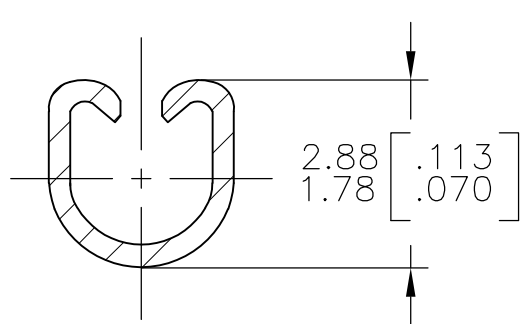
RELEASED FOR PUBLICATION

REVISIONS

© COPYRIGHT - By -

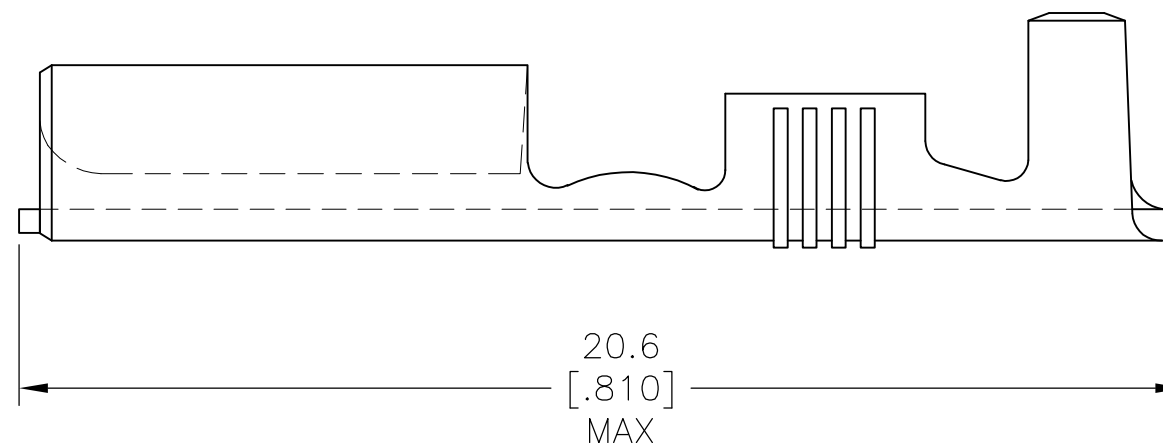
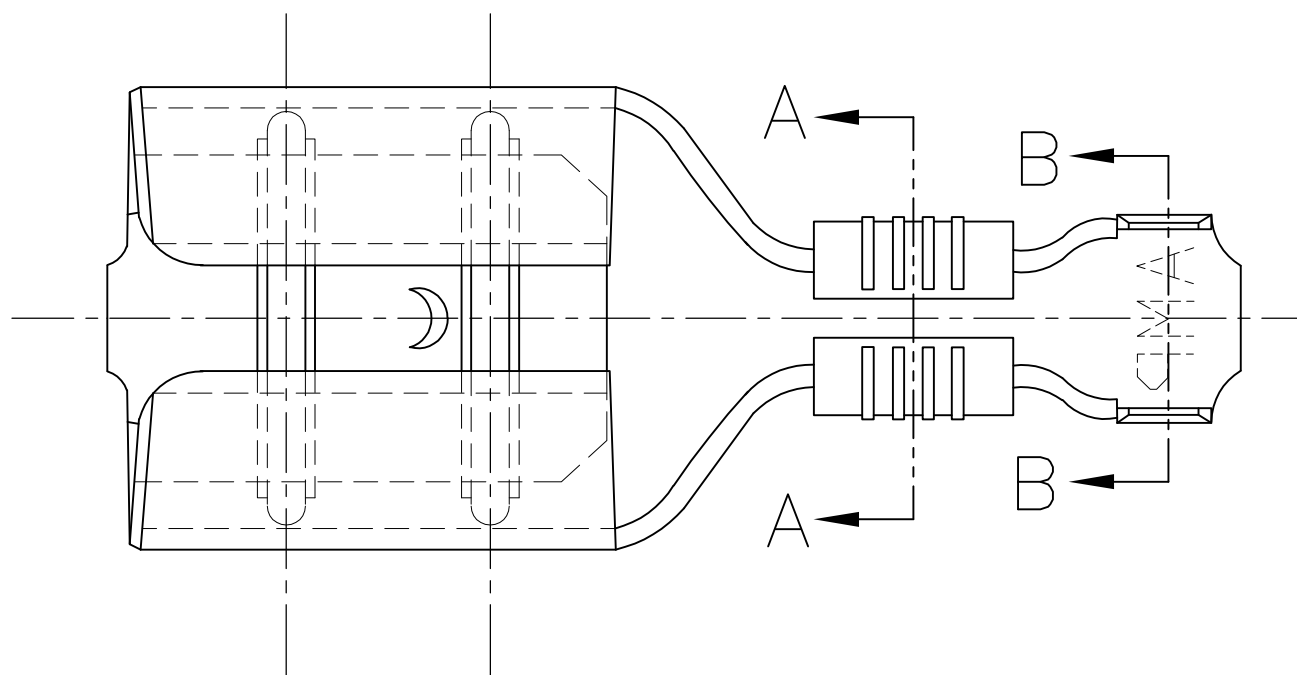
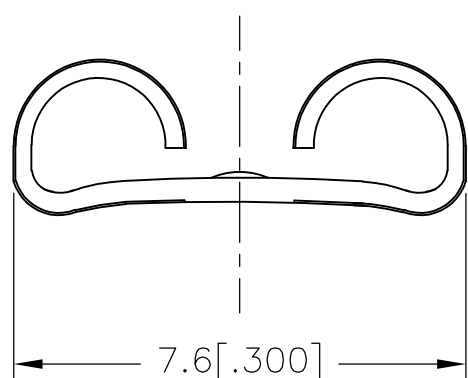
ALL RIGHTS RESERVED.

P	LTR	DESCRIPTION	DATE	DWN	APVD
	A	NEW DRAWING	30NOV2016	RS	TD



SECTION A-A

SECTION B-B



1 SUPERSEDED PART.

STOCK THK.
0.40 [.016]

140760-3	A-2	140794-3
140760-2	A-1	140794-2
140760-1	A	<del>140794-1</del>
STRIP FROM	MAT.	PART NUMBER

CODE	MATERIAL DESCRIPTION
A	PHOSPHOR BRONZE
CODE	HEATTREATMENT
1	ELECTRO-TIN
2	SILVER PLATED

THIS DRAWING IS A CONTROLLED DOCUMENT.	
DIMENSIONS: mm [INCHES]	TOLERANCES UNLESS OTHERWISE SPECIFIED:
	0 PLC ± -
	1 PLC ± 0.40 [.015]
	2 PLC ± 0.40 [.015]
	3 PLC ± 0.40 [.015]
4 PLC ± -	ANGLES ± -
MATERIAL SEE TABLE	FINISH SEE TABLE

DWN	RAVI S	30NOV2016
CHK	LI DAISY	30NOV2016
APVD	DING TIM	30NOV2016
PRODUCT SPEC	-	-
APPLICATION SPEC	-	-
WEIGHT	-	-
CUSTOMER DRAWING		

TE Connectivity				NAME		RESTRICTED TO	
				FASTON RECEPTACLE			
SIZE	CAGE CODE	DRAWING NO	RESTRICTED TO				
A3	00779	C-140794	-				
SCALE		SHEET		REV			
1:1		1 OF 1		A			

单击下面可查看定价，库存，交付和生命周期等信息

[>>TE Connectivity\(泰科\)](#)