

THIS DRAWING IS UNPUBLISHED.

RELEASED FOR PUBLICATION

ALL RIGHTS RESERVED.

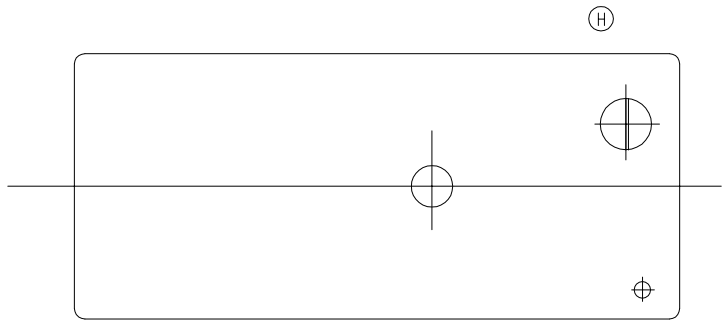
© COPYRIGHT - By TE Connectivity

REVISIONS

P	LTR	DESCRIPTION	DATE	DWN	APVD
	H	1.UPDATE TE LOGO 2.ADD LINE IDENTIFICATION 3.TERMINALS TOLERANCE CLARIFICATION 4.VENT HOLE CHANGE	ECO-12-005726	09-APR-12	D.L B.H.Y
	H1	ADD NEW PN	ECO-17-000322	10-JAN-17	XR.L H.L.C
	H2	ADD SHEET 3/4, OZ-SH-105LM1F ADD 20A RATING	ECO-17-008000	12-JUL-17	XR.L T.K

D

D



Ⓜ

PART A

PART B



OZ-SS-124LM1F

24V

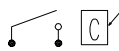


16A 240V~ Res.  
1/2HP 120V~



16A 240V~

C:MADE IN CHINA



LOT NO.

CHARACTER(A TO Z)  
FOR LINE IDENTIFIER

C

C

L TYPE:

Ⓜ	1-2071269-2	OZ-SS-112LM1F	12V	OZ-SS-112LM1F	h
	1461868-7	OZ-SS-109LM1F	9V	OZ-SS-109LM1F	g
	1461868-5	OZ-SS-112LM1F	12V	OZ-SS-112LM1F	e
Ⓜ	1461868-8	OZ-SH-105LM1F	5V	OZ-SH-105LM1F	d
	1461868-3	OZ-SH-124LM1F	24V	OZ-SH-124LM1F	c
	1461868-2	OZ-SS-124LM1F	24V	OZ-SS-124LM1F	b
	1461868-1	OZ-SH-112LM1F	12V	OZ-SH-112LM1F	a
	PART NO	DESCRIPTION	PART B	PART A	ITEM

RELAY TYPE

B

B

20.6

4

0.6

0.3

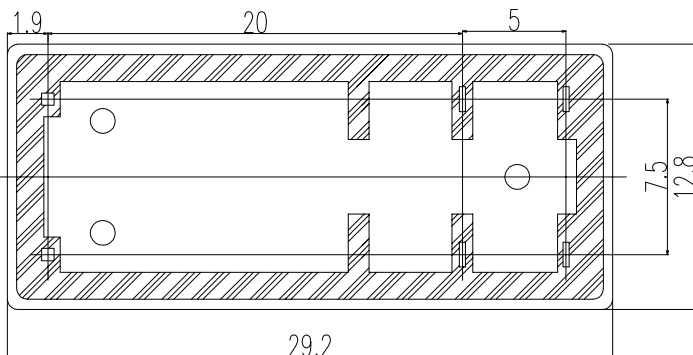
0.3

1.2

1.2

A

A



1.9

20

5

7.5

12.8

29.2

THIS DRAWING IS A CONTROLLED DOCUMENT.

DWN 09APR2012

LIU.XIANGREN

CHK CHEN.TIMOTHY

APVD ZHANG.SUNNY

PRODUCT SPEC

APPLICATION SPEC

WEIGHT

CUSTOMER DRAWING



OZ CUSTOMER DRAWING

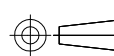
SIZE CAGE CODE DRAWING NO RESTRICTED TO

A3 00779 C=1461868

SCALE 4:1 SHEET 1 OF 4 REV H2

DIMENSIONS: mm

TOLERANCES UNLESS OTHERWISE SPECIFIED.



0 PLC	±	-
1 PLC	±	-
2 PLC	±	-
3 PLC	±	-
4 PLC	±	-
ANGLES	±	-

MATERIAL FINISH

4 3 2 1

THIS DRAWING IS UNPUBLISHED. RELEASED FOR PUBLICATION

© COPYRIGHT - By TE Connectivity ALL RIGHTS RESERVED.

REVISIONS

P	LTR	DESCRIPTION	DATE	DWN	APVD
-	-	SEE SHEET 1	-	-	-

**TE**  
**CQC** **CUS**  
**OZ-SS-112DM1F** 12V  
 16A 240V~ Res.  
 1/2HP 120V~  
 16A 240V~  
 C:MADE IN CHINA  
 OEG  
 LOT NO.  
 CHARACTER(A TO Z) FOR LINE IDENTIFIER

D TYPE:

PART NO	DESCRIPTION	PART B	PART A	ITEM
1461868-6	OZ-SS-112DM1F	12V	OZ-SS-112DM1F	f

RELAY TYPE

THIS DRAWING IS A CONTROLLED DOCUMENT.		DWN LIU.XIANGREN	09APR2012		<b>STE</b> TE Connectivity	
		CHK CEHN.TIMOTHY				
DIMENSIONS: mm		TOLERANCES UNLESS OTHERWISE SPECIFIED.		NAME -		
		0 PLC	±	PRODUCT SPEC -		
		1 PLC	±	APPLICATION SPEC -		
		2 PLC	±	SIZE A3		
		3 PLC	±	CAGE CODE 00779		
MATERIAL		4 PLC	±	DRAWING NO C=1461868		RESTRICTED TO -
FINISH		4 PLC ANGLES	±	WEIGHT 0		SCALE 4:1
				CUSTOMER DRAWING		SHEET 2 OF 4
						REV H2

1470-19 (1/15)

Downloaded From Oneyac.com

4

3

2

1

THIS DRAWING IS UNPUBLISHED.

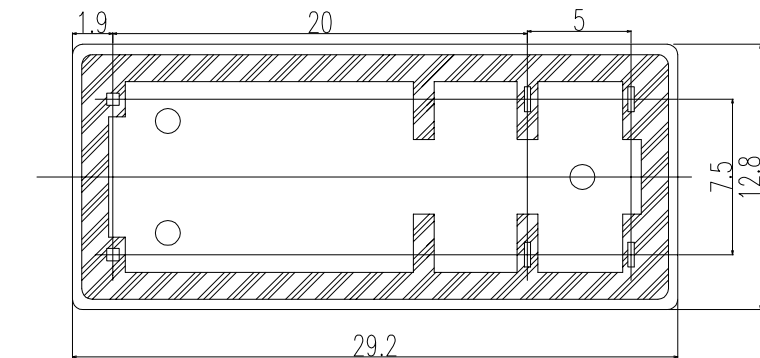
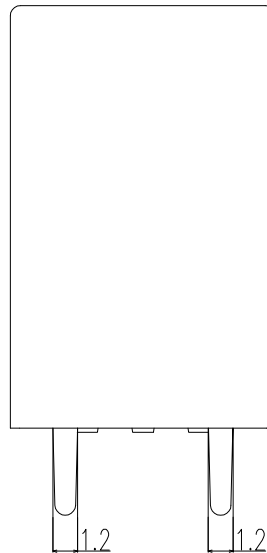
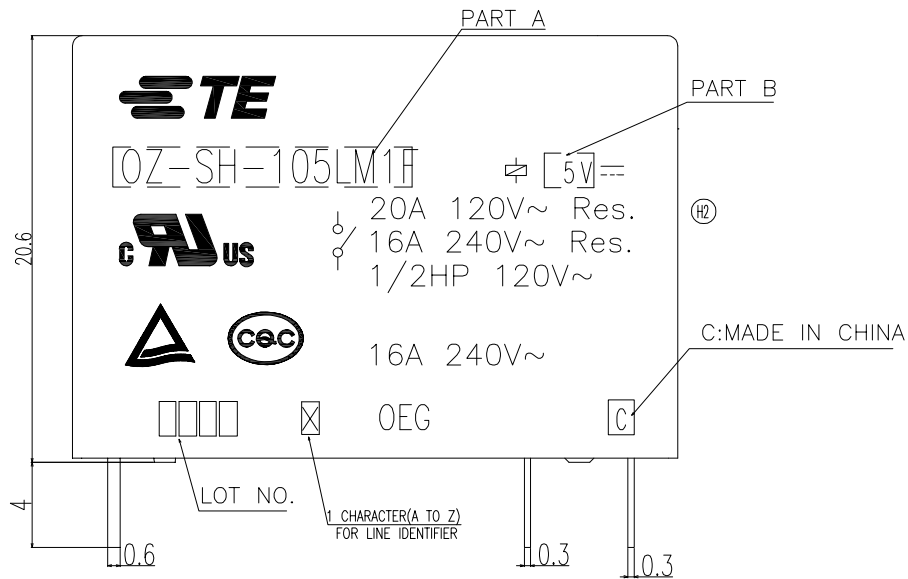
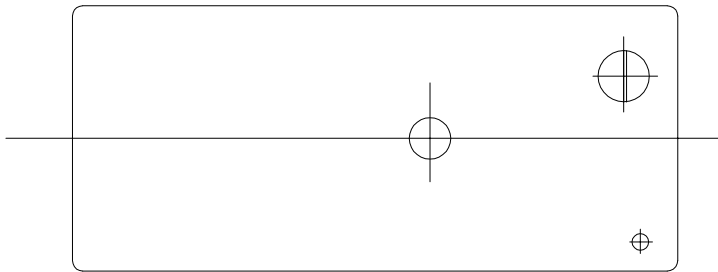
RELEASED FOR PUBLICATION

ALL RIGHTS RESERVED.

© COPYRIGHT - By TE Connectivity

REVISIONS

P	LTR	DESCRIPTION	DATE	DWN	APVD
-	-	SEE SHEET 1	-	-	-



④	1461868-8	OZ-SH-105LM1F	5V	OZ-SH-105LM1F	d
	PART NO	DESCRIPTION	PART B	PART A	ITEM

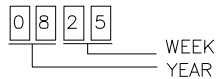
RELAY TYPE

THIS DRAWING IS A CONTROLLED DOCUMENT.		DWN LIU.XIANGREN 09APR2012	TE Connectivity  OZ CUSTOMER DRAWING		
DIMENSIONS: mm		CHK CHEN.TIMOTHY			
TOLERANCES UNLESS OTHERWISE SPECIFIED:		APVD ZHANG.SUNNY	-		
0 PLC ± - 1 PLC ± - 2 PLC ± - 3 PLC ± - 4 PLC ± - ANGLES ± -		PRODUCT SPEC	-		
MATERIAL		APPLICATION SPEC	-		
FINISH		WEIGHT	SIZE	CAGE CODE	DRAWING NO
-		0.000000	A3	00779	C=1461868
CUSTOMER DRAWING			RESTRICTED TO	-	
SCALE 4:1			SHEET 3 OF 4	REV H2	

THIS DRAWING IS UNPUBLISHED. RELEASED FOR PUBLICATION  
 © COPYRIGHT - By TE Connectivity ALL RIGHTS RESERVED.

REVISIONS				
P	LTR	DESCRIPTION	DATE	APVD
-	-	SEE SHEET 1	-	-

NOTES:  
 1.LOT NO. SYSTEM AS FOLLOWING:



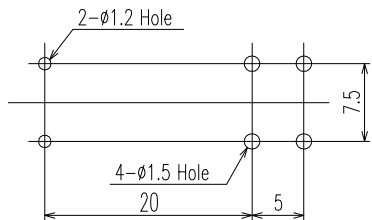
2.GENERAL TOLERANCE AS FOLLOWING:

TOLERANCE	
0~0.99mm	±0.1
1mm~2.99mm	±0.2
3mm MIN.	±0.3

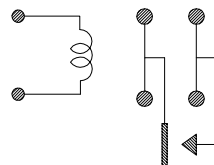
3.TERMINAL DIMENSION IS NOT INCLUDING SOLDER TIP.

Ⓜ 4.FOR THE TIN-PLATING OF THE PINS:  
 +0.1mm FOR WIDTH,THICKNESS AND DIAMETER.  
 +0.5mm FOR LENGTH.

CIRCUIT DIAGRAM(2/1)  
 (BOTTOM VIEW)



DRILLING DIAGRAM  
 (BOTTOM VIEW)



		EPOXY RESIN	SEAL	15
		Cu ALLOY	HINGE SPRING	14
		PBT	CASE	13
		MW79	MAGNETIC WIRE	12
UL94V-0		PET	BASE	11
UL94V-0		PA66 NYLON(CLASS F)	BOBBIN	10
	SOLDER DIP	Cu ALLOY	COIL TERMINAL	9
UL94V-0		PPS	CARD	8
		Ag ALLOY	MOVABLE CONTACT	7
		Ag ALLOY	STATIONARY CONTACT	6
	SOLDER DIP	Cu ALLOY	MOVABLE SPRING	5
	SOLDER DIP	Cu ALLOY	NO-TERMINAL	4
	Ni PLATED	STEEL	CORE	3
	Ni PLATED	STEEL	ARMATURE	2
	Ni PLATED	STEEL	YOKE	1
INCOMBUSTIBILITY	TREATMENT	MATERIAL	DESCRIPTION	ITEM

THIS DRAWING IS A CONTROLLED DOCUMENT.		DWN LIU.XIANGREN	TE Connectivity	
		CHK CHEN.TIMOTHY		
DIMENSIONS: mm		APVD ZHANG.SUNNY	NAME -	
		PRODUCT SPEC -	OZ CUSTOMER DRAWING	
TOLERANCES UNLESS OTHERWISE SPECIFIED:		APPLICATION SPEC -	SIZE A3	CAGE CODE 00779
0 PLC ± - 1 PLC ± - 2 PLC ± - 3 PLC ± - 4 PLC ± - ANGLES ± -		WEIGHT 0	DRAWING NO C=1461868	RESTRICTED TO -
MATERIAL -	FINISH -	CUSTOMER DRAWING		
SCALE 4:1			SHEET 4 OF 4	REV H2

单击下面可查看定价，库存，交付和生命周期等信息

[>>TE Connectivity\(泰科\)](#)