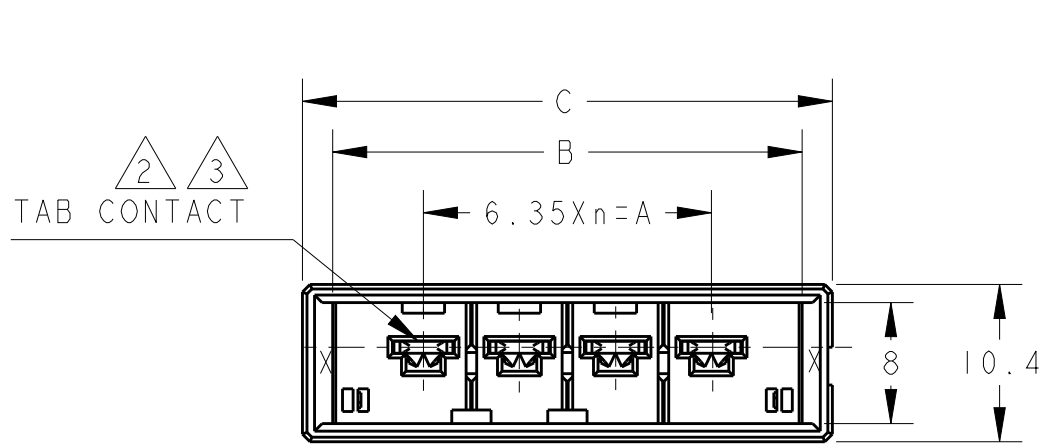
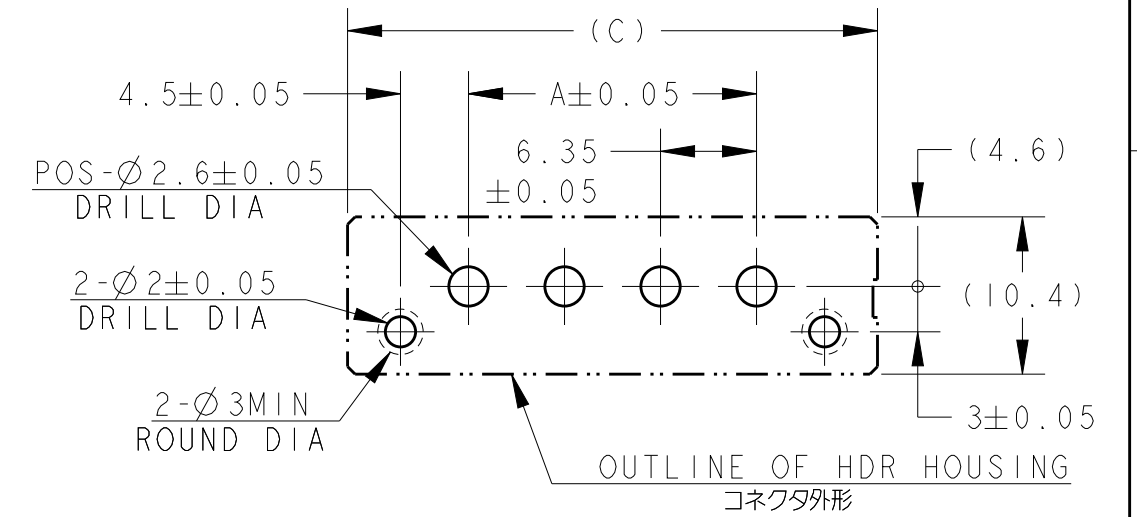
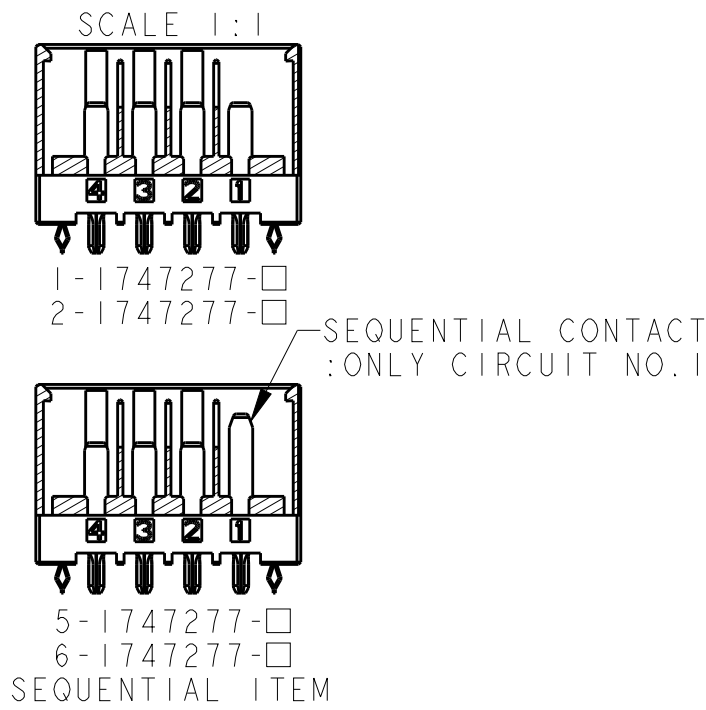


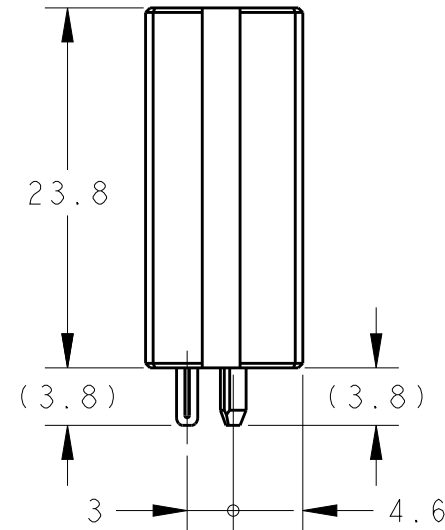
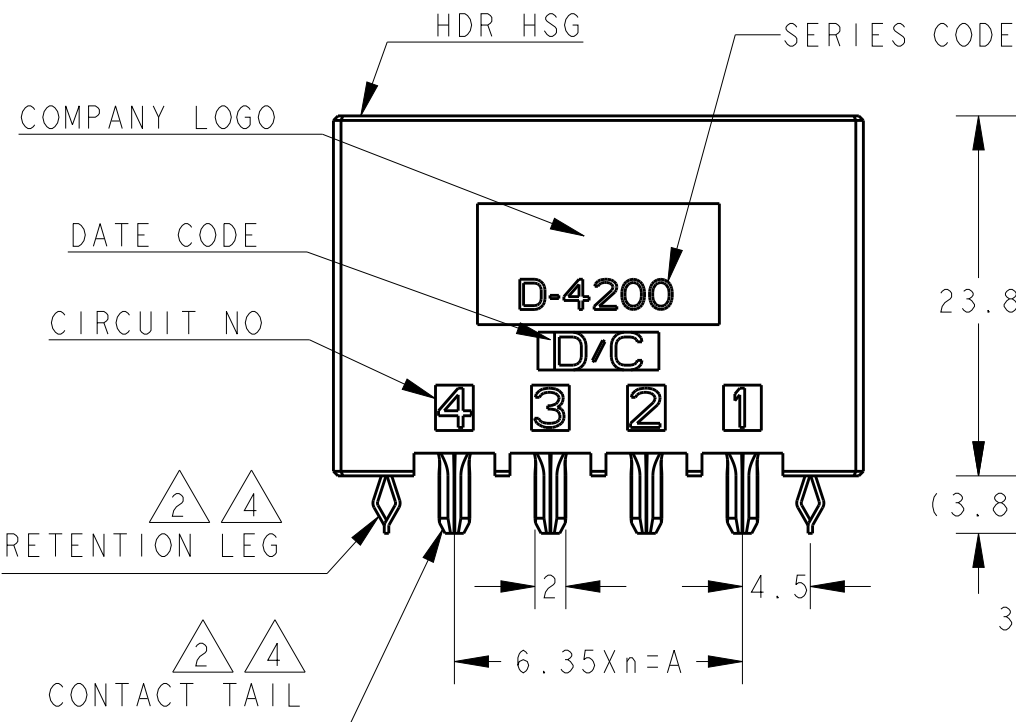
P	LTR	DESCRIPTION	DATE	DWN	APVD
	B	REVISED PER ECR-19-011328	18JUL2019	K.T	E.1



KEY LOCATION VIEW



推奨基板取付穴寸法: コネクタ搭載面 (非累積公差)
 PC基板厚: 1.6~2.4±0.1
 RECOMMEND PC BOARD HOLE PATTERN : CONNECTOR MOUNT SIDE (NOT ACCUMULATE TOLERANCE)
 PC BOARD THICKNESS : 1.6~2.4±0.1



AS SHOWN: 1-1747277-4 (4POS: X-KEY)

4	3		35.05	31.05	19.05	Y	2-1747277-4 6-1747277-4
4	3		35.05	31.05	19.05	X	1-1747277-4 5-1747277-4
3	2		28.70	24.70	12.70	Y	2-1747277-3 6-1747277-3
3	2		28.70	24.70	12.70	X	1-1747277-3 5-1747277-3
2	1		22.35	18.35	6.35	Y	2-1747277-2
2	1		22.35	18.35	6.35	X	1-1747277-2
POS	n	KEY LOCATION	C	B	A	KEY	PART NUMBER

1. MATERIAL: HOUSING: GLASS FIBER THERMO PLASTIC
 POLYESTER (94V-0), COLOR: BLACK
 CONTACT: COPPER ALLOY
 RETENTION LEG: COPPER ALLOY

- ②. FINISH (ALL OVER): NICKEL PL. 1.3μm MIN
- ③. FINISH (CONTACT AREA): GOLD PL. 0.38μm MIN AFTER ②
- ④. FINISH (CONTACT TAIL & RETENTION LEG): TIN PL. 2μm MIN AFTER ②

THIS DRAWING IS A CONTROLLED DOCUMENT.

DIMENSIONS:	TOLERANCES UNLESS OTHERWISE SPECIFIED:
単位: 概 mm	一般公差 ±0.3, ±3°
	0 PLC ±
	1 PLC ±0.5
	2 PLC ±0.13
	3 PLC ±0.013
	4 PLC ±0.0001
	ANGLES ±
MATERIAL 材料	FINISH 仕上
material_2	finish_spec_2

DWN	T. KUDO	02JUL2004
CHK	D. MITSUGI	02JUL2004
APVD	D. MITSUGI	02JUL2004
PRODUCT SPEC	108-78182	
APPLICATION SPEC	114-5369	
WEIGHT	-	
CUSTOMER DRAWING		



NAME 名称 DYNAMIC D4200S 6.35mm PITCH
 HDR ASSY (V-TYPE)
 2-4POS

SIZE	CAGE CODE	DRAWING NO	RESTRICTED TO
A3	00779	C-1747277	
SCALE 尺度	SHEET	OF	REV
2:1	1	1	B

单击下面可查看定价，库存，交付和生命周期等信息

[>>TE Connectivity\(泰科\)](#)