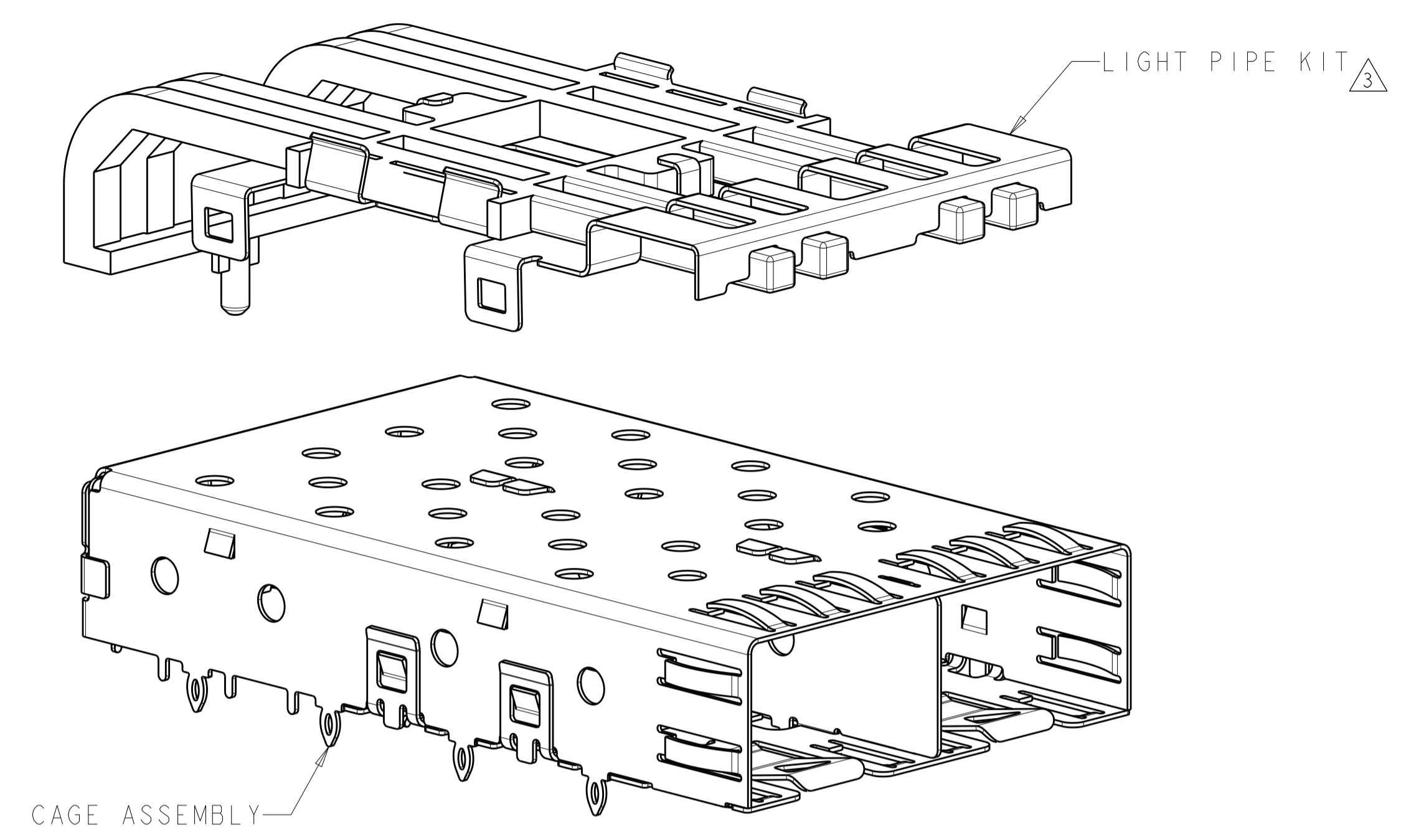
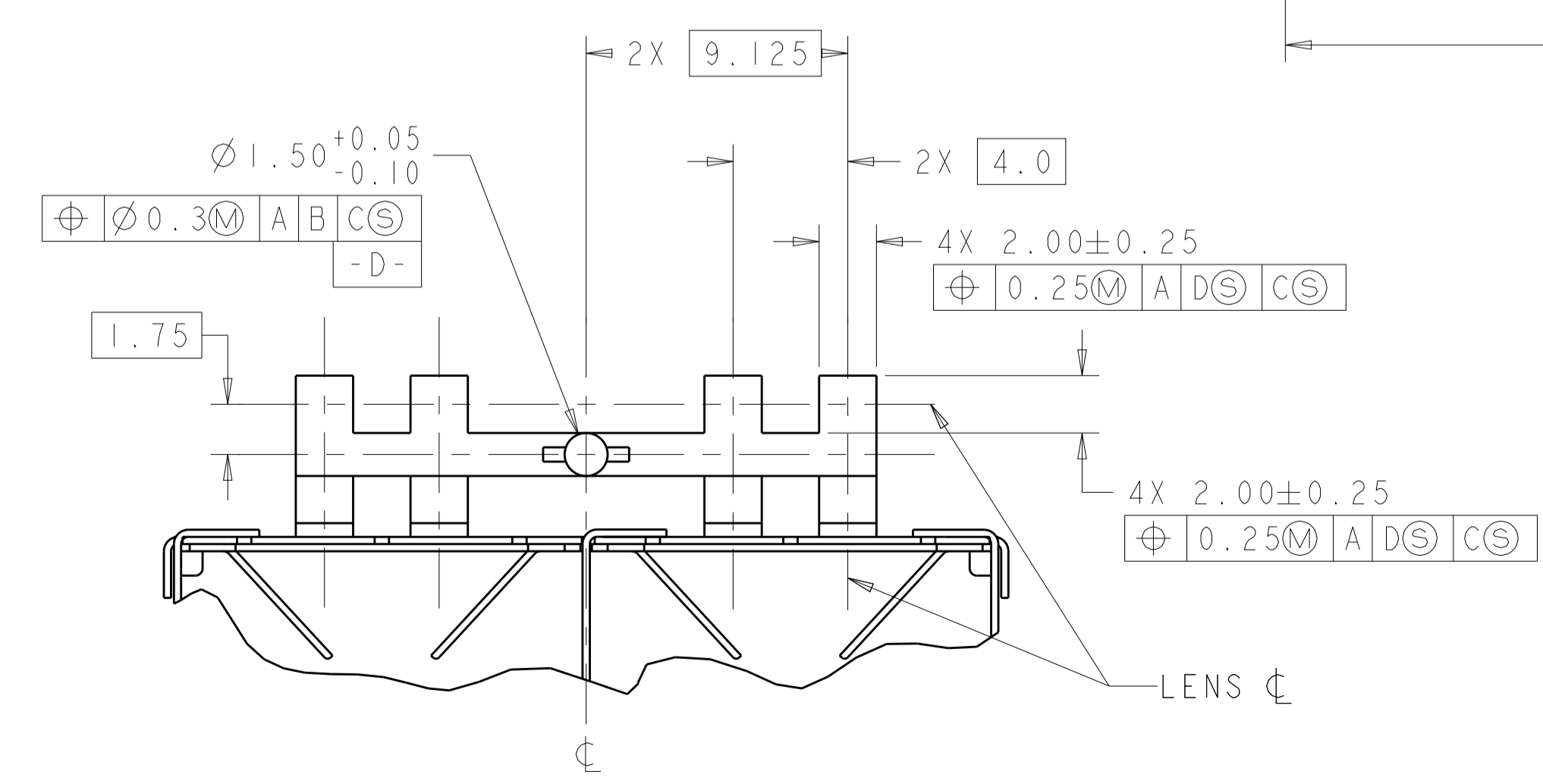
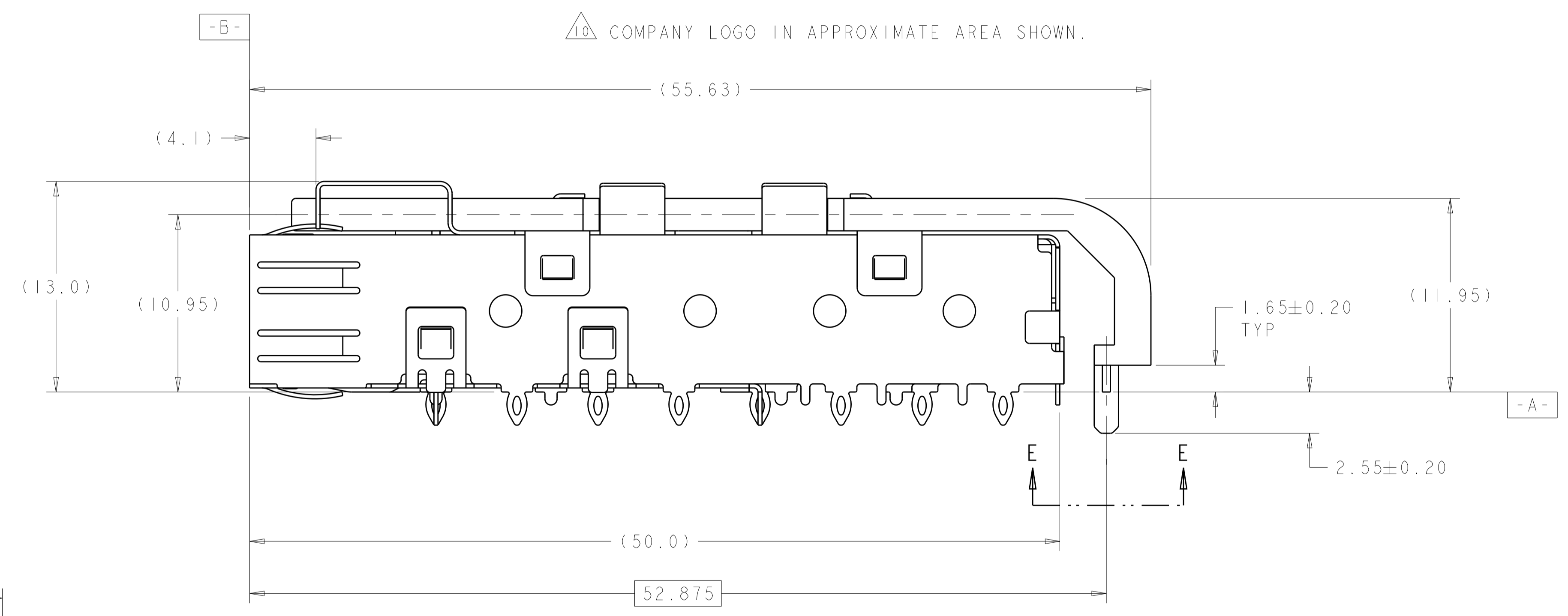
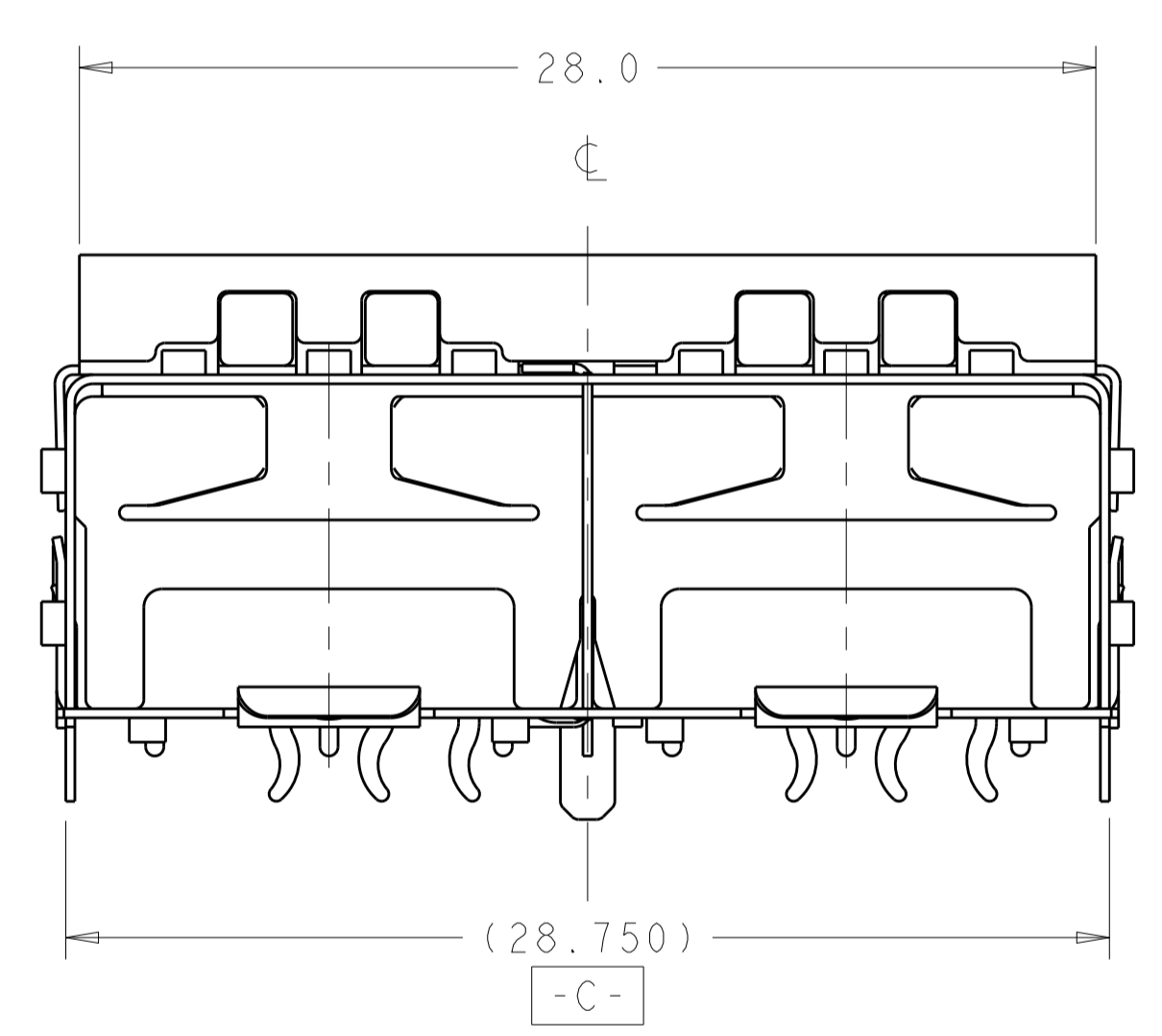


LOC	DIST	REVISIONS			
GP	00	REV	DATE	BY	CHK
		E1	18APR2011	RK	HMR
		F	20FEB2014	JW	SH
		F1	11JUL2014	JW	SH
		G	22SEP2015	JW	SH

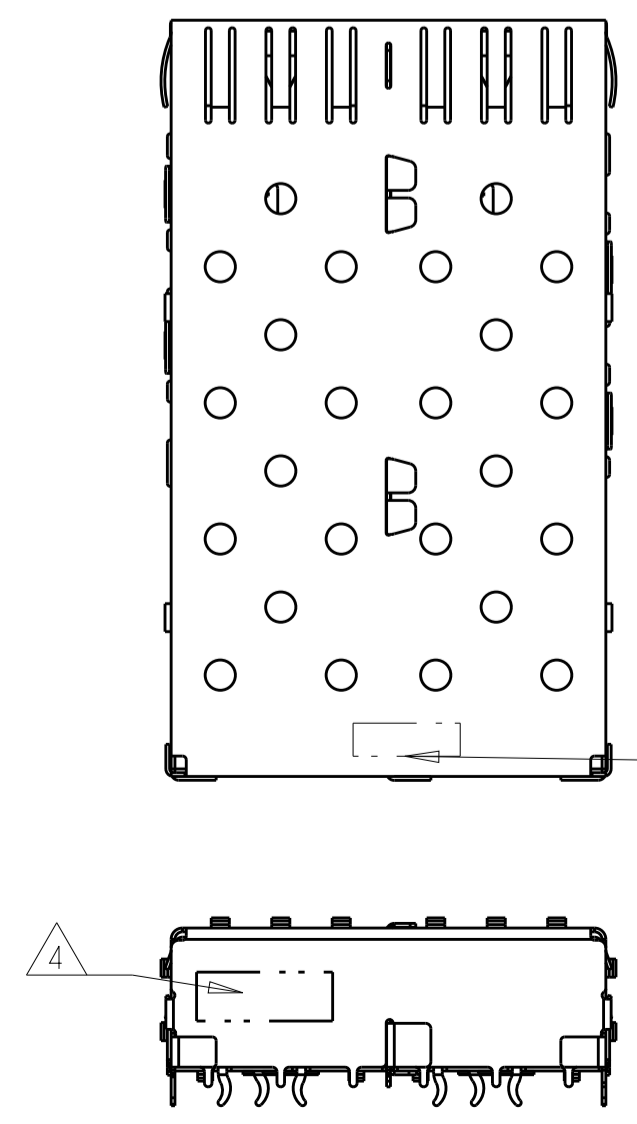


- △ PADS AND VIAS CHASSIS GROUND.
- △ DATUM AND BASIC DIMENSIONS ESTABLISHED BY CUSTOMER.
- △ LIGHT PIPE KIT WHICH IS SEPARATE FROM CAGE ASSEMBLY. KIT TO BE ATTACHED AFTER SEATING OF 1761014-1&3 ON PC BOARD.
- △ DATE CODE AND PART NUMBER IN APPROXIMATE AREA SHOWN LABEL ON CAGE ASSEMBLY WILL HAVE PART NUMBER 1761014-1 OR -3.
- 5. REFERENCE STYLE 1 ON APPLICATION SPECIFICATION 114-13165 FOR ADDITIONAL INFORMATION ON CAGE ASSEMBLIES WITH LIGHT PIPES.
- △ REFERENCE APPLICATION SPEC 114-13120, HOLE A, FOR RECOMMENDED DRILL HOLE DIAMETER AND PLATING THICKNESSES.
- △ REFERENCE APPLICATION SPEC 114-13120, HOLE B, FOR RECOMMENDED DRILL HOLE DIAMETER AND PLATING THICKNESSES.
- △ PATTERN REPEATS FOR EACH PORT. SPACING BETWEEN PORTS IS 14.25mm.
- △ MINIMUM PC BOARD THICKNESS = 1.50mm.
- △ COMPANY LOGO IN APPROXIMATE AREA SHOWN.

1761007-1&2
SCALE 4:1



VIEW E-E
ROTATED 90° COUNTERCLOCKWISE



SUPERSEDED BY:
1761007-2

1761011-3	1761014-3	1X2 ASSEMBLY	1761007-2
1761011-1	1761014-1	1X2 ASSEMBLY	1761007-1
LIGHT PIPE KIT	CAGE ASSEMBLY	DESCRIPTION	PART NO

THIS DRAWING IS A CONTROLLED DOCUMENT.

DIMENSIONS: mm

TOLERANCES UNLESS OTHERWISE SPECIFIED:

0 PLC	±0.10
1 PLC	±0.10
2 PLC	±0.10
3 PLC	±0.10
4 PLC	±0.10
ANGLES	±0.10
FINISH	±0.05

MATERIAL: -

Customer Drawing

DWN: JIM VAN SCHOOT 16JAN2004
CHK: M. PHILLIPS 16JAN2004
APVD: M. PHILLIPS 16JAN2004

NAME: SFP
PRODUCT SPEC: 108-1950
APPLICATION SPEC: 114-13120

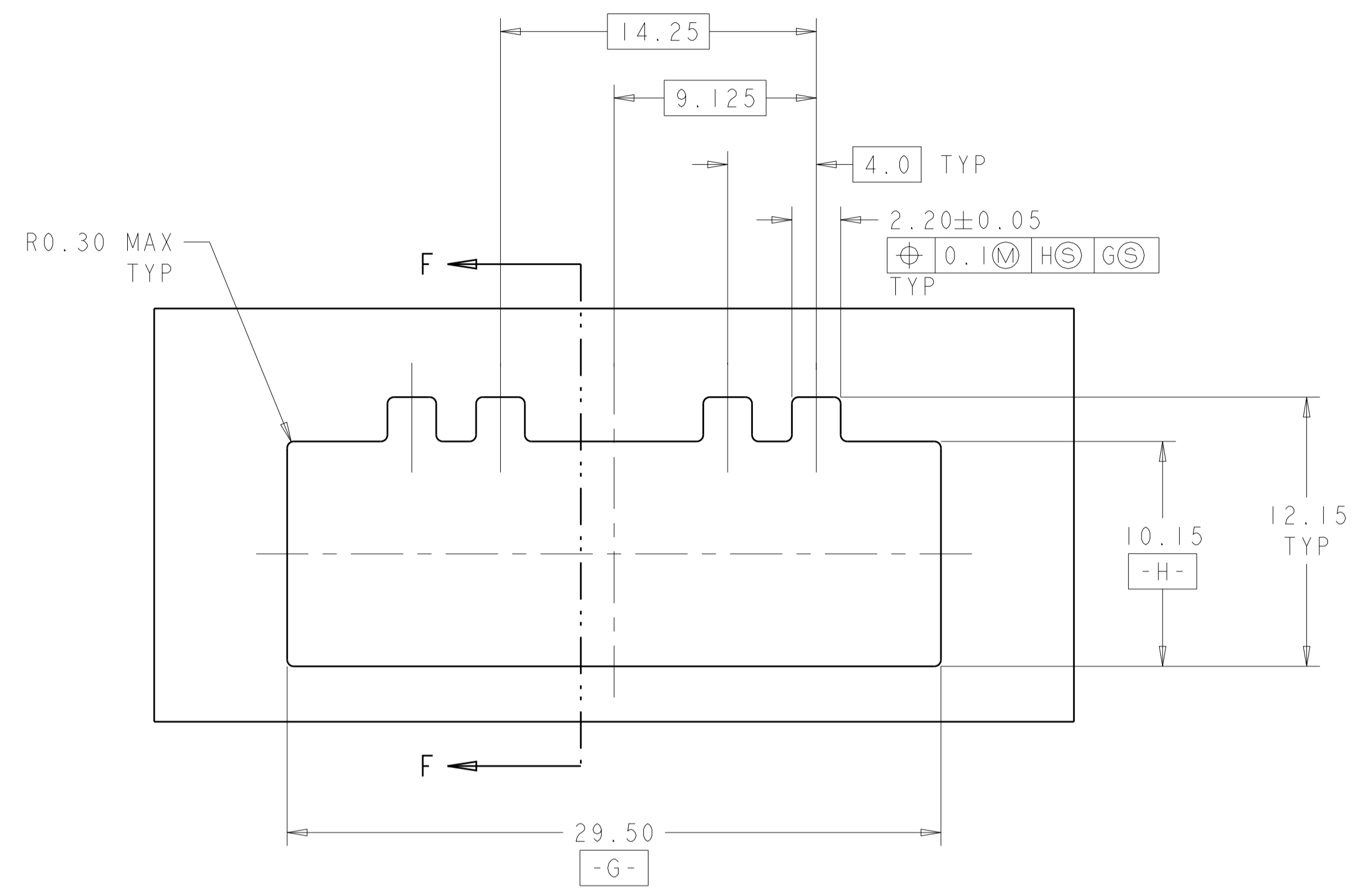
SIZE: A1
CAGE CODE: 100779
DRAWING NO: 1761007

RESTRICTED TO: -

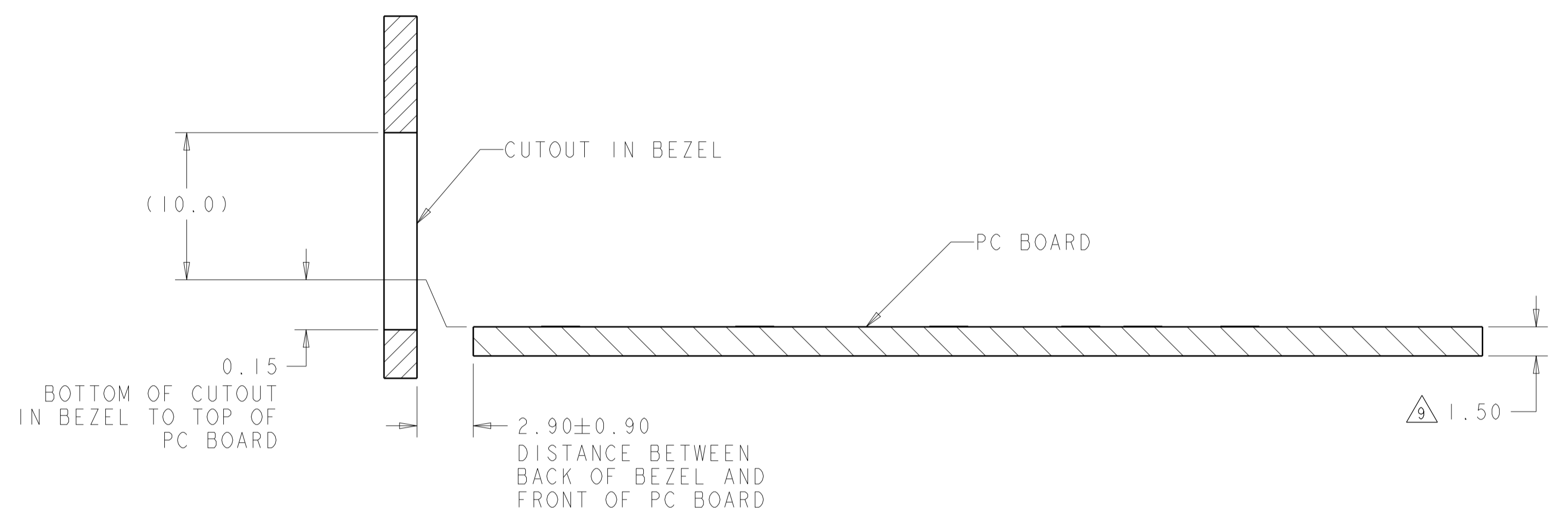
SCALE: 5:1 SHEET 1 OF 3 REV G

STE TE Connectivity

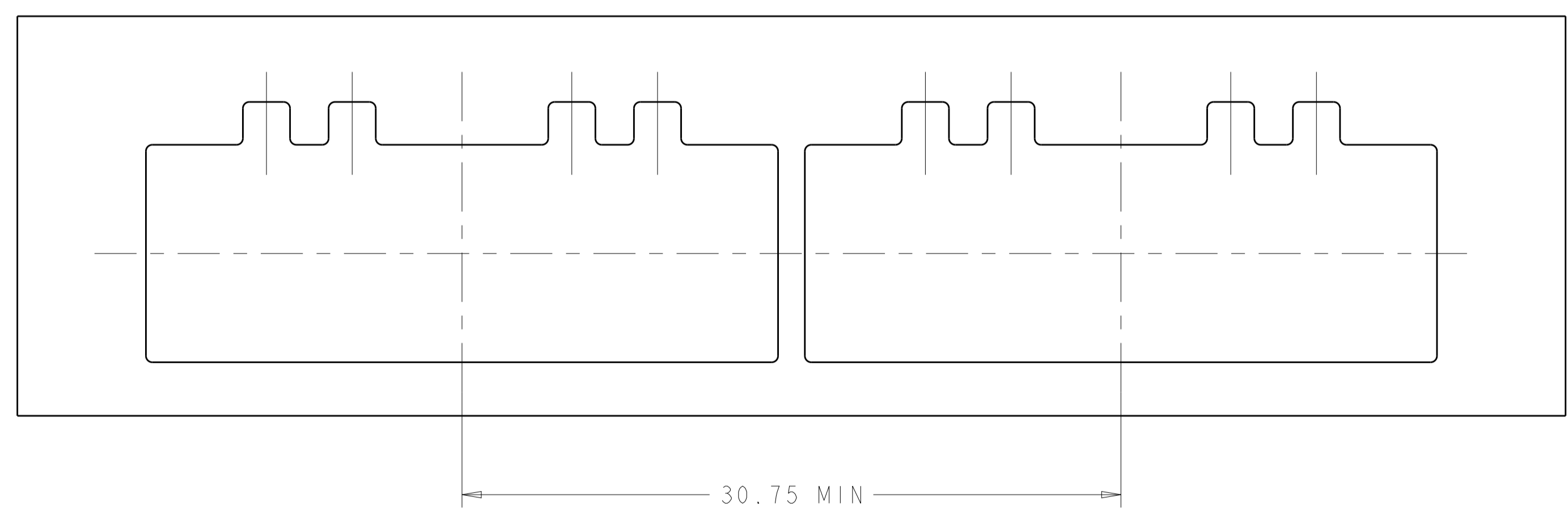
LOC	DIST	REVISIONS			
P	LTN	DESCRIPTION	DATE	DMN	APVD
GP	00	SEE SHEET 1	-	-	-



RECOMMENDED BEZEL CUTOUT

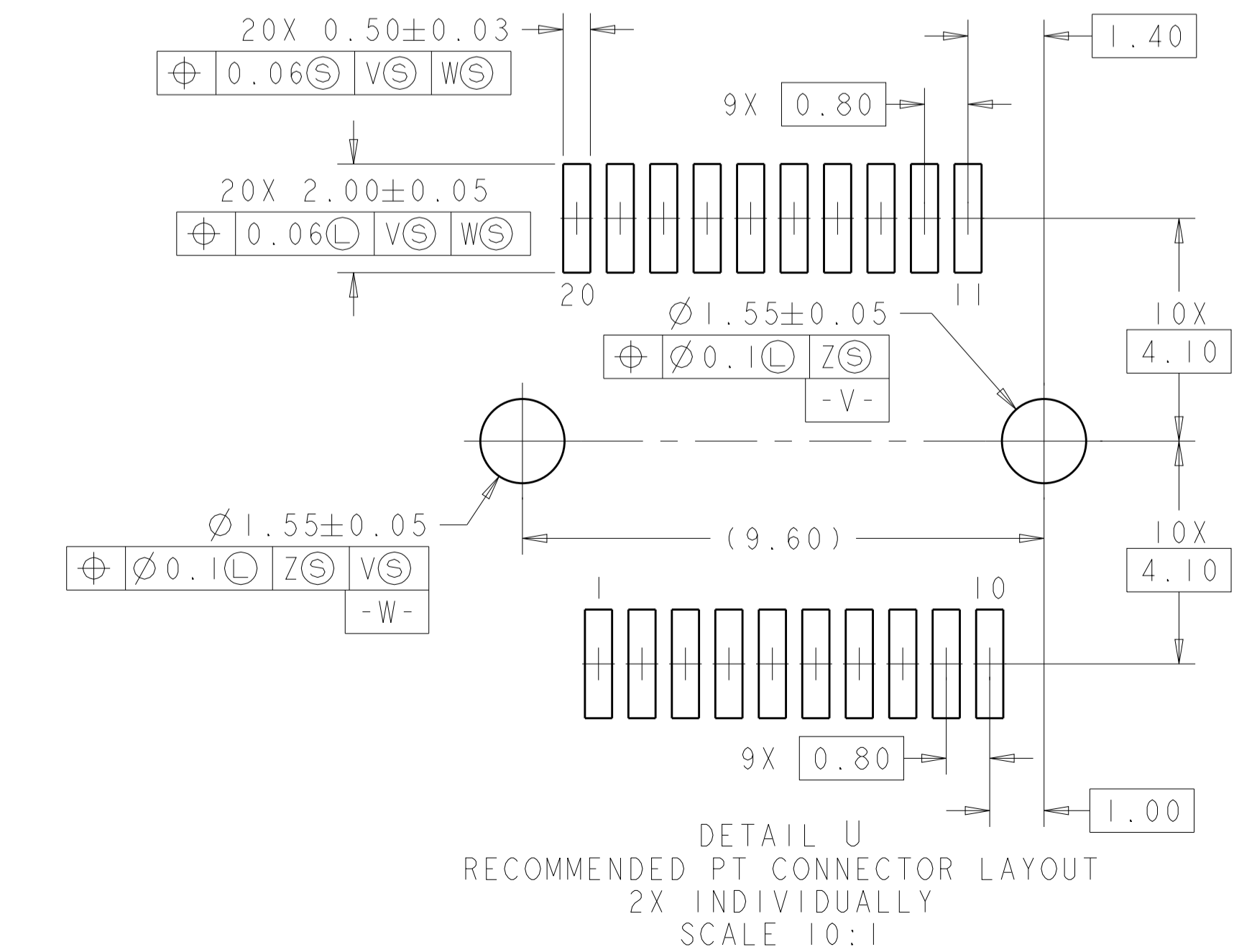
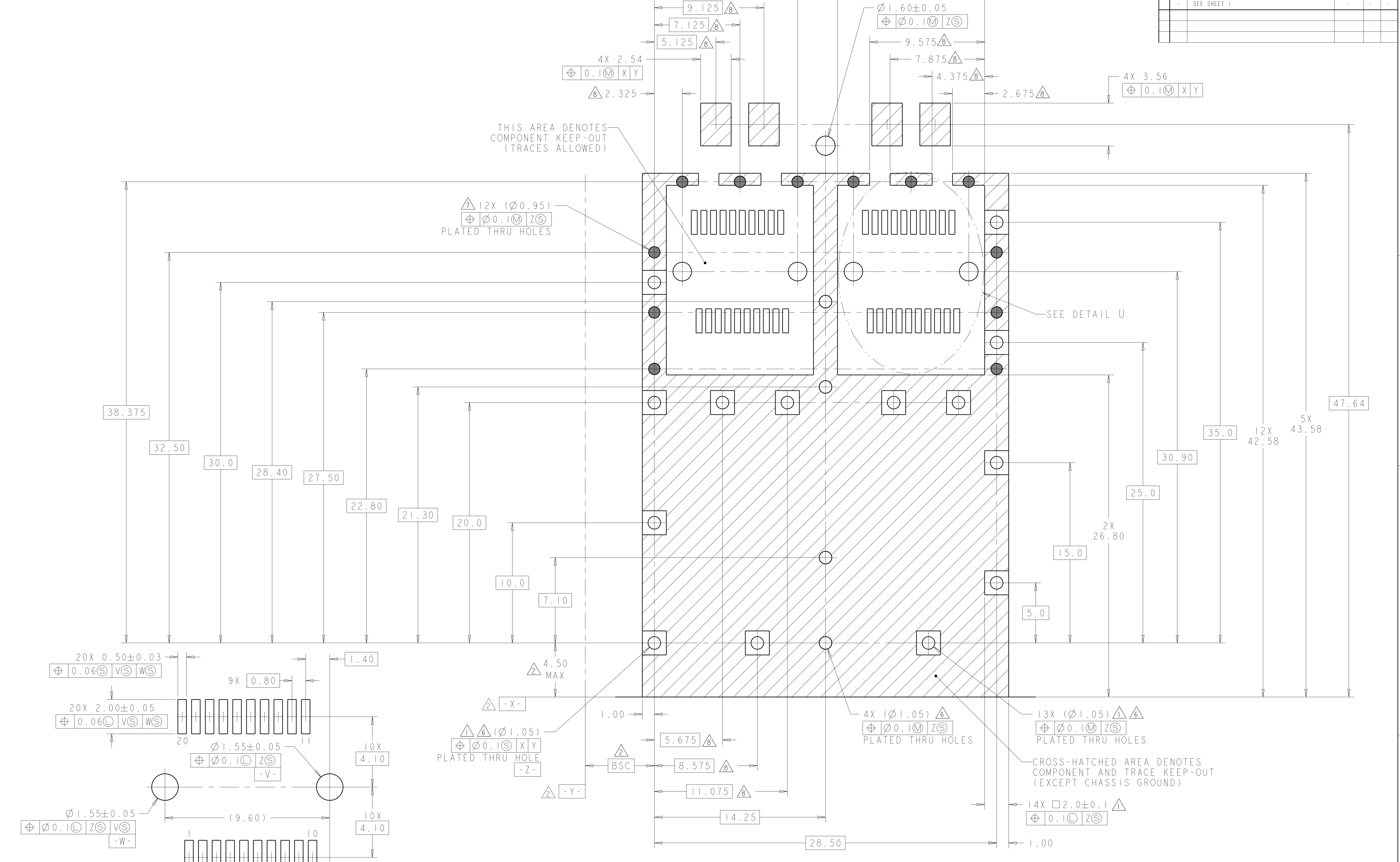


SECTION F-F
RECOMMENDED BEZEL CONFIGURATION



THIS DRAWING IS A CONTROLLED DOCUMENT.		DMN: MM VAN SCOOC 16 JAN 2004	TE Connectivity
DIMENSIONS: mm		CHK: M. PHILLIPS 16 JAN 2004	
TOLERANCES UNLESS OTHERWISE SPECIFIED:		APVD: M. PHILLIPS 16 JAN 2004	NAME: SFP
0 PLC	±0.10	PRODUCT SPEC	1X2 CAGE ASSEMBLY
1 PLC	±0.10	108-1950	WITH LIGHT PIPE
2 PLC	±0.10	APPLICATION SPEC	SIZE: CAGE CODE DRAWING NO
3 PLC	±0.10	114-13120	RESTRICTED TO
4 PLC	±0.10	WEIGHT	A100779C=1761007
ANGLES	±2°	Customer Drawing	SCALE: 5:1 SHEET 2 OF 3 REV G

LOC		DIST		REVISIONS				
GP	00	P	LTN	DESCRIPTION	DATE	DMN	APVD	
		-	-	SEE SHEET 1				



THIS DRAWING IS A CONTROLLED DOCUMENT.		DMN: JIM VAN SCOOC 16JAN2004	STE TE Connectivity
DIMENSIONS: mm		CHK: M. PHILLIPS 16JAN2004	
TOLERANCES UNLESS OTHERWISE SPECIFIED:		APVD: M. PHILLIPS 16JAN2004	NAME: SFP
0 PLC ±0.10		PRODUCT SPEC: 108-1950	SIZE: CAGE CODE DRAWING NO
1 PLC ±0.10		APPLICATION SPEC: 114-13120	RESTRICTED TO
2 PLC ±0.10		WEIGHT: -	A100779C=1761007
3 PLC ±0.10		Customer Drawing	SCALE 5:1 SHEET 3 OF 3 REV G
4 PLC ±0.10			
ANGLES ±0.10			
FINISH: #2*			

单击下面可查看定价，库存，交付和生命周期等信息

[>>TE Connectivity\(泰科\)](#)