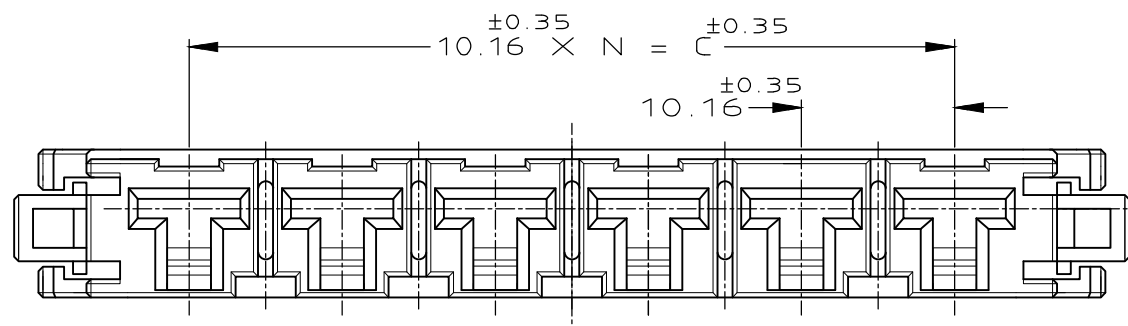
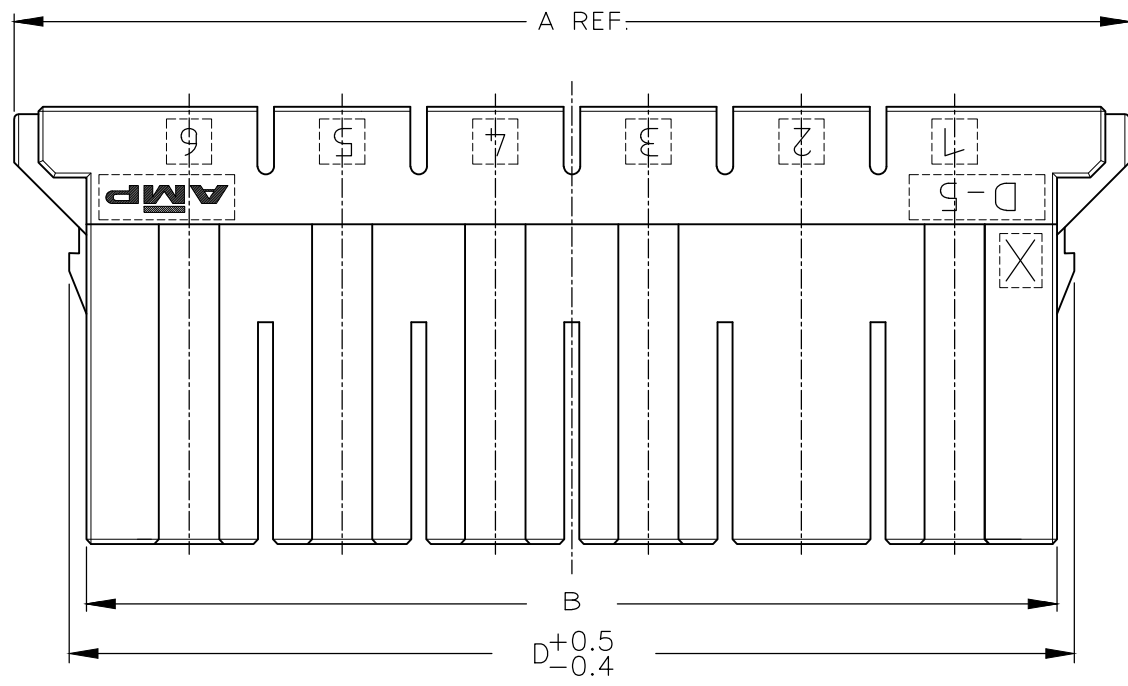
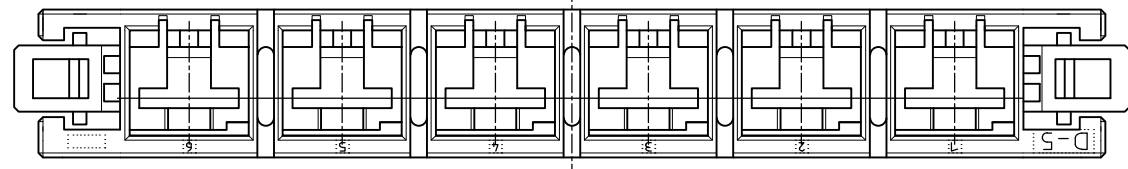
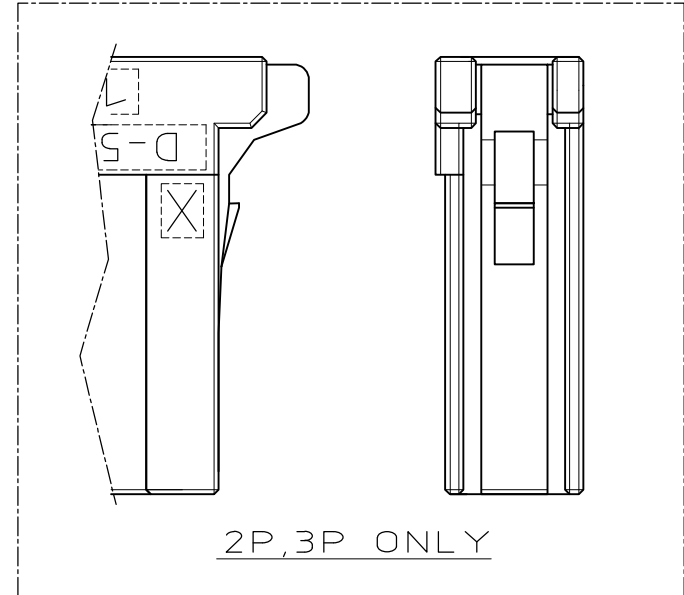
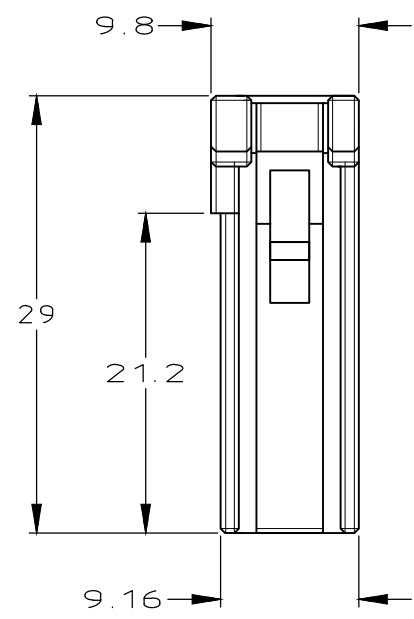
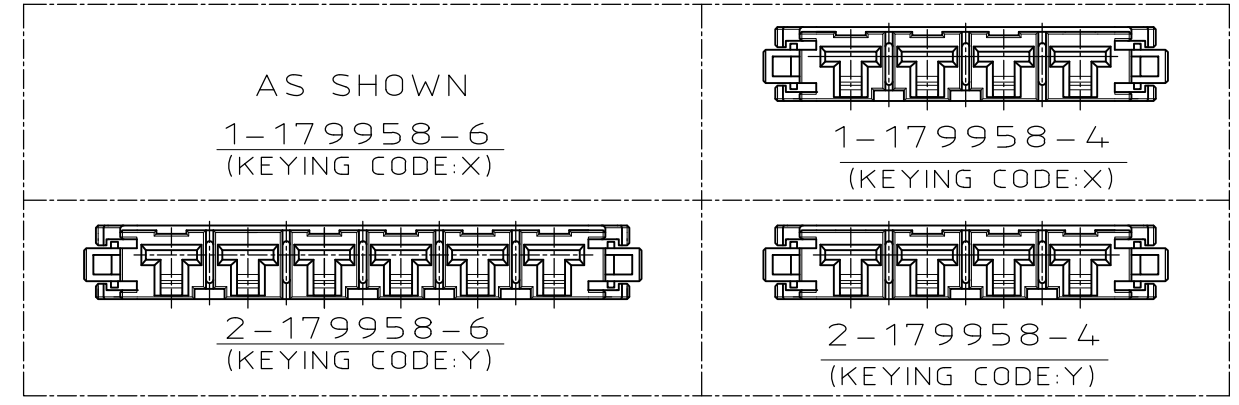


THIS DRAWING IS UNPUBLISHED. RELEASED FOR PUBLICATION  
 © COPYRIGHT - By Tyco Electronics Japan G.K. ALL RIGHTS RESERVED.

P		LTR		DESCRIPTION	DATE	DWN	APVD
	H			REVISED PER ECR-19-000804	17JAN2019	A.W	R.B



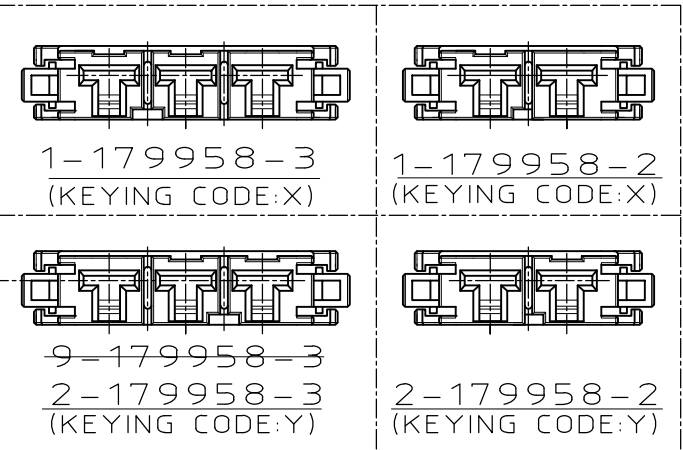
1-179958-6  
(KEYING CODE:X)



- 注記
- ① 材料 ハウジングガラス入り熱可塑性ポリエステル樹脂(94V-0),色 黒
  - ② ハウジング全面にテフロン塗装のこと
  - ③ 製品規格 : 108-5453

- NOTES
- ① MATERIAL:HOUSING:GLASS FILED THERMO PLASTIC, POLYESTER(94V-0),COLOR:BLACK
  - ② TO COAT ALL SURFACE OF HOUSING WITH TEFLON
  - ③ PRODUCT SPEC :108-5453

FINISH	D	C	B	A	N	POS	COLOR	P/N
	66.70	50.8	64.4	73.02	5	6	BLACK	2-179958-6
							BLACK	1-179958-6
OBSOLETE								5-179958-4
							BLACK	2-179958-4
	46.38	30.48	44.08	53.68	3	4	BLACK	1-179958-4
OBSOLETE								5-179958-3
OBSOLETE							NATURAL	9-179958-3
							BLACK	2-179958-3
	36.22	20.32	33.92	45.92	2	3	BLACK	1-179958-3
							BLACK	2-179958-2
	26.06	10.16	23.76	35.76	1	2	BLACK	1-179958-2



THIS DRAWING IS A CONTROLLED DOCUMENT.

DIMENSIONS: mm	TOLERANCES UNLESS OTHERWISE SPECIFIED:	DWN Y.ISHIKAWA 22MAR1995	 TE Connectivity
	0 PLC ± 10 ±0.2 1 PLC ± 30 >10 ±0.25 2 PLC ± 100 >30 ±0.3 3 PLC ± 4 PLC ANGLES ±3°	CHK S.MANABE 23MAR1995	
		APVD S.MABABE 23MAR1995	
MATERIAL	FINISH	PRODUCT SPEC	

NAME: SINGLE ROW REC HSG DYNAMIC D-5200

SIZE: A3 CAGE CODE: 00779 DRAWING NO: C-179958 RESTRICTED TO: -

SCALE: 2:1 SHEET: 1 OF 1 REV: H1

CUSTOMER DRAWING

单击下面可查看定价，库存，交付和生命周期等信息

[>>TE Connectivity\(泰科\)](#)