

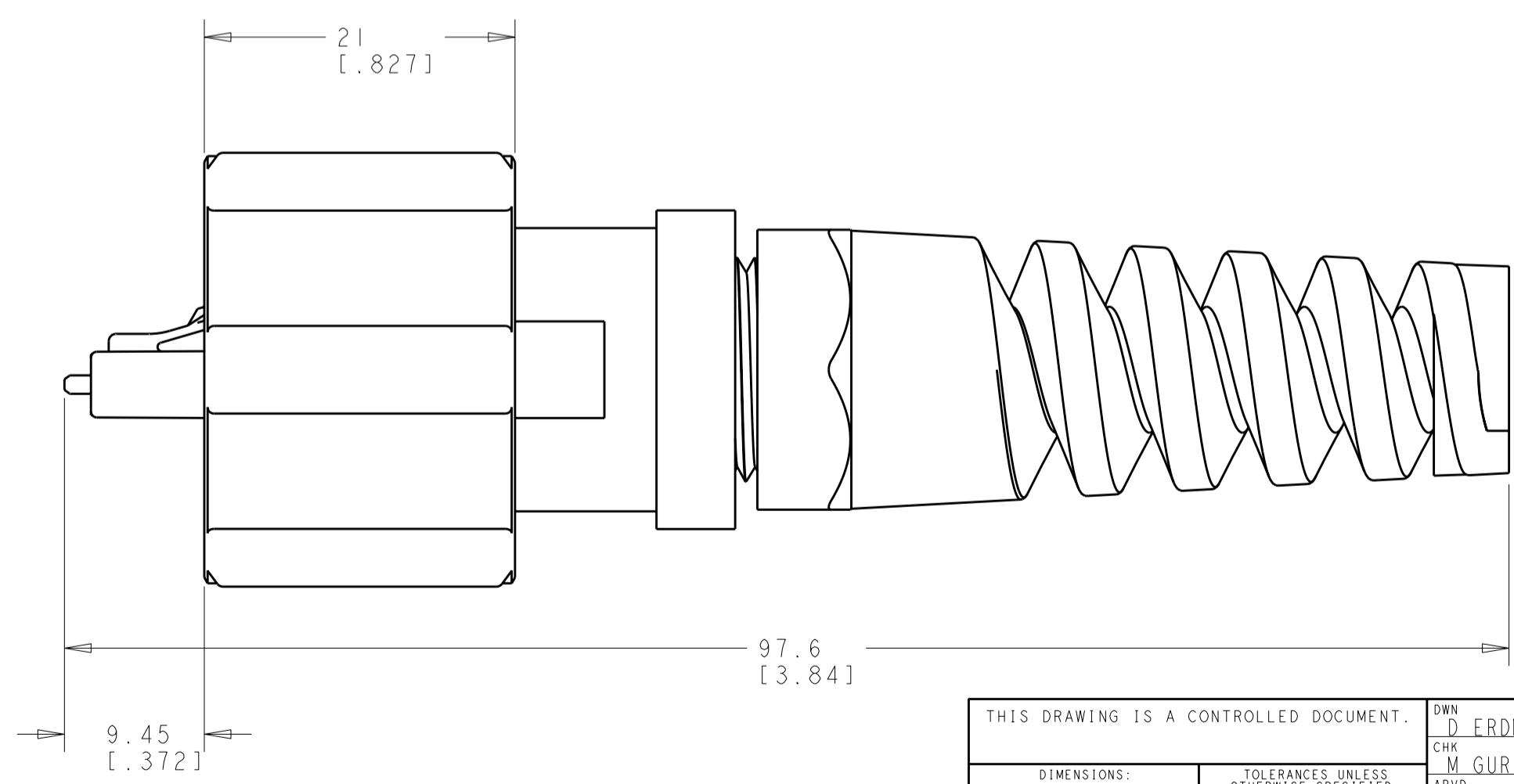
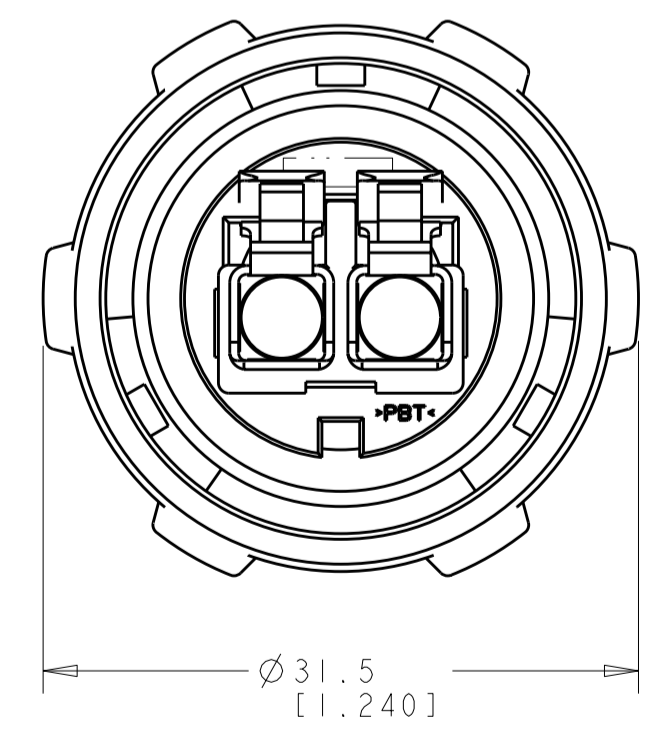
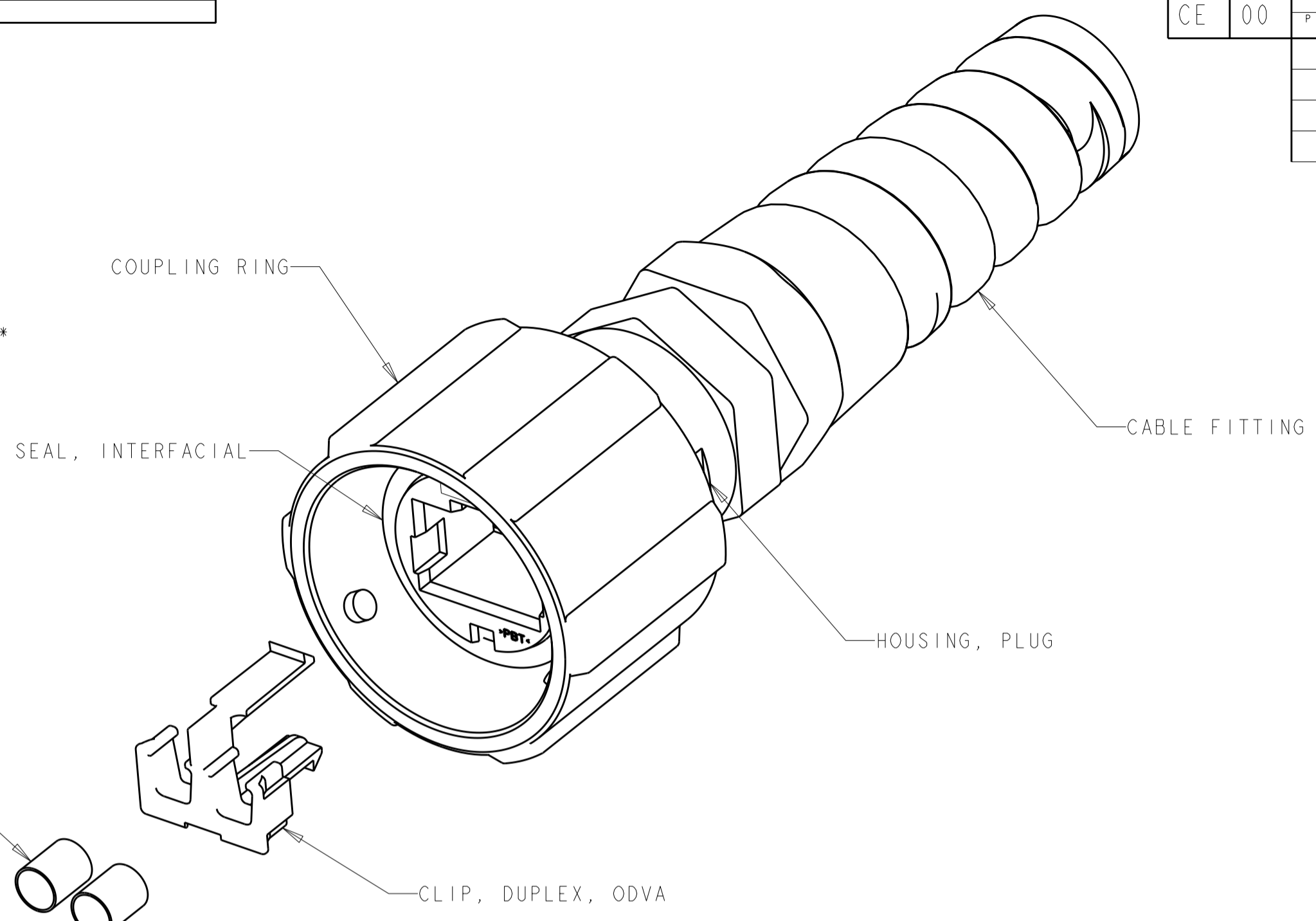
THIS DRAWING IS UNPUBLISHED. RELEASED FOR PUBLICATION 20
 © COPYRIGHT 20 BY - ALL RIGHTS RESERVED.

LOC	DIST	REVISIONS			
P	LTR	DESCRIPTION	DATE	DWN	APVD
CE	00				
	AI	REVISED PER ECO-11-005027	15MAR2011	RK	HMR

MATERIAL:
 PLUG HOUSING: PBT, COLOR: BLACK*
 COUPLING RING: PBT, COLOR: BLACK*
 CABLE FITTING: NYLON 6/6, COLOR: BLACK
 INTERFACIAL SEAL: SILICONE, COLOR: RED/ORANGE
 CRIMP EYELET: BRASS, TIN PLATED
 DUPLEX CLIP: PC, COLOR: BLACK*

LC PLUG ASSEMBLY:
 HOUSING: PET, COLOR: (-1) MM BEIGE, (-2) SM BLUE*
 FERRULE SUB ASSY: ZIRCONIA/ METAL
 COMPRESSION SPRING: SST
 INNER TUBING: PTFE*
 REAR BODY: METAL
 PROTECTIVE CAP: PPSU, COLOR: BLACK

*UL 94 V-0 RATED AT QUALIFYING THICKNESS.



SINGLEMODE	1828618-2
MULTIMODE	1828618-1
DESCRIPTION	PART NO

THIS DRAWING IS A CONTROLLED DOCUMENT.

DWN	D. ERDMAN	19MAY2005
CHK	M. GURRERI	19MAY2005
APVD	D. BAECHEL	19MAY2005

STE TE Connectivity

NAME: KIT, PLUG, INDUSTRIAL DUPLEX LC ODVA

SIZE	CAGE CODE	DRAWING NO	RESTRICTED TO
A2	00779	C-1828618	-

CUSTOMER DRAWING SCALE 5:2 SHEET 1 OF 1 REV AI

单击下面可查看定价，库存，交付和生命周期等信息

[>>TE Connectivity\(泰科\)](#)