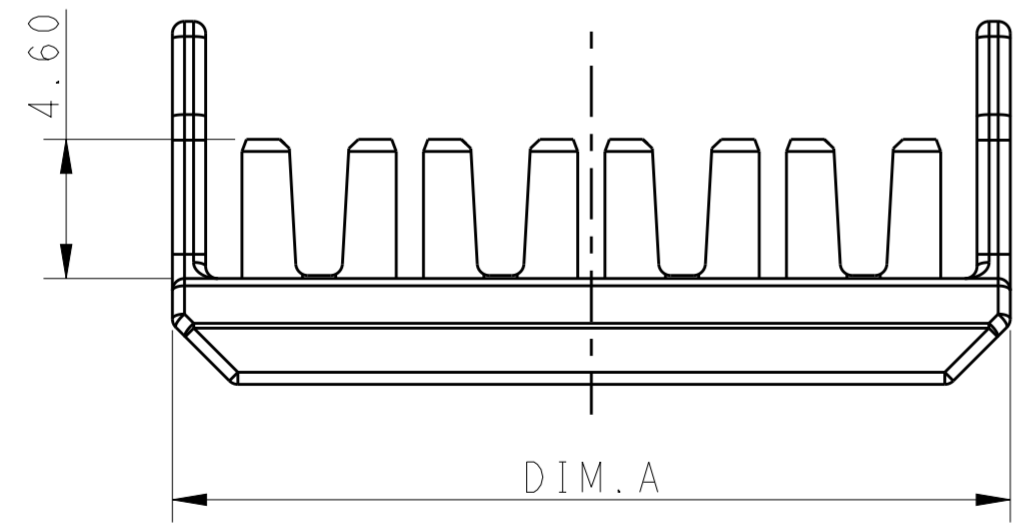
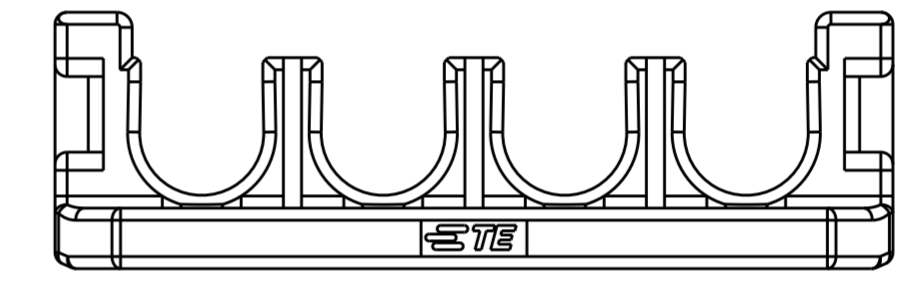
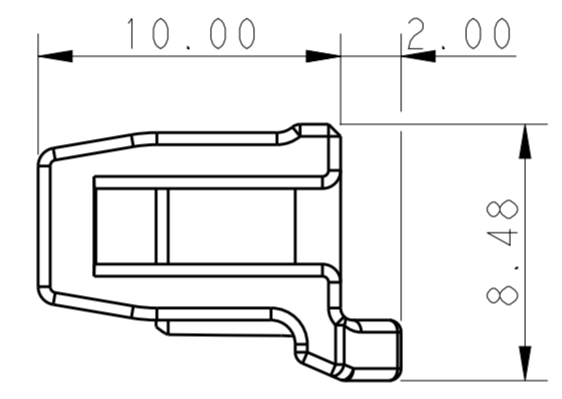
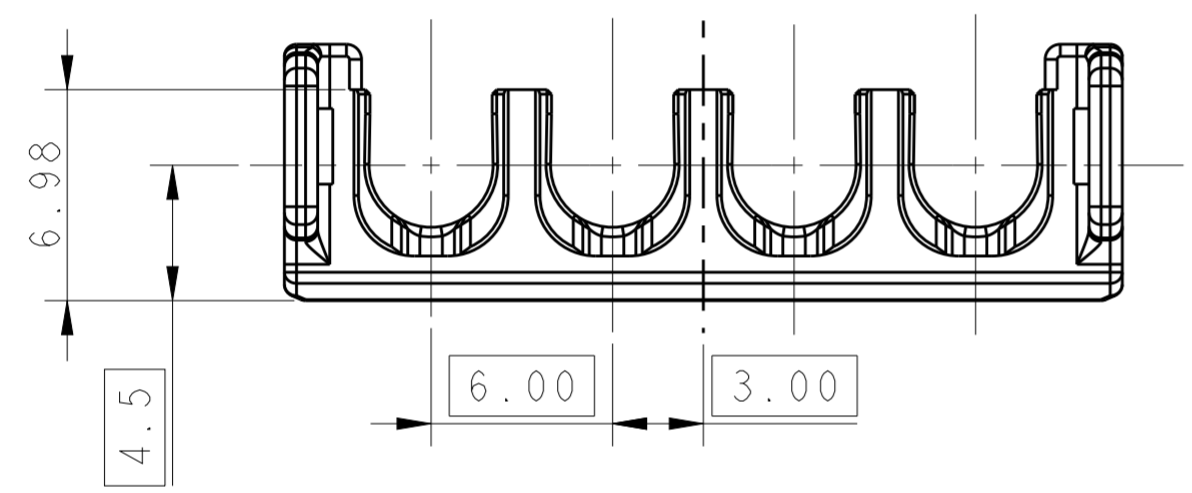
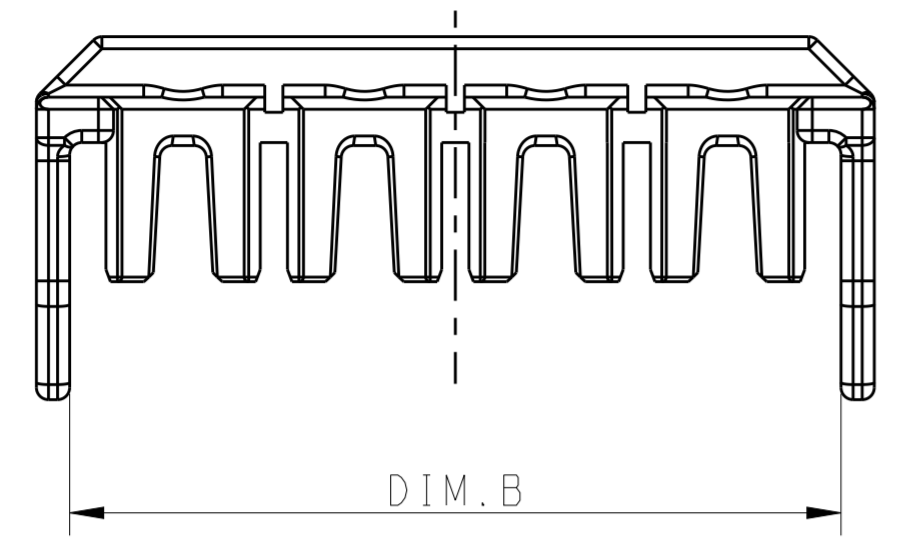


THIS DRAWING IS UNPUBLISHED. RELEASED FOR PUBLICATION 20  
 © COPYRIGHT 20 BY - ALL RIGHTS RESERVED.

| LOC |     | DIST                      |           | REVISIONS |      |  |  |
|-----|-----|---------------------------|-----------|-----------|------|--|--|
| P   | LTR | DESCRIPTION               | DATE      | DWN       | APVD |  |  |
| B1  |     | REVISED PER ECR-18-004190 | 26MAR2018 | BW        | GJ   |  |  |
| B2  |     | REVISED PER ECR-18-019428 | 27DEC2018 | BKW       | GJ   |  |  |
| C   |     | REVISED PER ECR-19-012412 | 13SEP2019 | BKW       | DS   |  |  |



| POS. | DIM.A | DIM.B |
|------|-------|-------|
| 1*5  | 33.70 | 31.5  |
| 1*4  | 27.70 | 25.5  |
| 1*3  | 21.70 | 19.5  |
| 1*2  | 15.70 | 13.5  |

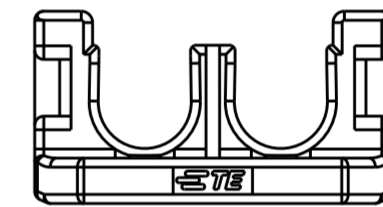
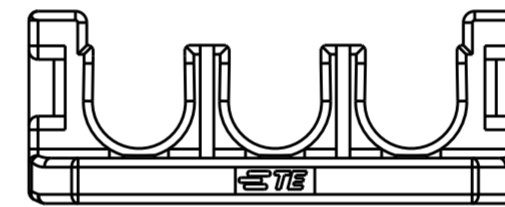
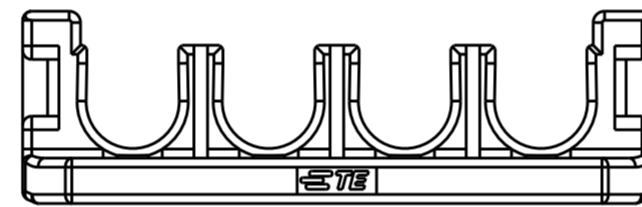
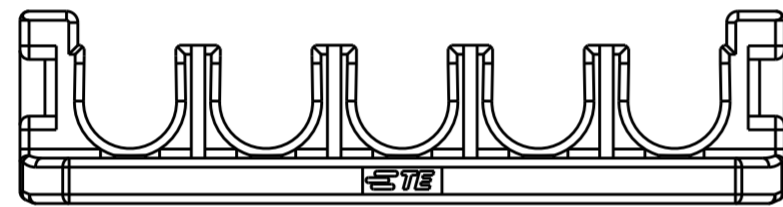
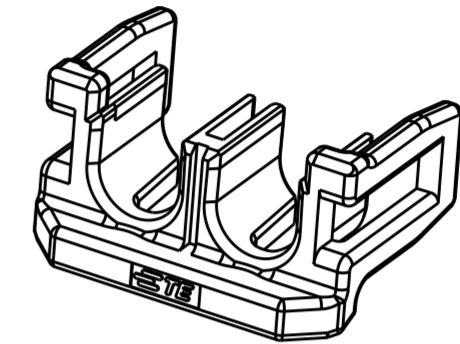
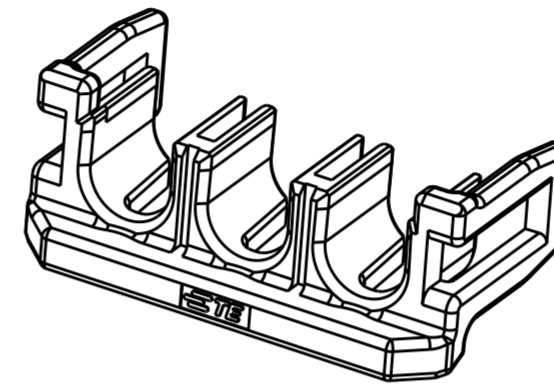
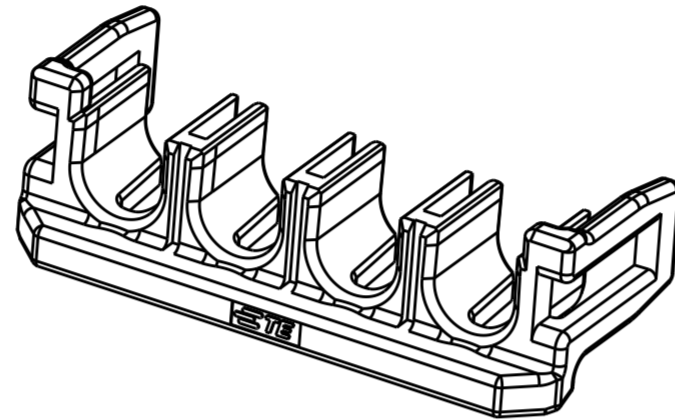
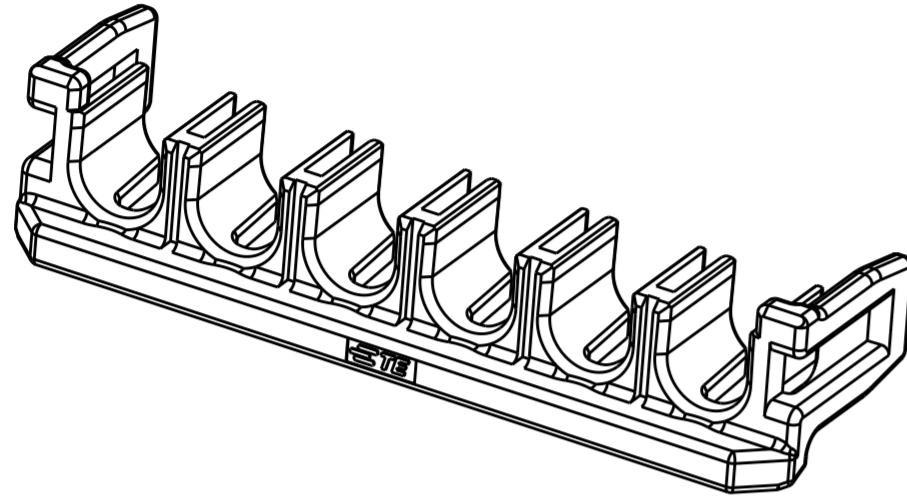
NOTE

- ① HIGH TEMP VERSIONS ARE RATED 150°C MAX AND ARE RECOMMENDED FOR USE WITH HIGH TEMP AND GLOW WIRE RATED HOUSINGS.
- ② HOT WIRE IGNITION(HWI) VERSIONS ARE MOLDED IN A RESIN THAT COMPLIES WITH TE PENDING HOT WIRE IGNITION TEST AND ARE RECOMMENDED FOR USE WITH HWI HOUSINGS THAT ALSO COMPLY.
- ③ STANDARD TEMPERATURE VERSIONS, RATED 140°C MAX ARE RECOMMENDED FOR USE WITH STANDARD TEMP AND GLOW WIRE RATED HOUSINGS.
- 4. MATING CONN, P/N  
 CAP HSG: \*-1971\*7\*-\*/\*-22322\*\*\*-\*/\*-22323\*\*\*-  
 PLUG HSG: \*-1971\*7\*-\*/\*-22322\*\*\*-\*/\*-22323\*\*\*-\*
- 5. FLAMMABILITY RATING: UL94V-0
- ⑥ PRELIMINARY - NOT RELEASED FOR PRODUCTION
- 7. THIS PRODUCT HAS NOT PASSED VALIDATION TESTING

|  |  |                             |   |  |
|--|--|-----------------------------|---|--|
| THIS DRAWING IS A CONTROLLED DOCUMENT. |  | DWN TOMMY WU 09JUL2012      | <b>STC</b> TE Connectivity              |  |
| DIMENSIONS: mm                         |  | CHK HAPYE WU 09JUL2012      |   |  |
| TOLERANCES UNLESS OTHERWISE SPECIFIED: |  | APVD YUHONG MAO 09JUL2012   | NAME TPA, SINGLE ROW POWER TRIPLE LOCK  |  |
| 0 PLC ±                                |  | PRODUCT SPEC 108-106118     | SIZE CAGE CODE DRAWING NO RESTRICTED TO |  |
| 1 PLC ±0.35                            |  | APPLICATION SPEC 114-106118 | A200779 C-1971777                       |  |
| 2 PLC ±0.25                            |  | WEIGHT -                    | SCALE - SHEET 1 OF 2 REV C              |  |
| 3 PLC ±                                |  | MATERIAL SEE TABLE          | Customer Drawing                        |  |
| 4 PLC ±                                |  |                             |   |  |
| ANGLES ±                               |  |                             |   |  |
| FINISH                                 |  |                             |   |  |

THIS DRAWING IS UNPUBLISHED. RELEASED FOR PUBLICATION 20  
 © COPYRIGHT 20 BY - ALL RIGHTS RESERVED.

| LOC |     | DIST        |      | REVISIONS |      |  |  |
|-----|-----|-------------|------|-----------|------|--|--|
| P   | LTR | DESCRIPTION | DATE | DWN       | APVD |  |  |
| -   | -   | SEE SHEET 1 | -    | -         | -    |  |  |
|     |     |             |      |           |      |  |  |
|     |     |             |      |           |      |  |  |



1\*5 POSITIONS

1\*4 POSITIONS

1\*3 POSITIONS

1\*2 POSITIONS

| COLOR   | MATERIAL   | TYPE                     | POSITIONS | P/N                    |
|---------|------------|--------------------------|-----------|------------------------|
| RED     | PBT GF     | STANDARD TEMP $\Delta_3$ | 1*5       | $\Delta_6$ 4-1971777-5 |
|         |            |                          | 1*4       | $\Delta_6$ 4-1971777-4 |
|         |            |                          | 1*3       | $\Delta_6$ 4-1971777-3 |
|         |            |                          | 1*2       | $\Delta_6$ 4-1971777-2 |
| BLACK   | PBT GF     | HWI $\Delta_2$           | 1*2       | 3-1971777-2            |
|         |            |                          | 1*5       | 2-1971777-5            |
|         |            |                          | 1*4       | 2-1971777-4            |
|         |            |                          | 1*3       | 2-1971777-3            |
| NATURAL | PBT GF     | HWI $\Delta_2$           | 1*2       | 2-1971777-2            |
|         |            |                          | 1*5       | 1971777-5              |
|         |            |                          | 1*4       | 1971777-4              |
|         |            |                          | 1*3       | 1971777-3              |
| BLACK   | NYLON PA66 | HIGH TEMP $\Delta_1$     | 1*2       | 1971777-2              |
|         |            |                          | 1*4       | 1971777-4              |
|         |            |                          | 1*3       | 1971777-3              |

|   |  |                                |   |                    |
|---|--|--------------------------------|---|--------------------|
| THIS DRAWING IS A CONTROLLED DOCUMENT.  |  | DWN 09JUL2012<br>TOMMY WU      | TE Connectivity                           |                    |
| DIMENSIONS: mm  |  | CHK 09JUL2012<br>HAPYE WU      |   |                    |
| TOLERANCES UNLESS OTHERWISE SPECIFIED:  |  | APVD 09JUL2012<br>YUHONG MAO   | NAME<br>TPA, SINGLE ROW POWER TRIPLE LOCK |                    |
| 0 PLC ±<br>1 PLC ±0.35<br>2 PLC ±0.25<br>3 PLC ±<br>4 PLC ±<br>ANGLES ±<br>FINISH ± |  | PRODUCT SPEC<br>108-106118     | SIZE<br>A2                                | CAGE CODE<br>00779 |
| MATERIAL<br>SEE TABLE   |  | APPLICATION SPEC<br>114-106118 | DRAWING NO<br>C-1971777                   | RESTRICTED TO<br>- |
|   |  | WEIGHT<br>-                    | SCALE<br>-                                | SHEET 2 OF 2       |
|   |  | Customer Drawing               | REV<br>C                                  |                    |

单击下面可查看定价，库存，交付和生命周期等信息

[>>TE Connectivity\(泰科\)](#)