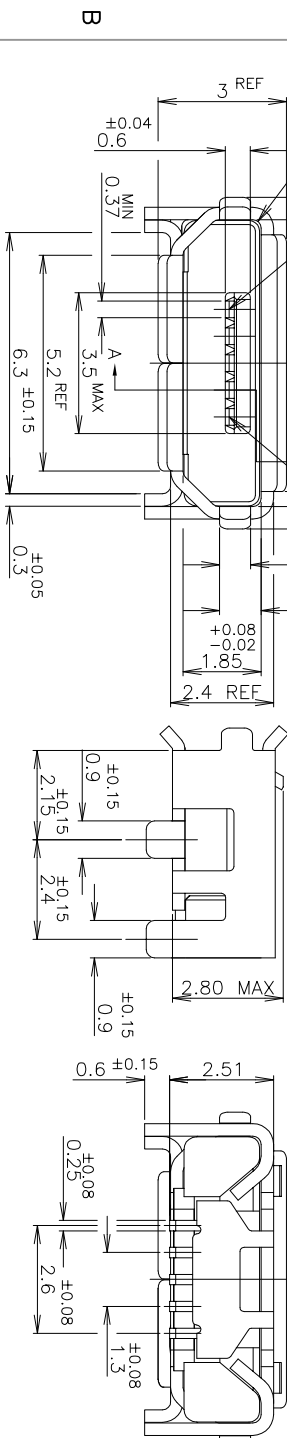
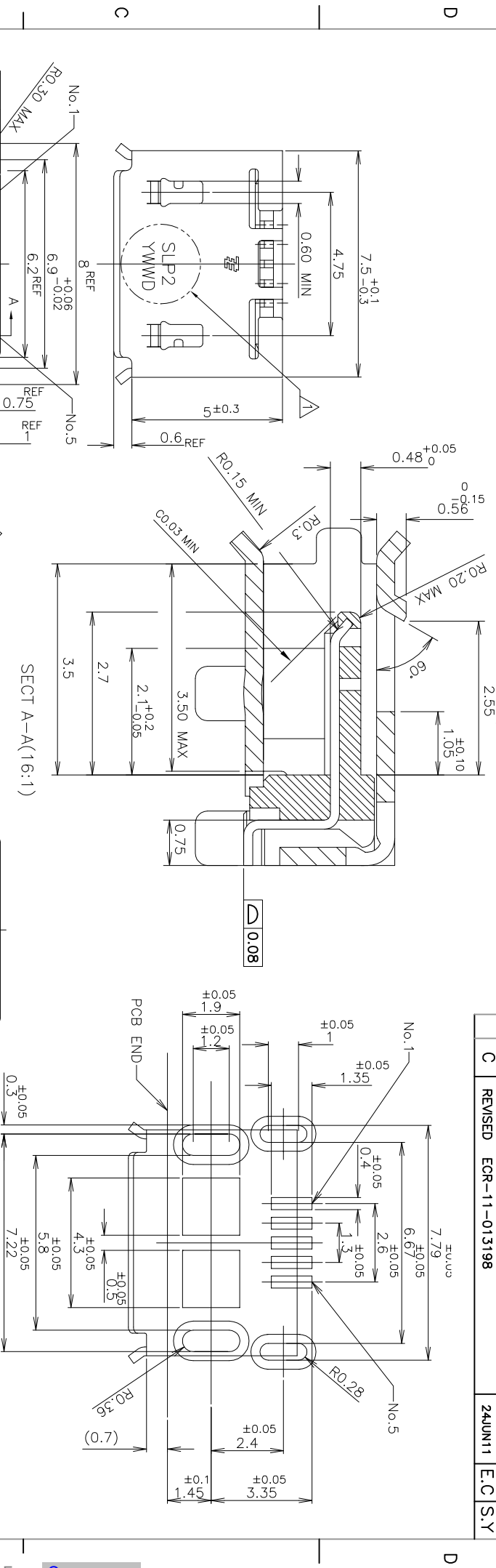


REVISIONS		DATE	DMN	APRD
P	LTR	DESCRIPTION		
C	REVISED	ECR-11-013198	24JUN11	E.C S.Y



PCB LAYOUT(REFERENCE)
 (VIEWED FROM CONNECTOR MOUNT SIDE)

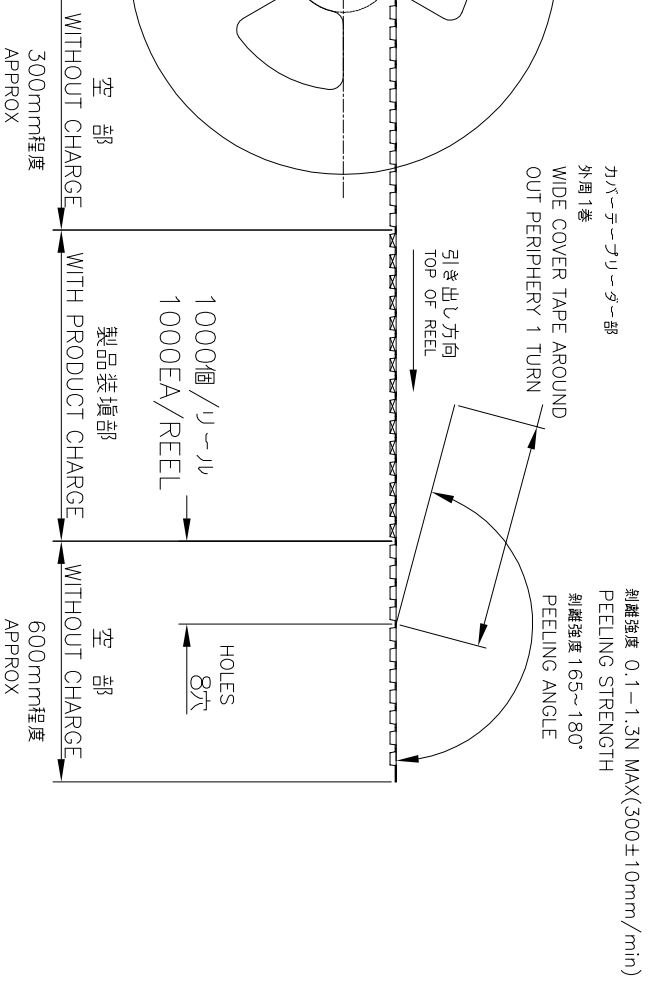
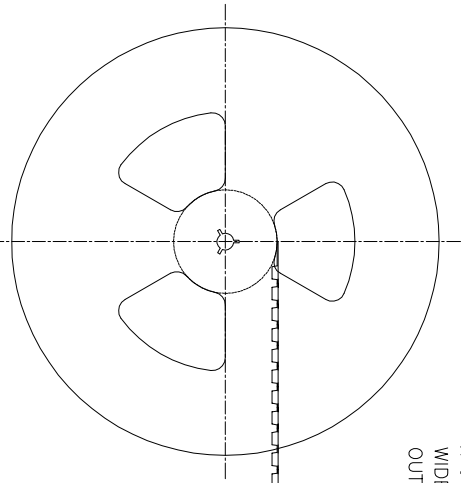
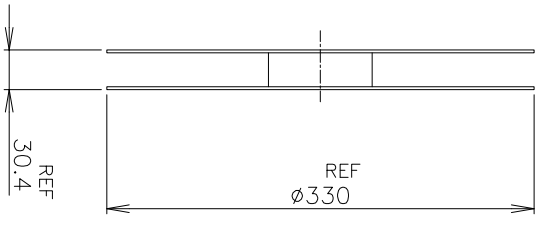
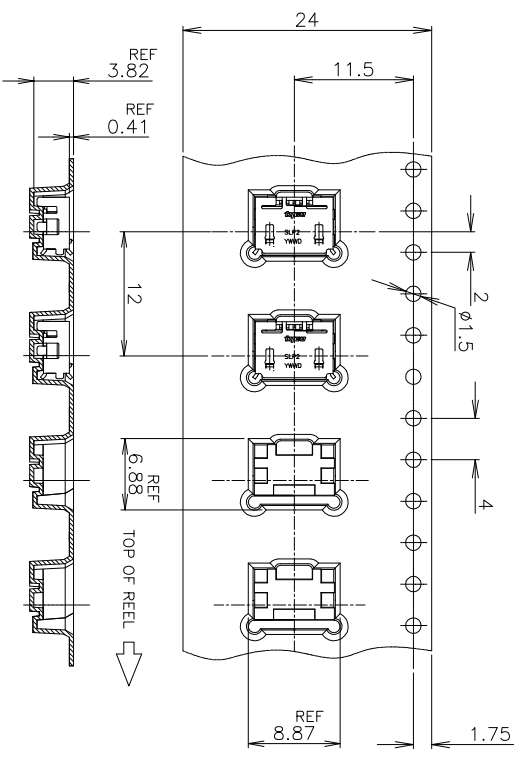
- △ DATE CODE AND VERSION MARKING
 2. OVERALL TOLERANCE: ±0.2
 3. MATERIAL HOUSING : THERMOPLASTIC RESIN UL94V-0
 CONTACT : COPPER ALLOY
 SHELL : STAINLESS STEEL
 4. FINISH CONTACT : NI UNDER PL
 Au PL OVER NI PL AT CONTACT AREA
 SHELL : NI UNDER PL
 Sn PL

THIS DRAWING IS A CONTROLLED DOCUMENT.

DIMENSIONS: 単位:mm	TOLERANCES UNLESS OTHERWISE SPECIFIED: 一般公差
0 PIC ±	±
1 PIC ±	±
2 PIC ±	±
3 PIC ±	±
4 PIC ±	±
ANGLES	± 10
FINISH	在上

DMN J.TSUJII	09APR2008	NAME Tyco Electronics AMP K.K.
CHK T.KUSUHARA	09APR2008	NAME Kawasaki,Japan
APRD T.KUSUHARA	09APR2008	SIZE A3
PRODUCT SPEC 製品規格 108-78434	APPLICATION SPEC 取付用規格	DATE CODE 00779
WEIGHT	CUSTOMER DRAWING	DRAWING NO 2040002
		SCALE 尺数 8:1
		SHEET 1 of 2
		REV C

REV	DESCRIPTION	DATE	DMN	APD
1	SEE SHEET 1	-	-	-



THIS DRAWING IS A CONTROLLED DOCUMENT.

DMN	DMN	NAME	Tyco Electronics
CHK	CHK	NAME	Kawasaki, Japan
APD	APD	NAME	Tyco Electronics AMP K.K.

PRODUCT SPEC	製品規格	SIZE	A3
APPLICATION SPEC	取付適用規格	PAGE CODE	00779
WEIGHT	重量	DRAWING NO	2040002

DIAMENSIONS: 単位: 単位	TOLERANCES UNLESS OTHERWISE SPECIFIED: 一般公差	PRODUCT SPEC	製品規格
0 PLG ±	0 PLG ±	APPLICATION SPEC	取付適用規格
1 PLG ±	1 PLG ±	WEIGHT	重量
2 PLG ±	2 PLG ±	CUSTOMER DRAWING	
3 PLG ±	3 PLG ±		
4 PLG ±	4 PLG ±		

单击下面可查看定价，库存，交付和生命周期等信息

[>>TE Connectivity\(泰科\)](#)