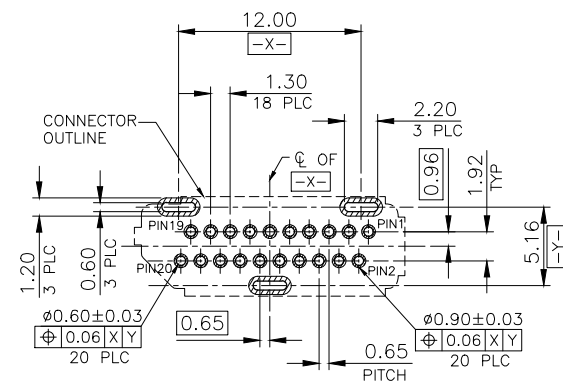
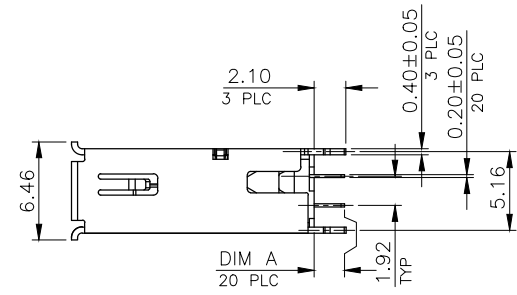
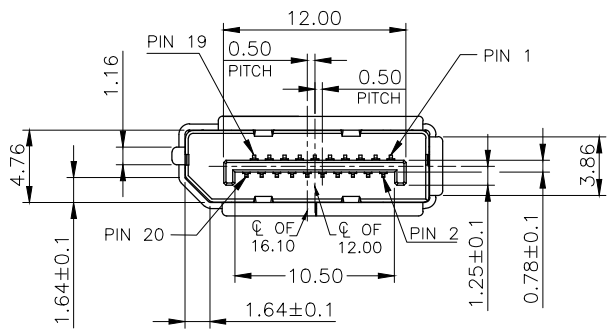
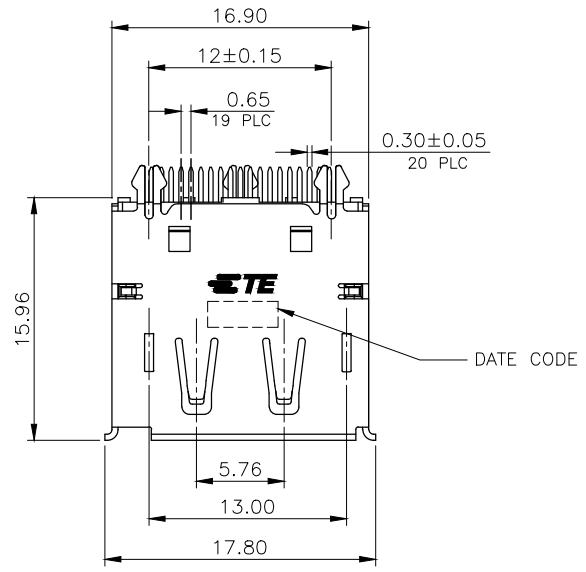


THIS DRAWING IS UNPUBLISHED. RELEASED FOR PUBLICATION  
 © COPYRIGHT 2011 BY TE CONNECTIVITY. ALL RIGHTS RESERVED.

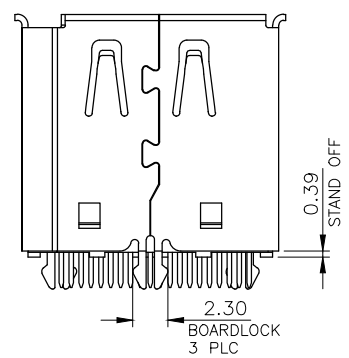
LOC	DIST	REVISIONS					
DW		P	LTR	DESCRIPTION	DATE	DWN	APVD
		D1		REVISED PER ECR-15-005460	08MAY15	S.C.	H.L.

NOTE:

- MATERIAL:
  - HOUSING/SPACER: LCP WITH 30% GF, UL94 V-0, BLACK COLOR.
  - SHELL: PHOSPHOR BRONZE
  - CONTACT: BRASS
- FINISH:
  - CONTACT:
    - (SEE TABLE) GLOD PLATED ON CONTACT AREA
    - 2.54µm [100µ"] MIN. MATTE-TIN ON SOLDER TAIL
    - 1.27µm [50µ"] MIN. NICKEL UNDERPLATE OVERALL
  - SHELL:
    - 1.27µm [50µ"] MIN. NICKEL UNDERPLATING OVERALL.
- REFLOW SOLDER CAPABLE TO 260°C PER TEC-109-201.
- LOW HALOGEN SPECIFICATION:
  - CHLORINE(CL): 900 ppm MAX.
  - BROMINE(BR): 900 ppm MAX.
  - CL + BR : 1500 ppm MAX.



RECOMMENDED P.C.B LAYOUT <TOP VIEW>  
 THICKNESS: 1.60mm, TOLERANCE: ±0.05mm

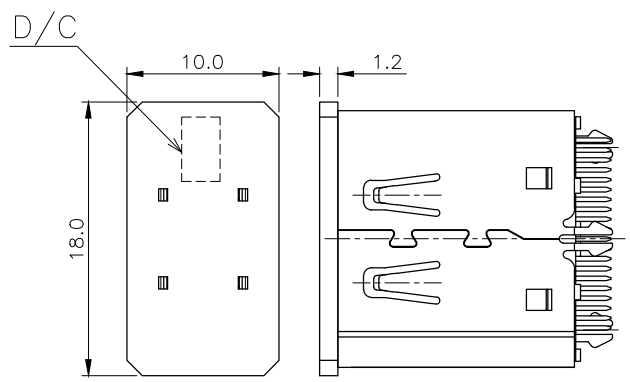
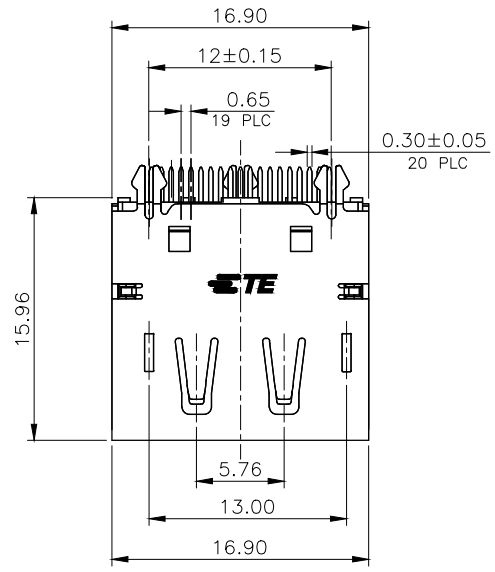


0.381µm [15µ"]	2.10	2041441-3
0.381µm [15µ"]	2.50	2041441-2
0.762µm [30µ"]	2.10	2041441-1
MIN. GOLD THICKNESS	DIM A	PART NUMBER

THIS DRAWING IS A CONTROLLED DOCUMENT.		DWN J. LAI 12DEC2011	TE Connectivity	
DIMENSIONS: mm		CHK S. CHIEN 12DEC2011		
TOLERANCES UNLESS OTHERWISE SPECIFIED:		APVD W. KODAMA 12DEC2011	NAME	
0 PLC ± - 1 PLC ± 0.3 2 PLC ± 0.2 3 PLC ± 0.15 4 PLC ± - ANGLES ± 3°		PRODUCT SPEC 108-57889	DISPLAYPORT CONNECTOR, 20 POSITION, VERTICAL, DIP TYPE	
MATERIAL SEE NOTE		APPLICATION SPEC	SIZE A3	CAGE CODE 00779
FINISH SEE NOTE		WEIGHT 2.86 GRAMS	DRAWING NO C=2041441	RESTRICTED TO
CUSTOMER DRAWING			SCALE	SHEET 1 of 4
			REV	D1

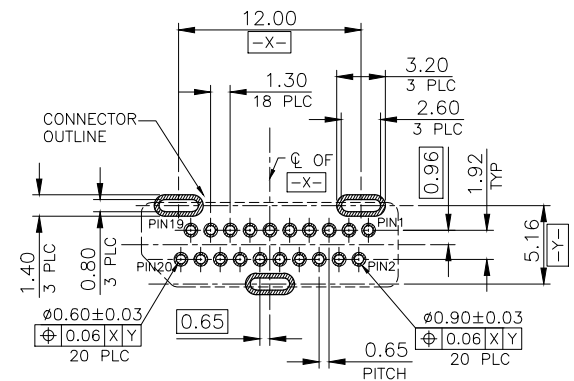
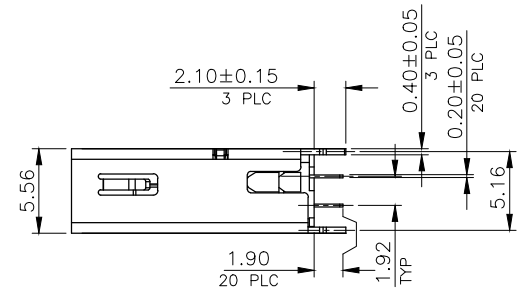
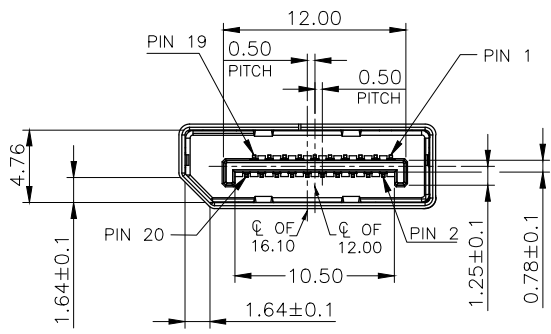
THIS DRAWING IS UNPUBLISHED. RELEASED FOR PUBLICATION  
 © COPYRIGHT 2011 BY TE CONNECTIVITY. ALL RIGHTS RESERVED.

LOC	DIST	REVISIONS					
DW		P	LTR	DESCRIPTION	DATE	DWN	APVD
		-		SEE SHEET 1	-	-	-

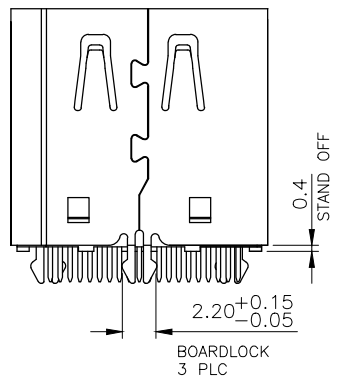


WITH CAP VIEW

- NOTE:
- MATERIAL:
    - 1.1.HOUSING/SPACER: LCP WITH 30% GF, UL94 V-0, BLACK COLOR.
    - 1.2.SHELL: PHOSPHOR BRONZE
    - 1.3.CONTACT: BRASS
  - FINISH:
    - 2.1 CONTACT:
      - (SEE TABLE) GLOD PLATED ON CONTACT AREA
      - 2.54µm [100µ"] MIN. MATTE-TIN ON SOLDER TAIL
      - 1.27µm [50µ"] MIN. NICKEL UNDERPLATE OVERALL
    - 2.2 SHELL:
      - 1.27µm [50µ"] MIN. NICKEL UNDERPLATING OVERALL.
  - REFLOW SOLDER CAPABLE TO 260°C PER TEC-109-201.
  - LOW HALOGEN SPECIFICATION:
    - CHLORINE(CL): 900 ppm MAX.
    - BROMINE(BR): 900 ppm MAX.
    - CL + BR : 1500 ppm MAX.



RECOMMENDED P.C.B LAYOUT <TOP VIEW>  
 THICKNESS: 1.60mm, TOLERANCE: ±0.05mm

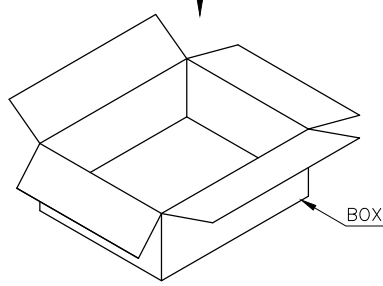
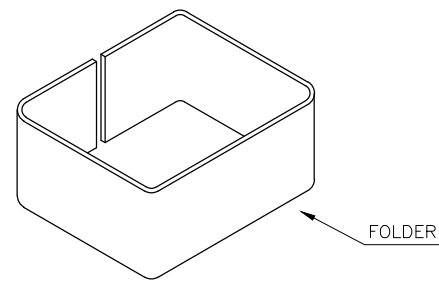
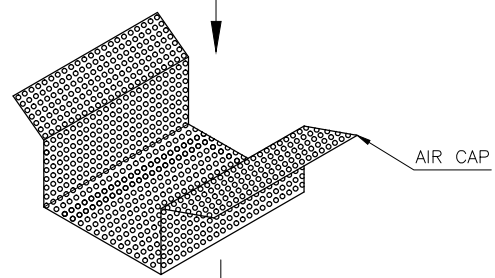
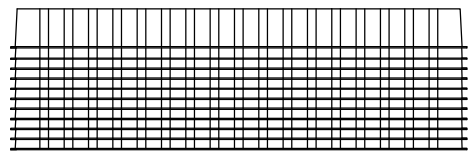
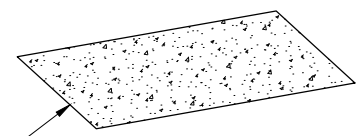
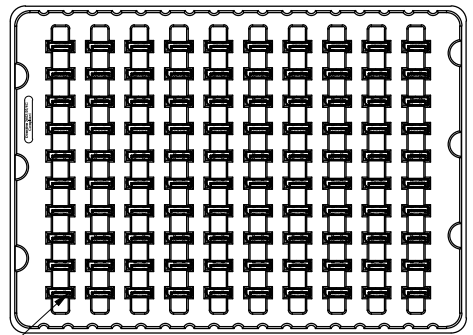
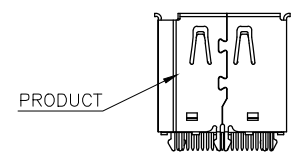


0.381µm [15µ"]	1-2041441-2
MIN. GOLD THICKNESS	PART NUMBER

THIS DRAWING IS A CONTROLLED DOCUMENT.		DWN	J. LAI	12DEC2011	TE Connectivity		
DIMENSIONS: mm		CHK	S. CHIEN	12DEC2011			
TOLERANCES UNLESS OTHERWISE SPECIFIED:		APVD	W. KODAMA	12DEC2011	NAME		
0 PLC ± - 1 PLC ± 0.3 2 PLC ± 0.2 3 PLC ± 0.15 4 PLC ± - ANGLES ± 3°		PRODUCT SPEC		108-57889			
MATERIAL SEE NOTE		APPLICATION SPEC		SIZE			
FINISH SEE NOTE		WEIGHT		2.8 GRAMS		CAGE CODE	
		CUSTOMER DRAWING		A300779		DRAWING NO	
				C=2041441		RESTRICTED TO	
				SCALE		SHEET	
				2 of 4		REV	
						D1	

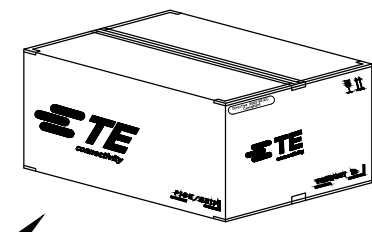
THIS DRAWING IS UNPUBLISHED. RELEASED FOR PUBLICATION  
 © COPYRIGHT 2011 BY TE CONNECTIVITY. ALL RIGHTS RESERVED.

LOC	DIST	REVISIONS					
DW		P	LTR	DESCRIPTION	DATE	DWN	APVD
				SEE SHEET 1.			



NOTES:

- MATERIAL:  
 TRAY: PET  
 SPONGE: EPS  
 AIR CAP: PE  
 FOLDER: SINGLE WALL CORRUGATED.  
 BOX: FIBREBOARD, CORRUGATED, DOUBLE WALL.
- DIMENSION:  
 TRAY: L=300mm, W=215mm, H=20.8mm  
 SPONGE: L=330mm, W=220mm, H=0.5mm  
 AIR CAP: L=850mm, W=315mm, H=8mm  
 FOLDER: L=1100mm, W=130mm, H=3mm  
 BOX: L=325mm, W=250mm, H=232mm



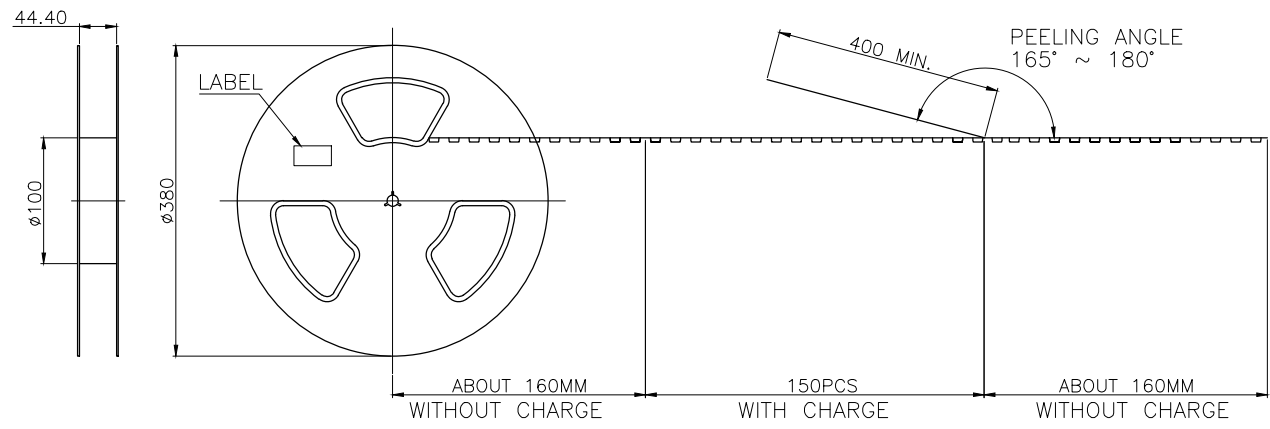
FOR PN 2041441-1,2041441-2,2041441-3

1000	10	100	2.84 Kg	5.62 Kg
PCS /BOX	TRAYS /BOX	PCS /TRAY	NET WEIGHT	GROSS WEIGHT

THIS DRAWING IS A CONTROLLED DOCUMENT.		DWN	TE Connectivity		
DIMENSIONS: mm		CHK	NAME		
TOLERANCES UNLESS OTHERWISE SPECIFIED:		APVD	DISPLAYPORT CONNECTOR, 20 POSITION, VERTICAL, DIP TYPE		
0 PLC ± -		PRODUCT SPEC	SIZE	CAGE CODE	DRAWING NO
1 PLC ± 0.3		APPLICATION SPEC	A3	00779	C=2041441
2 PLC ± 0.2		WEIGHT	RESTRICTED TO		
3 PLC ± 0.15		CUSTOMER DRAWING	SCALE	SHEET	REV
4 PLC ± -				3 of 4	D1
ANGLES ± 3'					
MATERIAL	FINISH				

THIS DRAWING IS UNPUBLISHED. RELEASED FOR PUBLICATION  
 © COPYRIGHT 2011 BY TE CONNECTIVITY. ALL RIGHTS RESERVED.

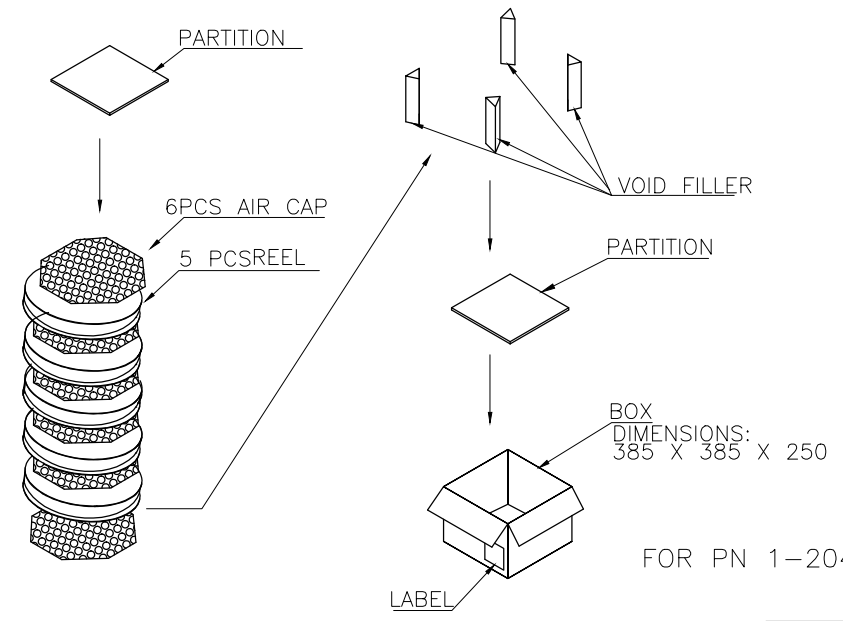
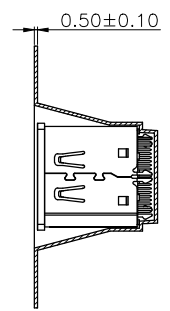
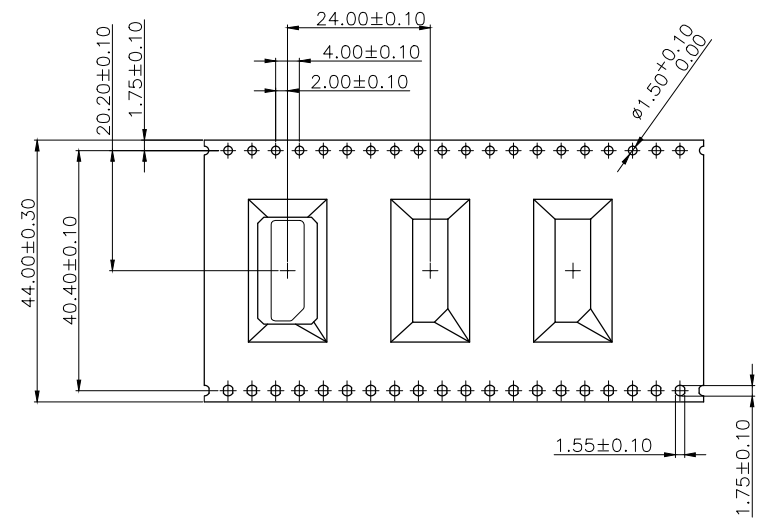
LOC	DIST	REVISIONS					
DW		P	LTR	DESCRIPTION	DATE	DWN	APVD
		-		SEE SHEET 1	-	-	-



NOTES:

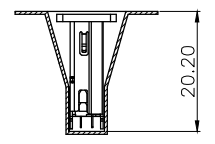
- MATERIAL:  
 BOX: FIBREBOARD, CORRUGATED, DOUBLE WALL.  
 COVER TAPE: PET, TRANSPARENT COLOR.  
 CARRIER TAPE: POLYSTYRENES, BLACK COLOR.  
 REEL: POLYSTYRENES, BLUE COLOR.
- PEELING STRENGTH: 0.1 ~ 1.3 N (10 ~ 130 GRAMS)
- PEELING SPEED: 300 mm/min.

USER DIRECTION OF UNREELING →



FOR PN 1-2041441-2

150	5	750
PCS/REEL	REELS/BOX	PCS/BOX



THIS DRAWING IS A CONTROLLED DOCUMENT.		DWN	-	<b>STE</b> TE Connectivity	
DIMENSIONS: MM		CHK	-		
TOLERANCES UNLESS OTHERWISE SPECIFIED:		APVD	-	NAME	
0 PLC ±		PRODUCT SPEC		DISPLAYPORT CONNECTOR, 20 POSITION, VERTICAL, DIP TYPE	
1 PLC ±		APPLICATION SPEC		SIZE	A3
2 PLC ±		WEIGHT		CAGE CODE	00779
3 PLC ±		CUSTOMER DRAWING		DRAWING NO	C=2041441
4 PLC ±		SCALE		RESTRICTED TO	-
ANGLES ±		SHEET		4 of 4	
MATERIAL SEE NOTE		FINISH		REV D1	

单击下面可查看定价，库存，交付和生命周期等信息

[>>TE Connectivity\(泰科\)](#)