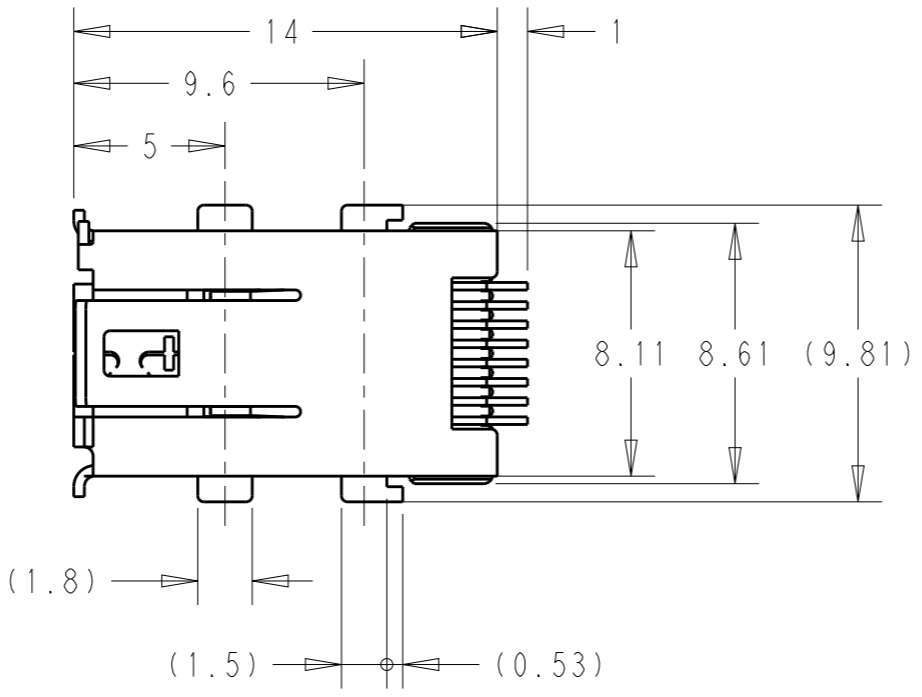
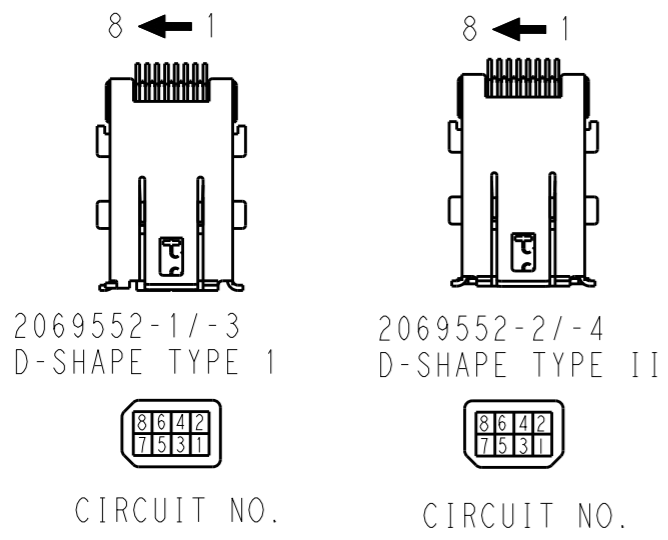
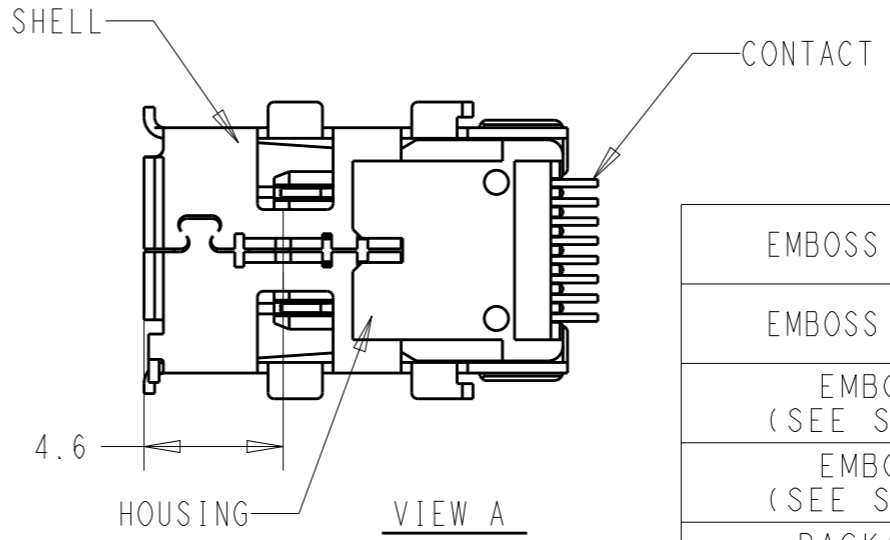
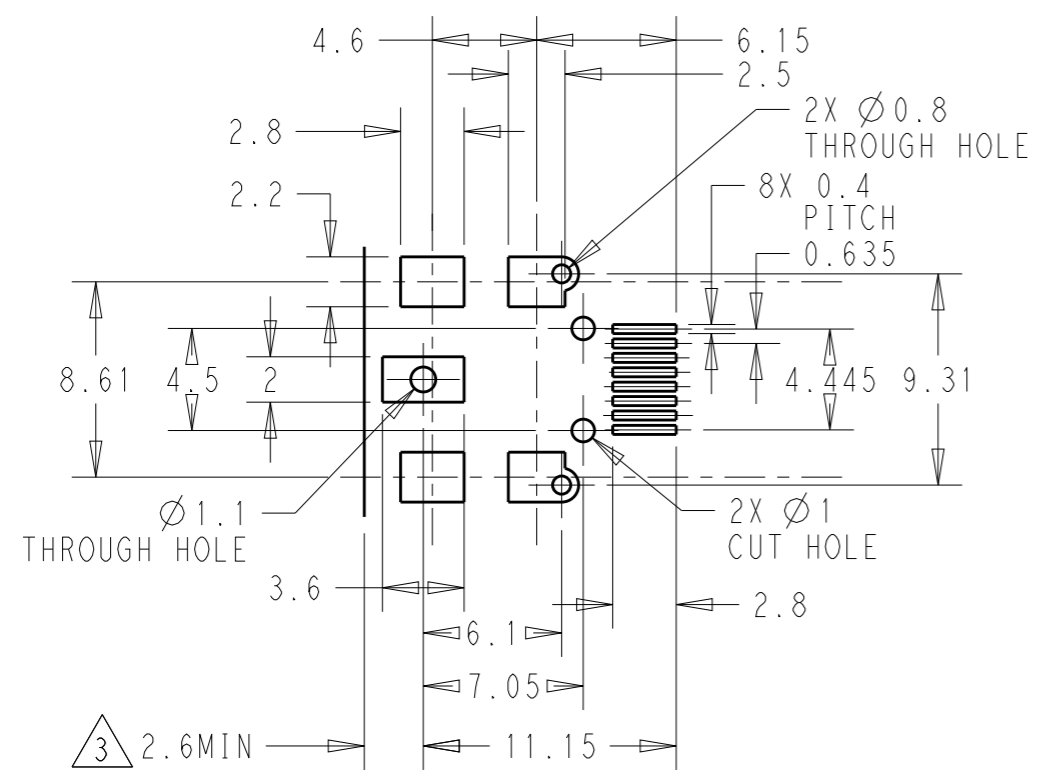
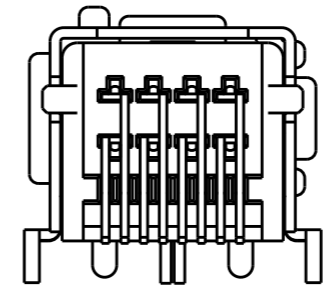
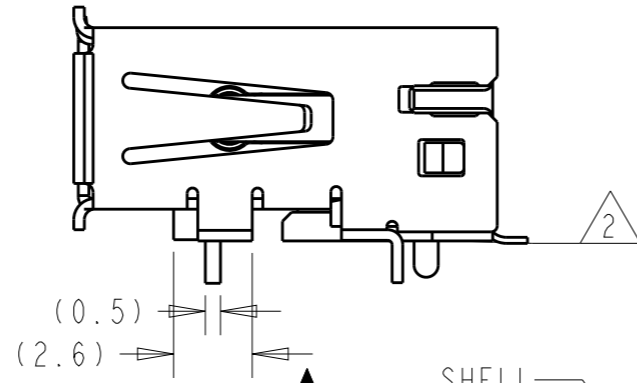
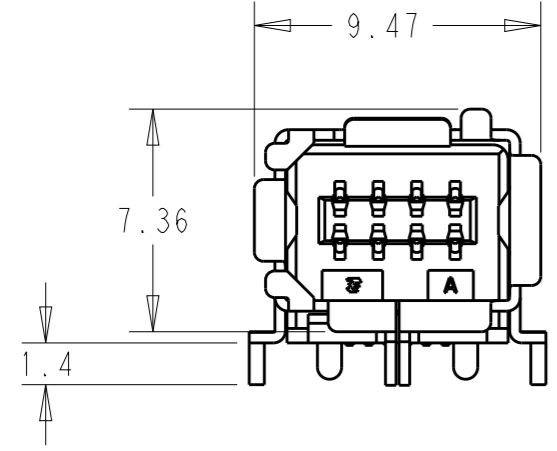


THIS DRAWING IS UNPUBLISHED. RELEASED FOR PUBLICATION
 © COPYRIGHT - BY TE CONNECTIVITY ALL RIGHTS RESERVED.

REVISIONS					
P	LTR	DESCRIPTION	DATE	DWN	APVD
B		REVISED	28APR2014	T.S	N.Y
C		REVISED PER ECR-17-018177	14DEC2017	TS	EI
D		REVISED PER ECR-19-003686	07MAR2019	PP	JDB



- 1 MATERIAL AND FINISH
 CONTACT
 COPPER ALLOY
 UNDER ALL SURFACE Ni 1.27µm MIN
 TOP CONTACT AREA Au 0.5µm MIN
 SOLDERING AREA Au FLASH
 HOUSING
 THERMO PLASTIC(UL94V-0)
 SHELL
 COPPER ALLOY
 UNDER ALL SURFACE Ni
 TOP ALL SURFACE Sn
- 2 COPLANARITY 0.1 MAX(TOP OF LEAD)
- 3 DIMENSION DECIDED BY CUSTOMER.



EMBOSS TAPING MSD L5	TYPE II	2069552-4
EMBOSS TAPING MSD L5	TYPE I	2069552-3
EMBOSS TAPING (SEE SHEET 2 OF 2)	TYPE II	2069552-2
EMBOSS TAPING (SEE SHEET 2 OF 2)	TYPE I	2069552-1
PACKAGING STYLE	D-SHAPE	PART NO.

RECOMMENDED BOARD DIMENSION
 (CONNECTOR SIDE) ±1.6
 TOLERANCE ±0.05

THIS DRAWING IS A CONTROLLED DOCUMENT.		DWN S. INOMATA 12NOV2008	TE TE Connectivity	
DIMENSIONS: mm		CHK I. HASAGAWA 12NOV2008		
TOLERANCES UNLESS OTHERWISE SPECIFIED: ±0.2		APVD I. HASAGAWA 12NOV2008	NAME INDUSTRIAL MINI I/O CONN. 1.27MM PITCH 8P HDR ASSY EMBOSS TAPING	
<ul style="list-style-type: none"> 0 PLC ± 1 PLC ± 2 PLC ± 3 PLC ± 4 PLC ± ANGLES ± 		PRODUCT SPEC 108-78405	SIZE A3	
MATERIAL 1		APPLICATION SPEC -	CAGE CODE -	DRAWING NO. C-2069552
FINISH 1		WEIGHT -	RESTRICTED TO -	SCALE 3:1 SHEET 1 OF 2 REV D
CUSTOMER DRAWING				

THIS DRAWING IS UNPUBLISHED.

RELEASED FOR PUBLICATION

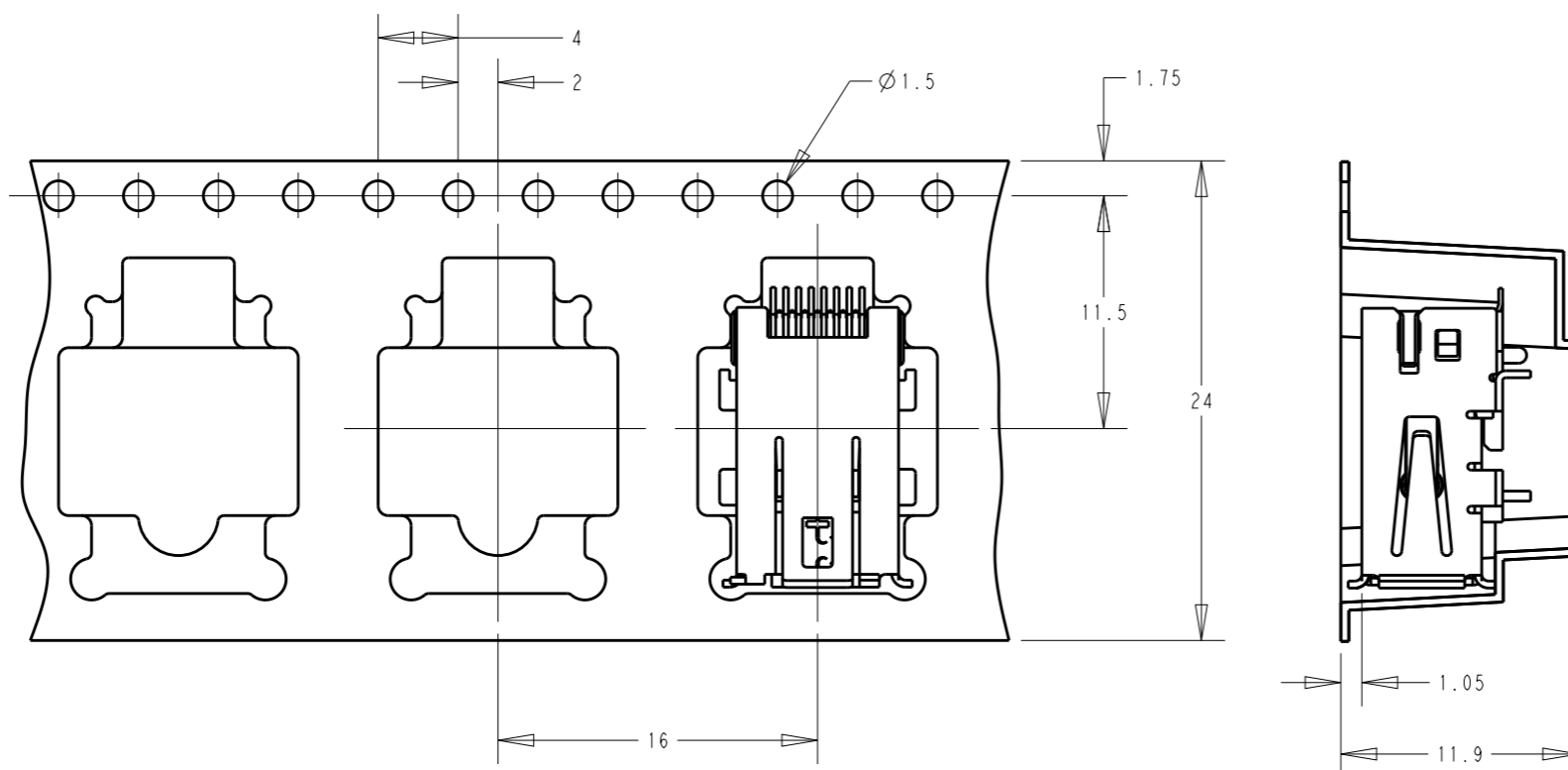
© COPYRIGHT - BY TE CONNECTIVITY

ALL RIGHTS RESERVED.

REVISIONS

P	LTR	DESCRIPTION	DATE	DWN	APVD
-	-	SEE SHEET 1	-	-	-

UNREEL DIRECTION →



4. MATERIAL : CONDUCTIVE POLY STYLENE (+0.4mm)
 5. PRODUCT QUANTITY : 300MIN/1REEL

THIS DRAWING IS A CONTROLLED DOCUMENT.		DWN	TE Connectivity		
DIMENSIONS: mm		CHK			
TOLERANCES UNLESS OTHERWISE SPECIFIED: ±0.5		APVD	NAME INDUSTRIAL MINI I/O CONN. 1.27MM PITCH 8P HDR ASSY EMBOSS TAPING		
<ul style="list-style-type: none"> 0 - PLC ± 1 - PLC ± 2 - PLC ± 3 - PLC ± 4 - PLC ± ANGLES ± FINISH 		PRODUCT SPEC	SIZE A3		
MATERIAL		APPLICATION SPEC	CAGE CODE	DRAWING NO	RESTRICTED TO
		WEIGHT	-	©-2069552	-
		CUSTOMER DRAWING	SCALE	SHEET	REV
			3:1	2 OF 2	D

单击下面可查看定价，库存，交付和生命周期等信息

[>>TE Connectivity\(泰科\)](#)