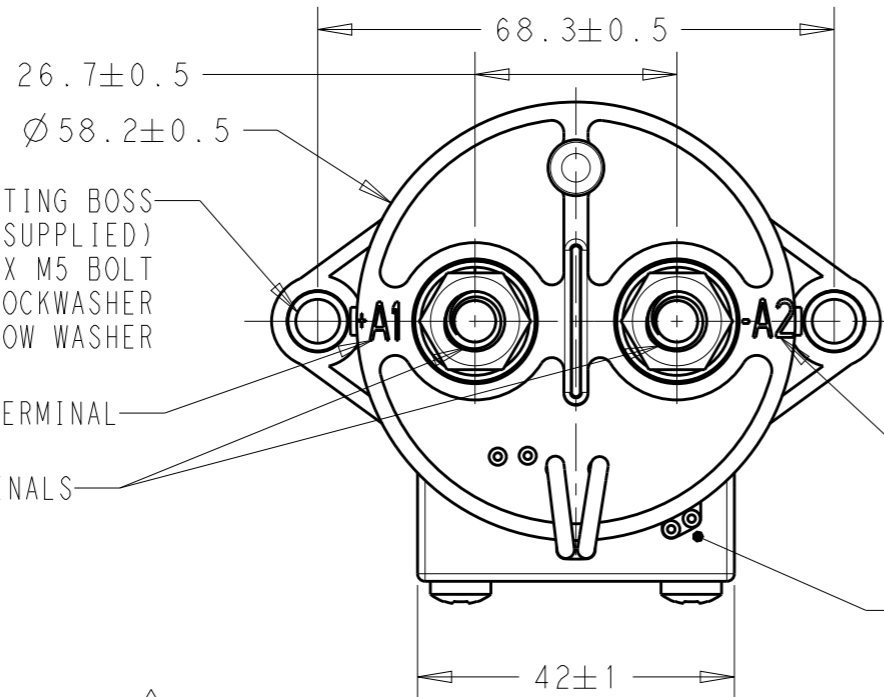


REVISIONS

P	LTR	DESCRIPTION	DATE	DWN	APVD
A		RELEASE	06SEP2016	X.Z	S.Z
B		ECO-18-016894 combine QR code to label	25OCT2018	T.Z	XN.Z

2X M5 MOUNTING BOSS  
MOUNTING HARDWARE (NOT SUPPLIED)  
2X M5 BOLT  
2X M5 LOCKWASHER  
2X M5 NARROW WASHER



1 M8 X 1.25 POWER TERMINALS (HARDWARE SUPPLIED)

A1 "+" POSITION TERMINAL

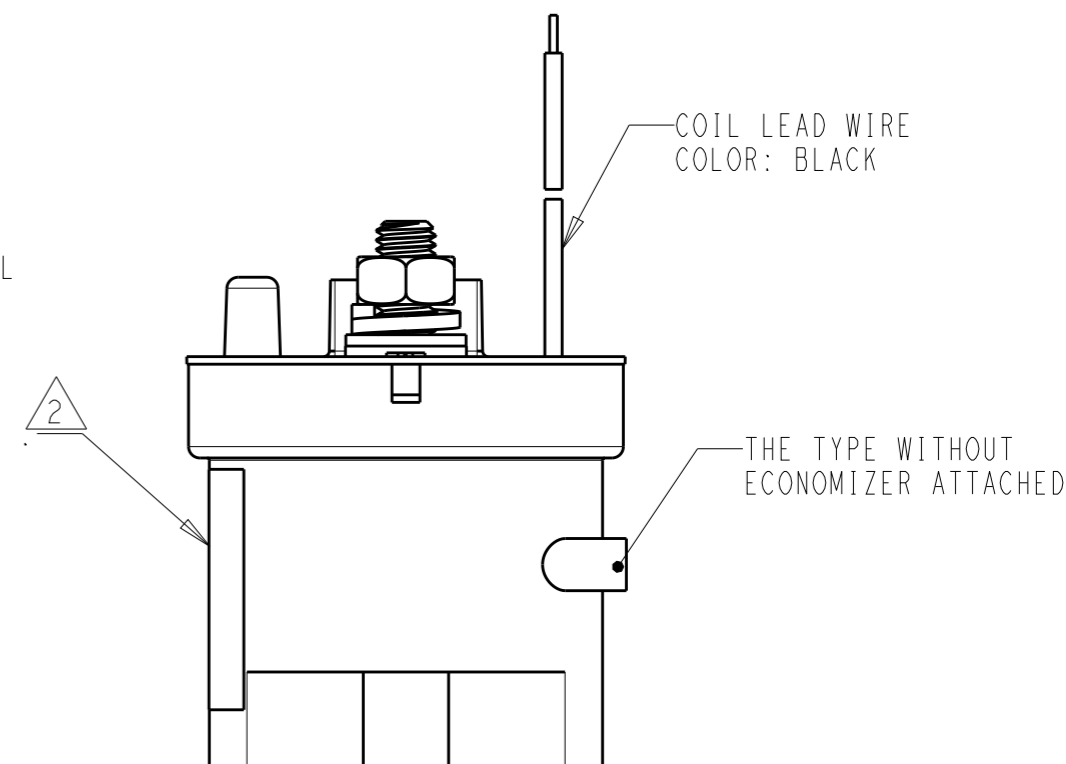
A2 "-" POSITION TERMINAL

ECONOMIZER IS INSIDE

3 WHITE, AUXILIARY CONTACT

3 RED, "+" COIL

3 BLACK, "-" COIL

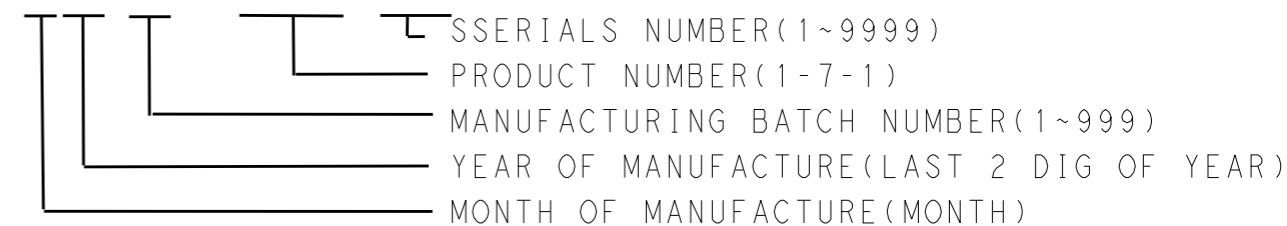


COIL LEAD WIRE  
COLOR: BLACK

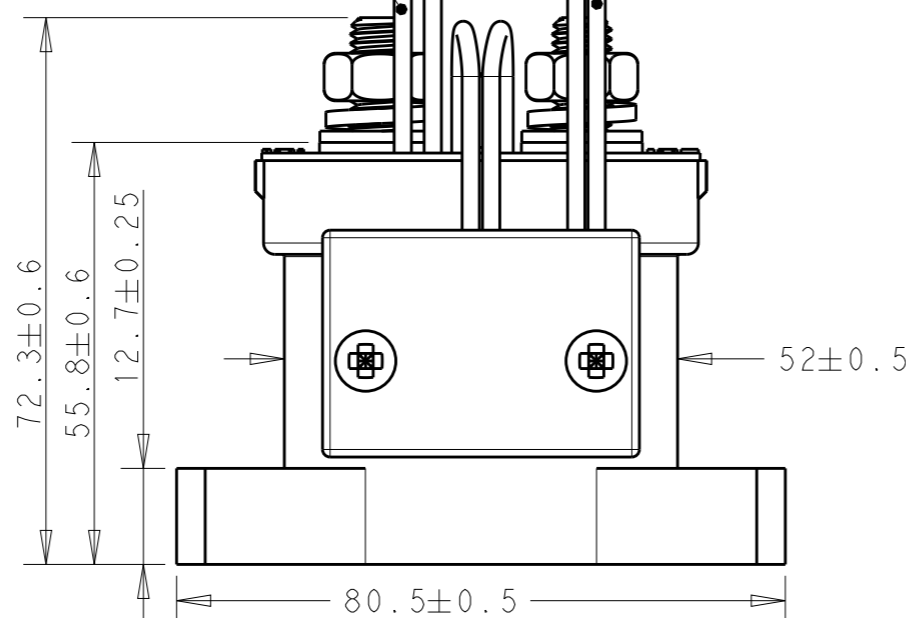
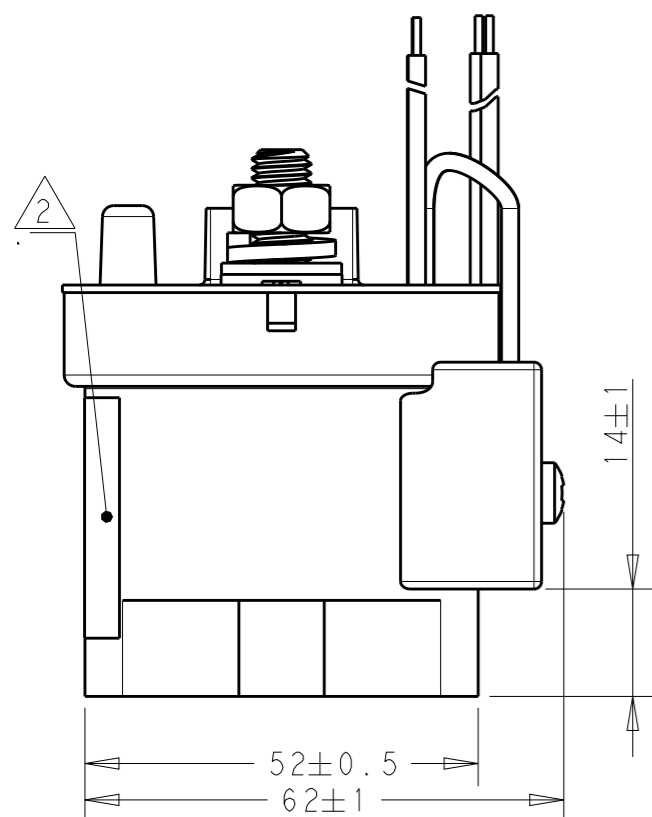
2 THE TYPE WITHOUT  
ECONOMIZER ATTACHED

NOTES:

- 1. HARDWARE IS SUPPLIED IN KIT  
2X M8 WASHER, STAINLESS  
2X M8 LOCKWASHER-SPOT RING, STAINLESS  
2X M8X1.25 NUT, STAINLESS
- 2. LABEL, QR CODE PRINTED CONTENT.  
MMYY-001, P P P P P P, 0001



- 3. LEAD WIRES:  
UL3321, 22AWG  
LENGTH = 380MM ± 20MM



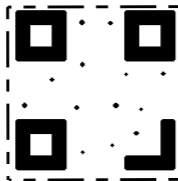
THIS DRAWING IS A CONTROLLED DOCUMENT.		DWN XN.ZHANG	06SEP2016	TE Connectivity	
DIMENSIONS: mm		CHK -	-		
TOLERANCES UNLESS OTHERWISE SPECIFIED:		APVD SUNNY_ZHANG	06SEP2016	NAME IHV200 SERIES PRODUCT	
0 PLC ±- 1 PLC ±0.1 2 PLC ±0.01 3 PLC ±0.001 4 PLC ±0.0001 ANGLES ±-		PRODUCT SPEC -		APPLICATION SPEC -	
MATERIAL -		FINISH -		SIZE A3	CAGE CODE -
		WEIGHT -		DRAWING NO C-2071410	RESTRICTED TO -
CUSTOMER DRAWING				SCALE 1:1	SHEET 1 OF 2
				REV B	

REVISIONS

P	LTR	DESCRIPTION	DATE	DWN	APVD
		SEE SHEET 1			

# LABEL PRINT CONTENT

SCALE 4:1



QR CODE

(B)

## CHINA

### RELAY IHV200AAANA

PRODUCT NAME

### P/N 2071410-1

PART NUMBER



### Coil: 12-24VDC

COIL VOLTAGE RANGE

### ECONOMIZER ATTACHED

ECONOMIZER STATE

### 1630

### STV29

PRODUCTION DATE "YYWW"

MANUFACTURING FACILITY CODE

UNATTACHED	NORMALLY OPEN	72 VDC	IHV200H3ANA	3-2071410-3
UNATTACHED	NORMALLY OPEN	48 - 72 VDC	IHV200H2ANA	3-2071410-2
UNATTACHED	NORMALLY OPEN	12 - 24 VDC	IHV200H1ANA	3-2071410-1
ATTACHED	NORMALLY OPEN	72 VDC	IHV200HJANA	2-2071410-3
ATTACHED	NORMALLY OPEN	48 - 72 VDC	IHV200HDANA	2-2071410-2
ATTACHED	NORMALLY OPEN	12 - 24 VDC	IHV200HAANA	2-2071410-1
UNATTACHED	NONE	72 VDC	IHV200A3ANA	1-2071410-3
UNATTACHED	NONE	48 - 72 VDC	IHV200A2ANA	1-2071410-2
UNATTACHED	NONE	12 - 24 VDC	IHV200A1ANA	1-2071410-1
ATTACHED	NONE	72 VDC	IHV200AJANA	2071410-3
ATTACHED	NONE	48 - 72 VDC	IHV200ADANA	2071410-2
ATTACHED	NONE	12 - 24 VDC	IHV200AAANA	2071410-1
ECO. STATE	AUX. CONTACT	COIL VOLTAGE	PRODUCT NAME	PART NUMBER

THIS DRAWING IS A CONTROLLED DOCUMENT.		DWN	-		
		CHK	-		
DIMENSIONS: mm		APVD	-	NAME	
		TOLERANCES UNLESS OTHERWISE SPECIFIED:		IHV200 SERIES PRODUCT	
		0 PLC	±-	-	
MATERIAL		1 PLC	±0.1	SIZE	A3
		2 PLC	±0.01	CAGE CODE	-
		3 PLC	±0.001	DRAWING NO	©-2071410
		4 PLC	±0.0001	RESTRICTED TO	-
		ANGLES	±-	SCALE	1:3
		FINISH	-	SHEET	2 OF 2
			-	REV	B
			-	CUSTOMER DRAWING	

单击下面可查看定价，库存，交付和生命周期等信息

[>>TE Connectivity\(泰科\)](#)