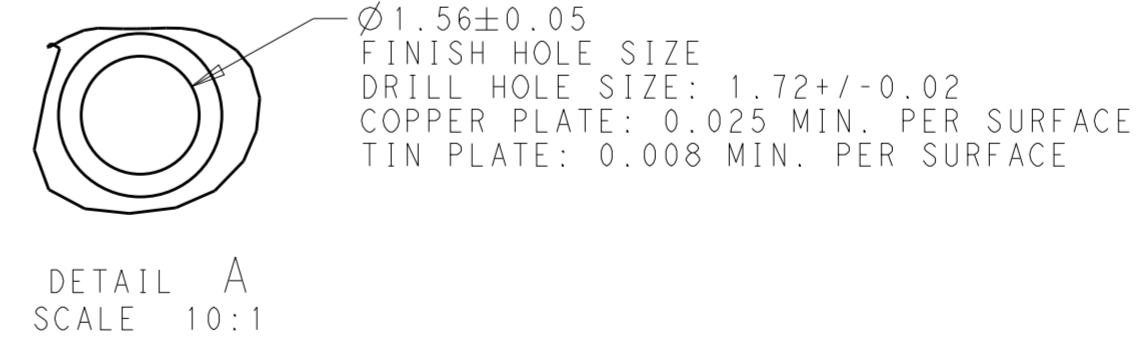
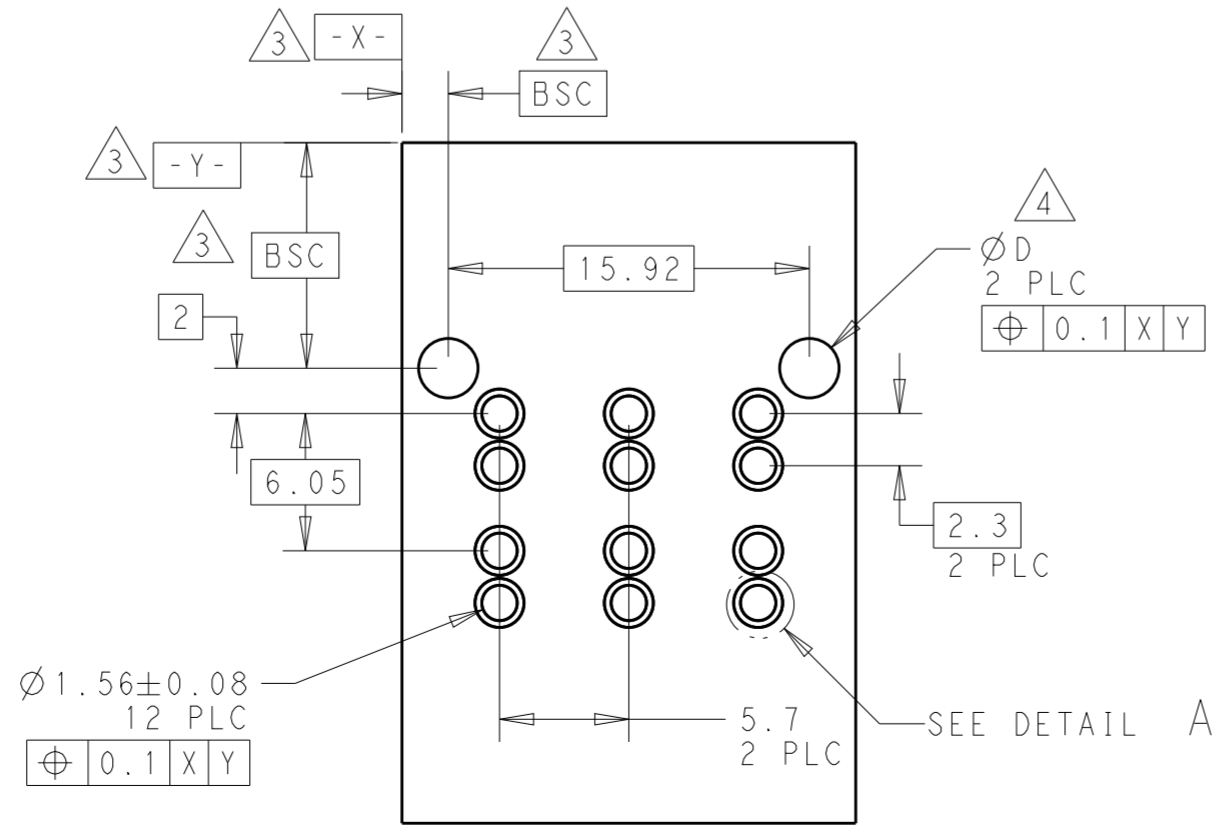
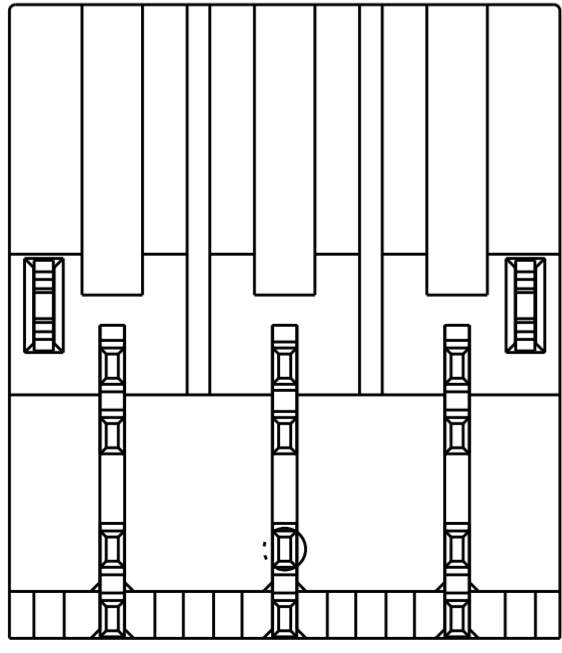
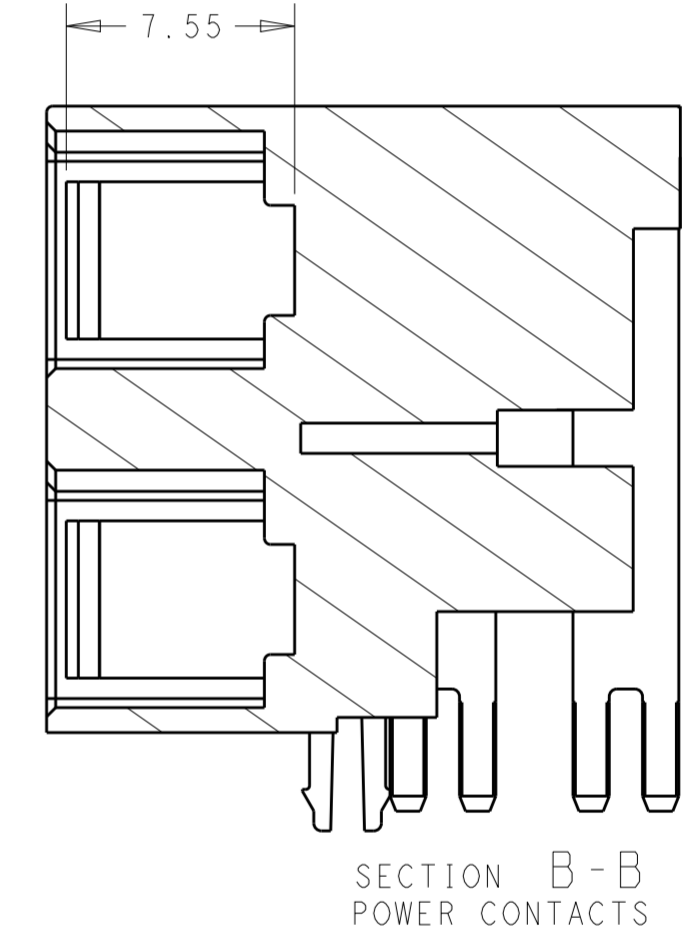
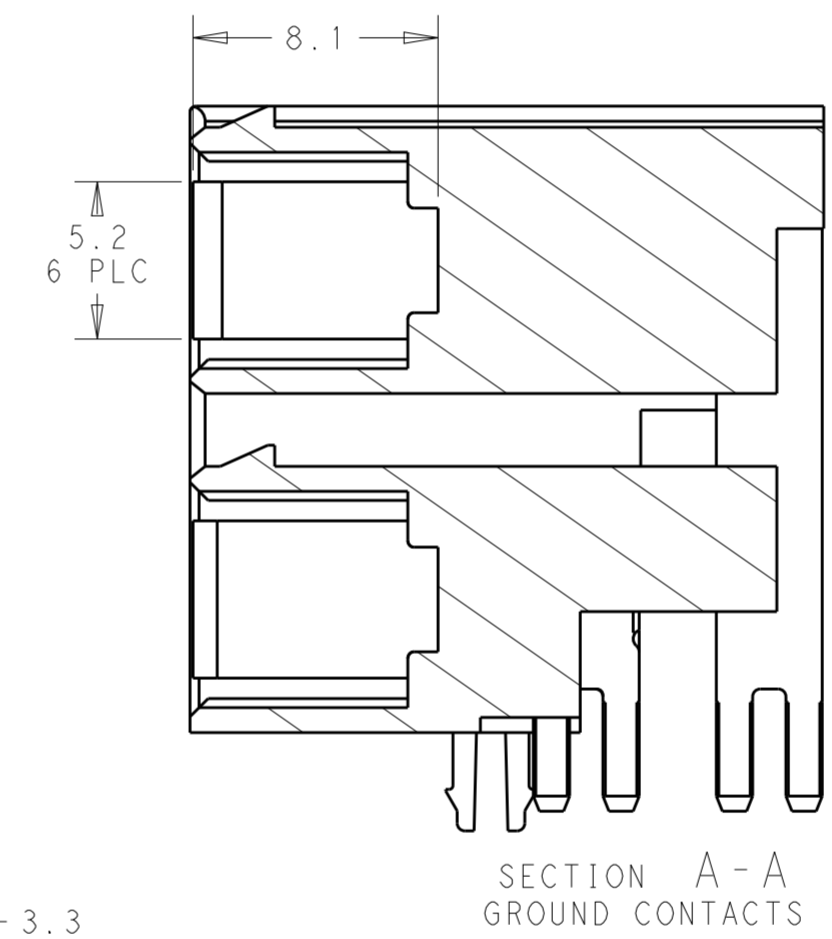
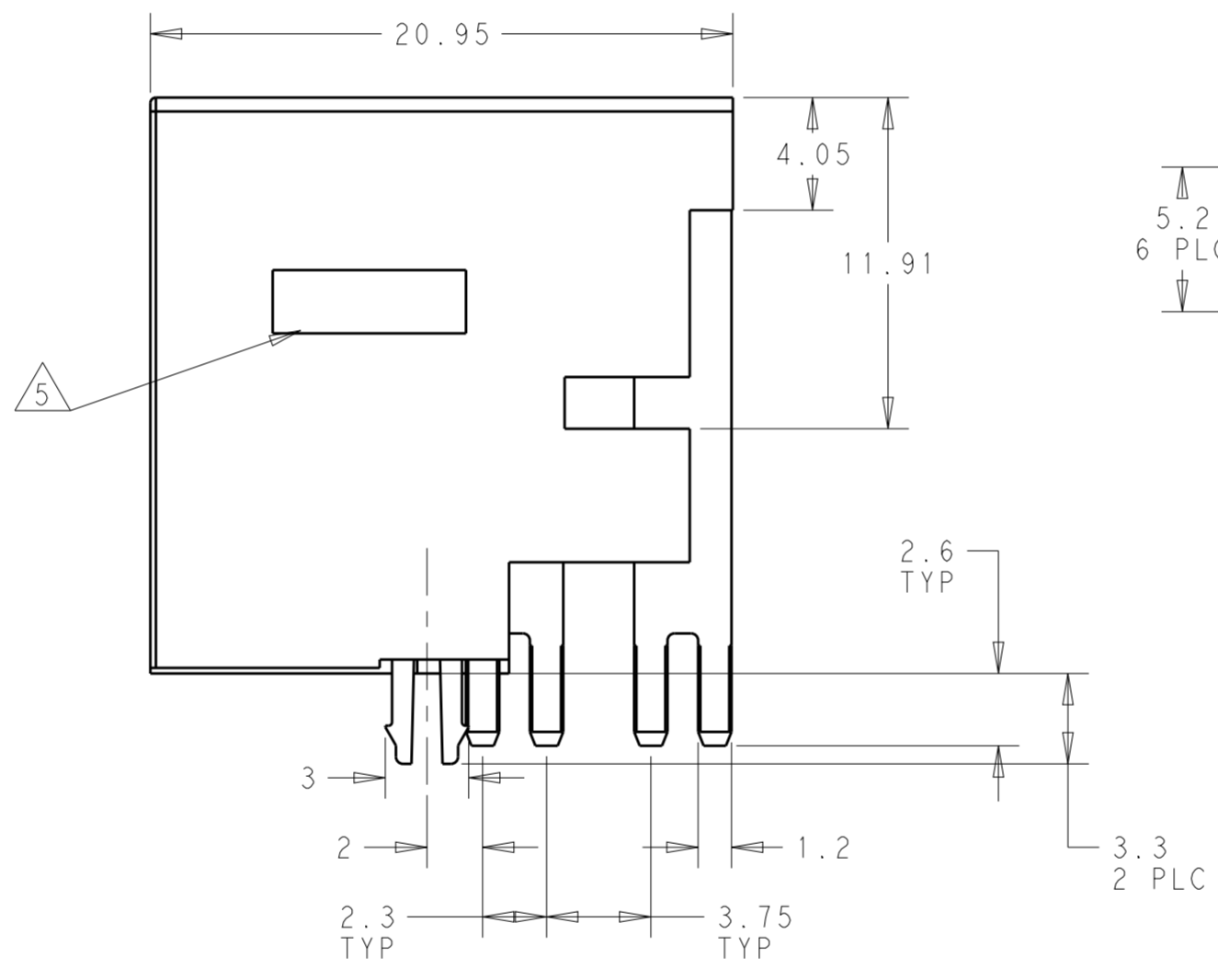
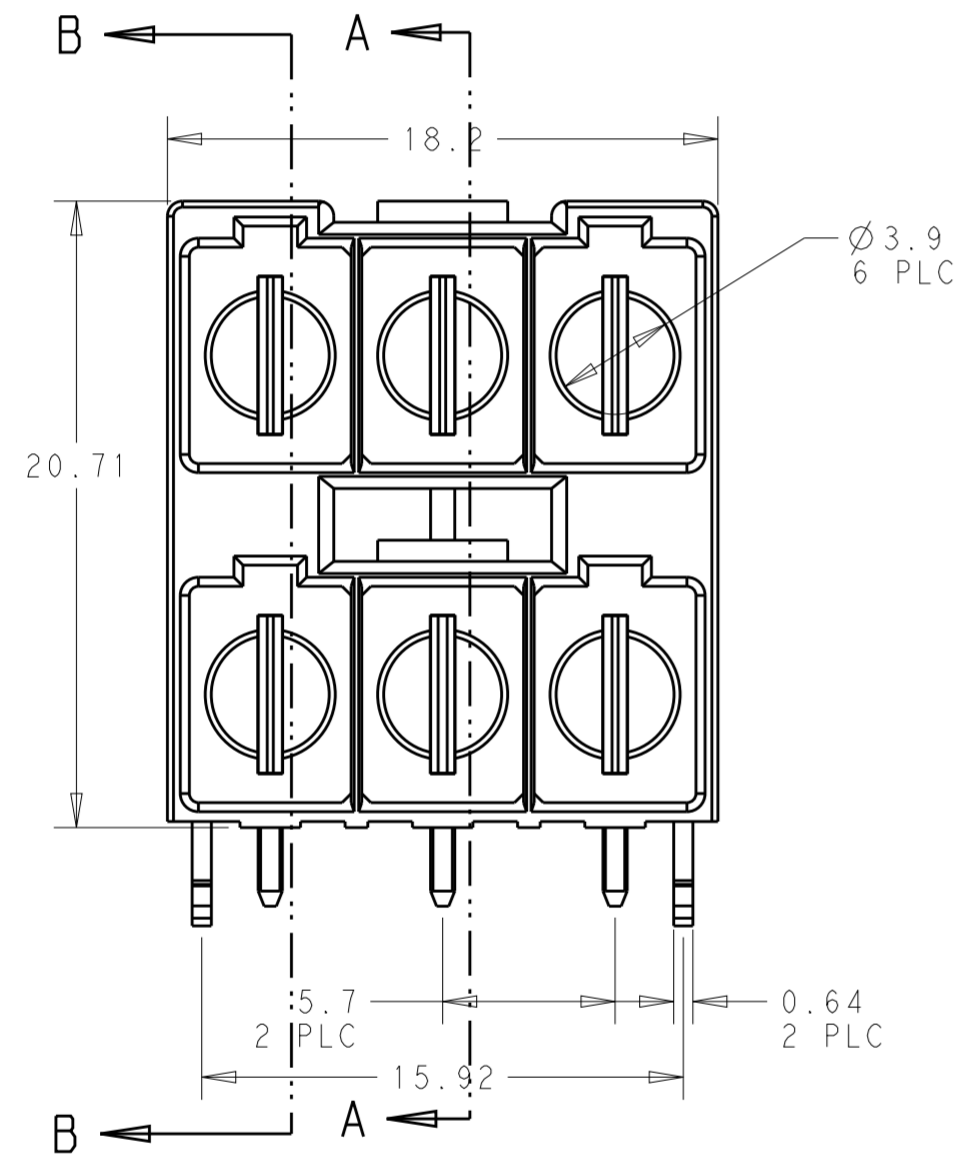
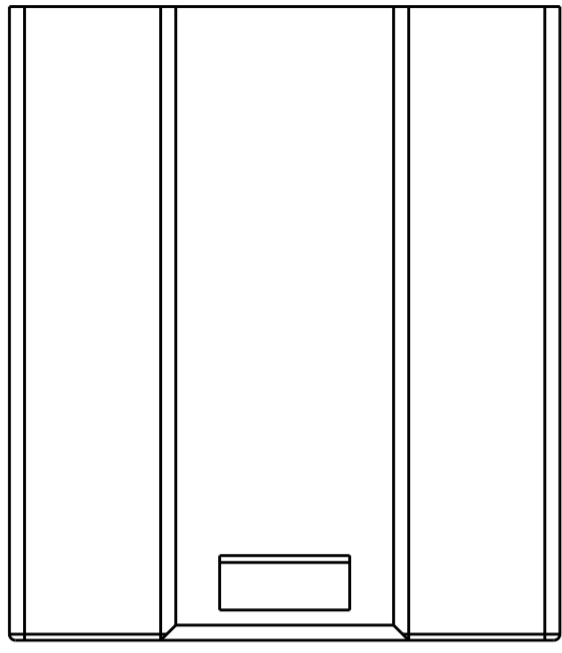


THIS DRAWING IS UNPUBLISHED. RELEASED FOR PUBLICATION 20  
 © COPYRIGHT 20 BY - ALL RIGHTS RESERVED.

REVISIONS				
P	LTR	DESCRIPTION	DATE	DWN APVD
B2		ADD -3	21JUN2019	OL SZ
B3		ADD -4	08AUG2019	OL SZ

- 1 MATERIAL:  
HOUSING: LCP BLACK, UL94V-0; CONTACT AND RETENTION CLIP: COPPER ALLOY
- 2 PLATING:  
POWER CONTACT: 3UM SILVER AT CONTACT AND SOLDER AREA OVER NICKEL PLATED;  
RETENTION CLIP: TIN PLATED
- 3 DATUM AND BASIC DIMENSIONS ESTABLISHED BY CUSTOMER
- 4 UNPLATED THROUGH HOLE; THE RECOMMENDED HOLE SIZE IS 2.75MM OR 2.65MM.
- 5 "TE", PART NUMBER AND DATECODE TO BE MARKED IN AREA SHOWN
- 6 PLATING: 0.76µm GOLD ON CONTACT AREA AND GOLD FLASH ON OTHER AREA.  
RETENTION CLIP: TIN PLATED

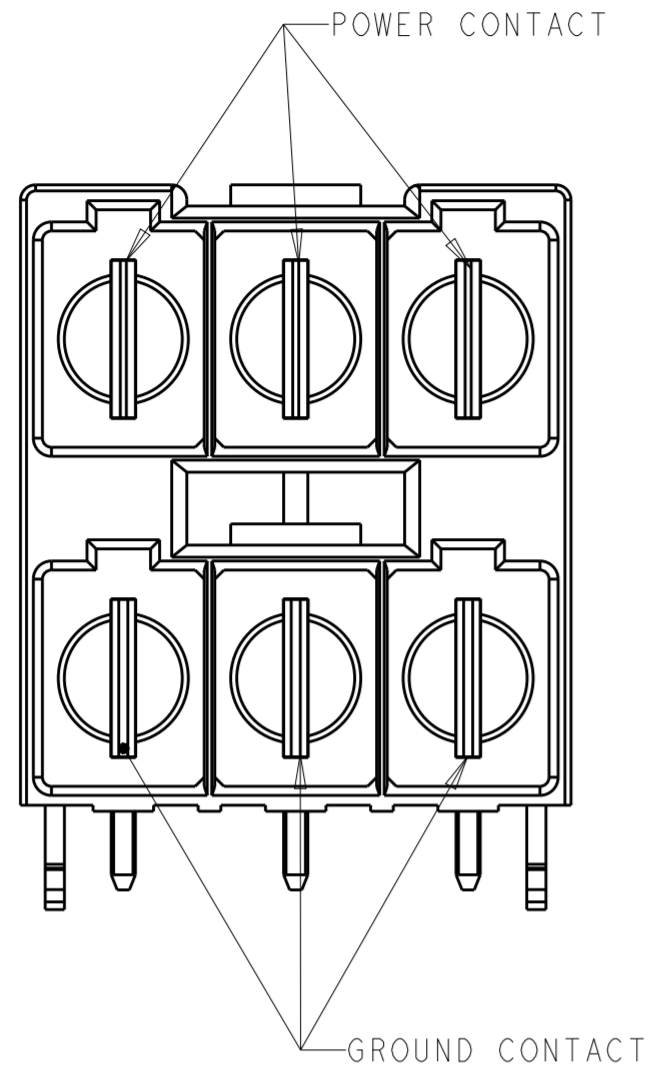


2	2204535-1
PLATING	PART NUMBER

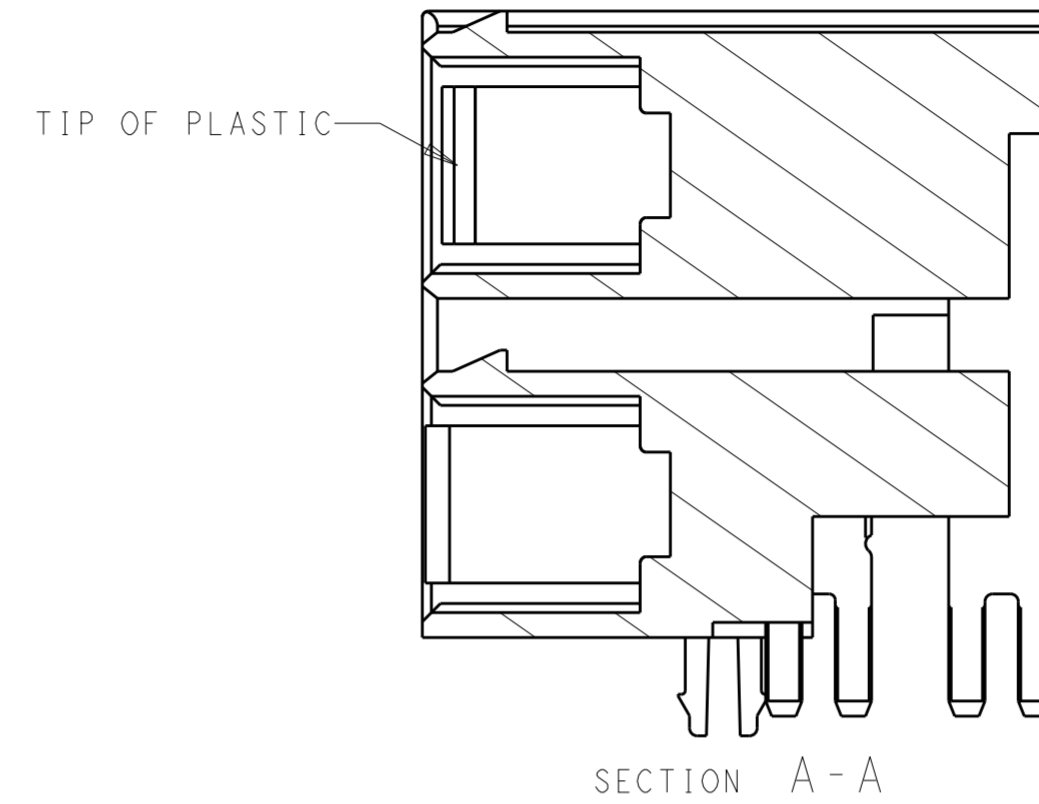
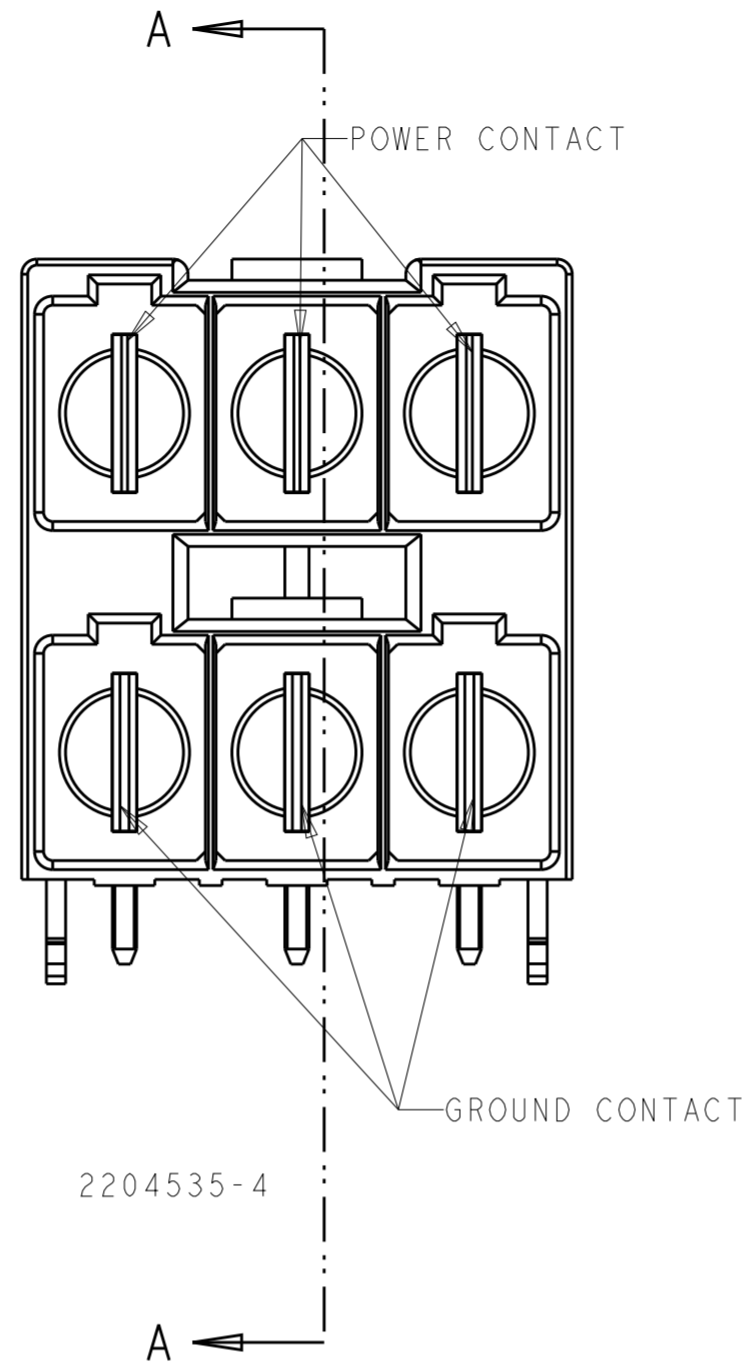
THIS DRAWING IS A CONTROLLED DOCUMENT.		DWN ORANDO LI 03APR2015	TE Connectivity	
DIMENSIONS: mm		CHK ZHAO SUNY 03APR2015		
TOLERANCES UNLESS OTHERWISE SPECIFIED:		APVD SUNY ZHAO 03APR2015	NAME ELCON Mini, 2x3-position stacked header, right-angle	
0 PLC ±	1 PLC ±0.1	PRODUCT SPEC 108-	SIZE A2	
2 PLC ±0.05	3 PLC ±	APPLICATION SPEC 114-	CAGE CODE -	
4 PLC ±	ANGLES ±	WEIGHT -	DRAWING NO. C-2204535	
FINISH -	-	CUSTOMER DRAWING	RESTRICTED TO -	
SCALE 4:1			SHEET 1 OF 2	
			REV B3	

THIS DRAWING IS UNPUBLISHED. RELEASED FOR PUBLICATION 20  
 © COPYRIGHT 20 BY - ALL RIGHTS RESERVED.

REVISIONS				
P	LTR	DESCRIPTION	DATE	APVD
-		SEE SHEET 1	-	-



2204535-3



OTHER DIMENSIONS, PLEASE SEE SHEET 1

GROUND	PROBE PROOF	6	2204535-4
GROUND	PROBE PROOF	2	2204535-3
LOWER ROW	UPPER ROW	PLATING	PART NUMBER

THIS DRAWING IS A CONTROLLED DOCUMENT.		DWN 03APR2015 ORANDO LI	TE Connectivity	
DIMENSIONS: mm		CHK 03APR2015 ZHAO SUNY		
TOLERANCES UNLESS OTHERWISE SPECIFIED:		APVD 03APR2015 SUNY ZHAO	PRODUCT SPEC 108-	RESTRICTED TO
0 PLC ± 1 PLC ±0.1 2 PLC ±0.05 3 PLC ± 4 PLC ± ANGLES ± FINISH -		APPLICATION SPEC 114-	WEIGHT -	SIZE A2
MATERIAL TBD		CUSTOMER DRAWING	SCALE 4:1	SHEET 2 OF 2
			REV B3	

单击下面可查看定价，库存，交付和生命周期等信息

[>>TE Connectivity\(泰科\)](#)