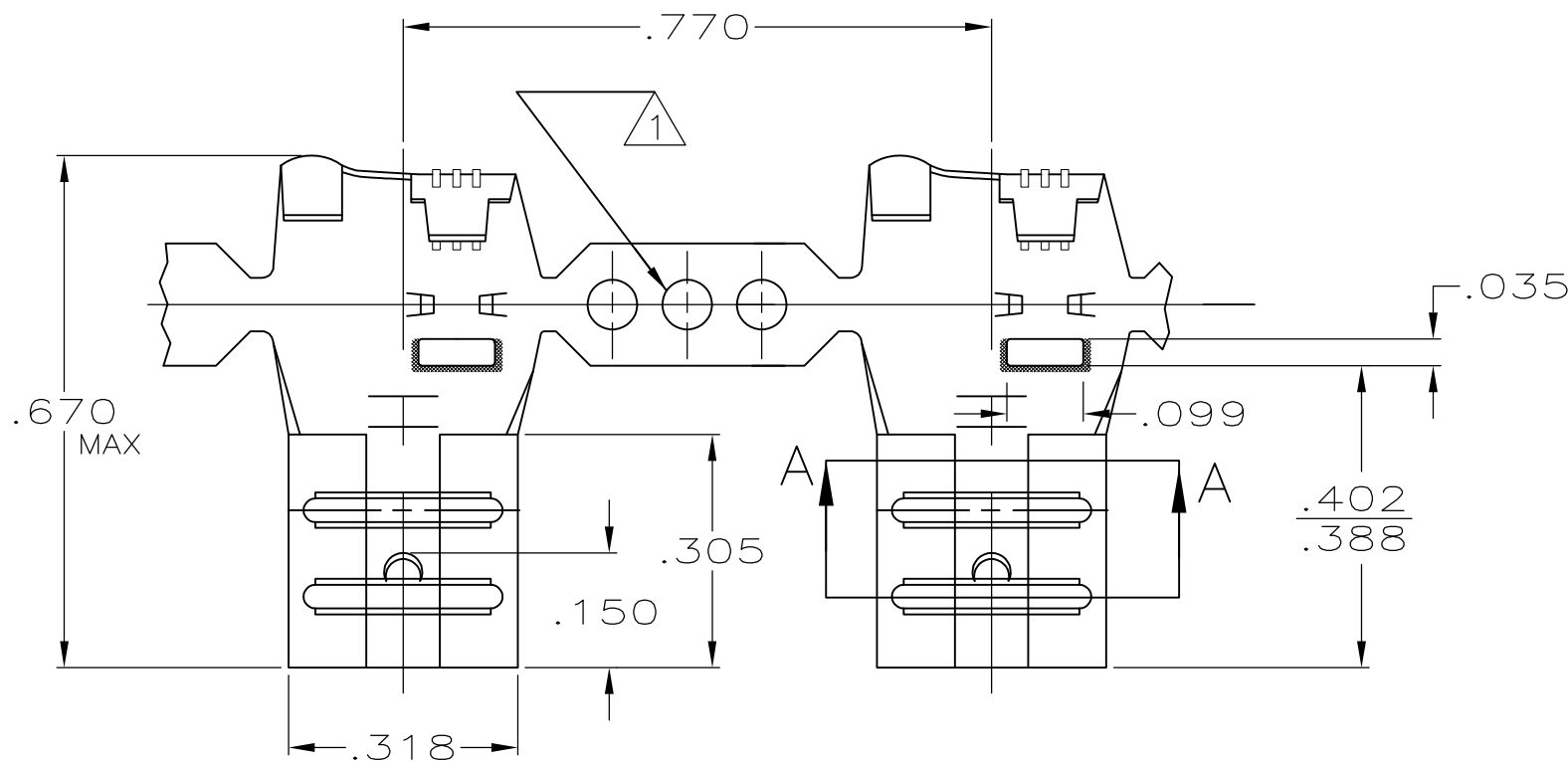


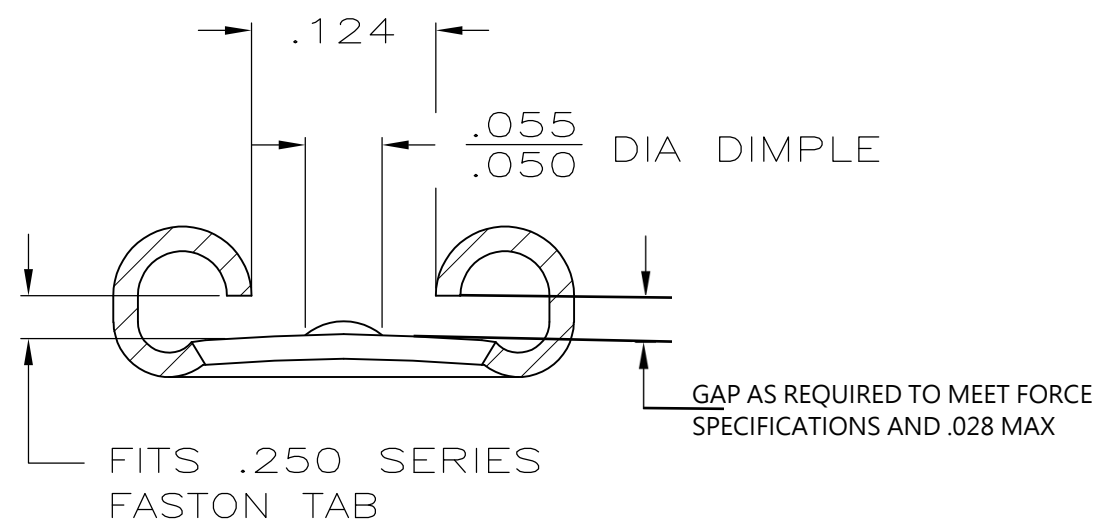
P	LTR	DESCRIPTION	DATE	DWN	APVD
	A1	REVISED PER ECO-012588	05AUG13	B.P	D.Z
	A3	REVISED PER ECR-18-014492	11OCT18	DL	T.D
	A4	REVISED PER ECR-20-009164	12AUG2020	MK	DH



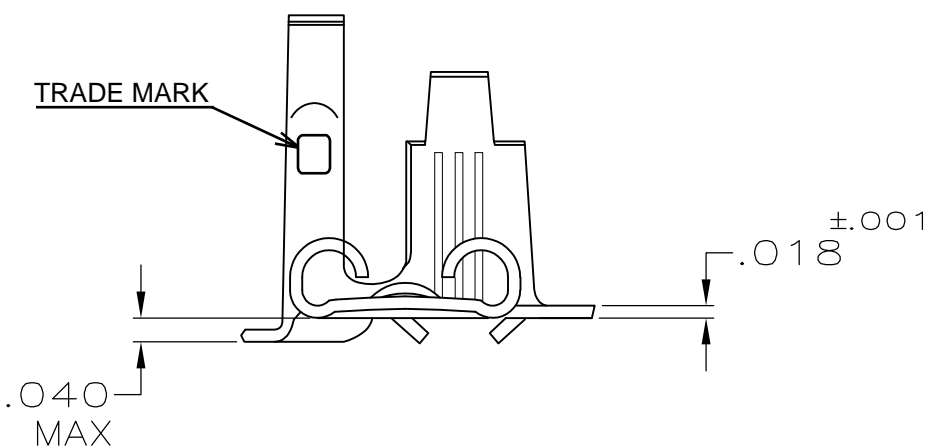
1 SINGLE OR DOUBLE PILOT HOLE OPTIONAL

2 NOT RECOMMEND FOR AIR CONDITION COMPRESSOR INTERNAL USE

3 TIN OVER NICKEL PLATING FOR 2232111-1  
TIN PLATING FOR 2232111-3



SECTION A-A  
SCALE 8:1



3000PCS/REEL	.110-.210	18-12	.033-.030	2232111-3			
4000PCS/REEL	.110-.210	18-12	.033-.030	2232111-1			
PACKING QUANTITY	INSULATION RANGE	WIRE SIZE	MATING TAB	PART NO			
THIS DRAWING IS A CONTROLLED DOCUMENT.		DWN B.P	TE Connectivity RECEPTACLE, FASTON, FLAG, .250 SERIES				
DIMENSIONS: INCHES		CHK F.M					
TOLERANCES UNLESS OTHERWISE SPECIFIED:		APVD Yuhong.Mao					
0 PLC ± - 1 PLC ± - 2 PLC ± - 3 PLC ± .015 4 PLC ± - ANGLES ± - MATERIAL TEMP 4M BRASS FINISH SEE NOTE 3		NAME					
		PRODUCT SPEC	SIZE	CAGE CODE	DRAWING NO	RESTRICTED TO	
		APPLICATION SPEC	A3 00779 C-2232111				
		WEIGHT	CUSTOMER DRAWING		SCALE 4:1	SHEET 1 OF 1	REV A4

单击下面可查看定价，库存，交付和生命周期等信息

[>>TE Connectivity\(泰科\)](#)