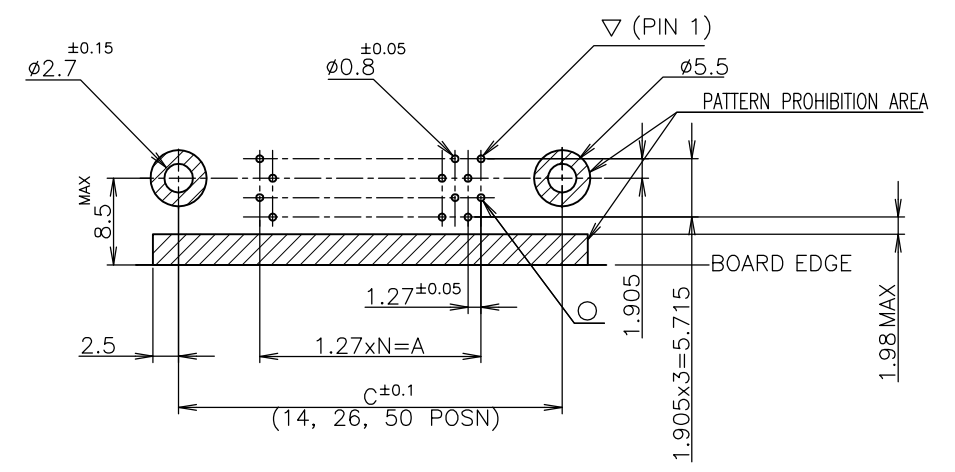
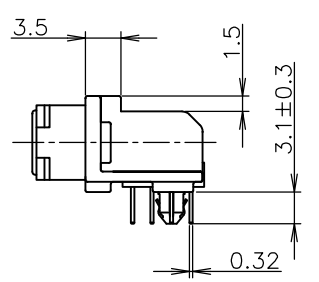
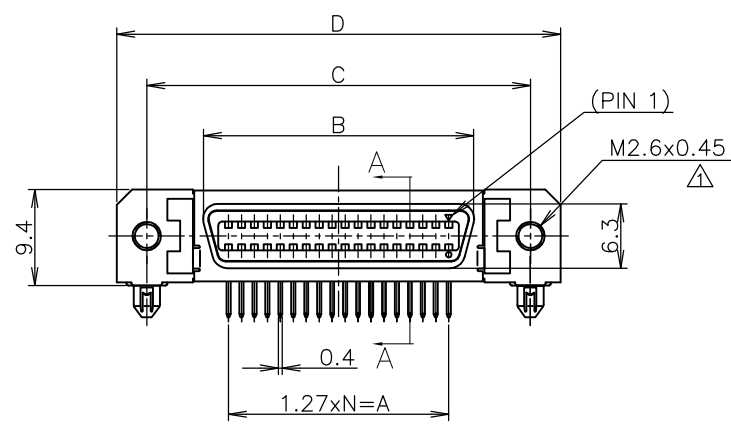
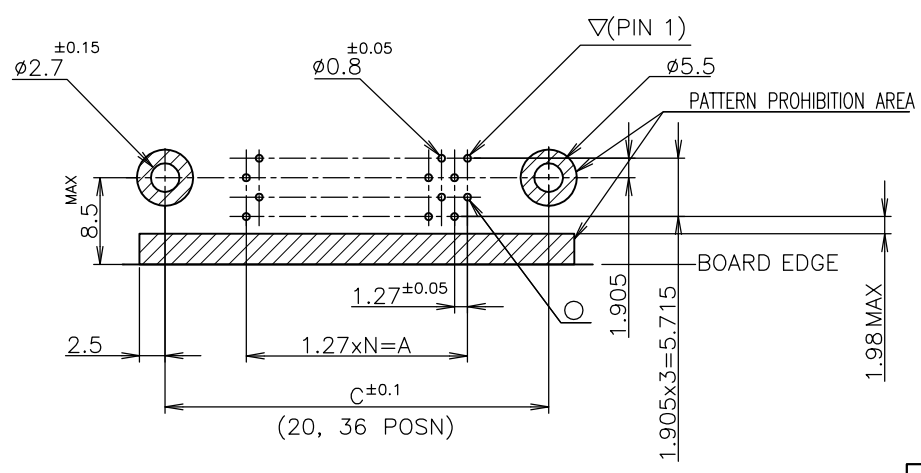
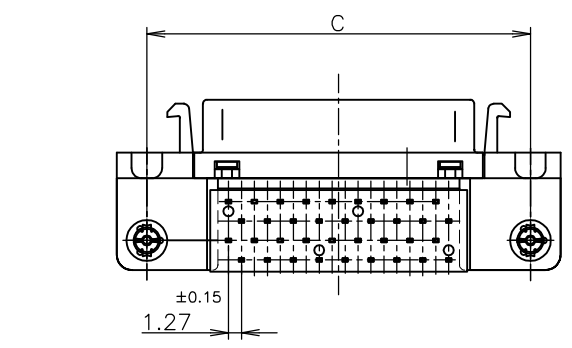


| ITEM | MATERIAL | FINISH |
|------|--------------------------|---|
| ① | COPPER ALLOY | NICKEL UNDER PLATE ALL OVER CONTACT AREA ; Au(0.3um, 0.76um) SOLDER TINE AREA ; TIN PLATE |
| ② | ZINC | NICKEL PLATING |
| ③ | STEEL t0.25 | NICKEL PLATE OVER COPPER UNDERPLATE |
| ④ | THERMO-PLASTIC(UL:94V-0) | COLOR; BLACK |
| ⑥ | COPPER ALLOY | TIN PLATE OVER NICKEL UNDERPLATE |

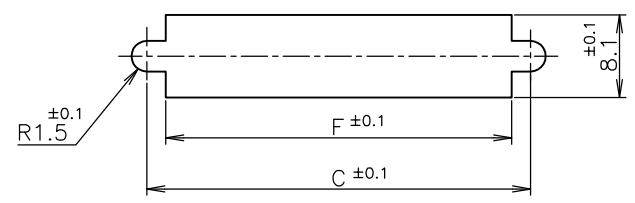
NOTES:
 1. RECOMMENDED SCREW SIZE ; M2.6 PANHEAD SCREW(L=5)
 2. RECOMMENDED P.C BOARD THICKNESS ; 1.6mm (REF)
 3. INSERTION FORCE OF RETENTION LEG TO P.C.B; 21.56N(2.2kgf) MAX/CONNECTOR.
 4. RETENTIVITY OF RETENTION LEG TO P.C.B; 4.9N(0.5kgf) MIN/CONNECTOR.



RECOMMENDED PC BOARD MOUNTING DIMENSION (COMPONENT SIDE)



RECOMMENDED PC BOARD MOUNTING DIMENSION (COMPONENT SIDE)



RECOMMENDED PANEL CUTOUT THK,2mm MAX

LEAD FREE

| N | F | E | D | C | B | A | Au PLT. | POSITION | PART NO. |
|----|------|-------|-------|-------|-------|-------|---------|----------|-------------|
| 24 | 42.8 | 42.50 | 52.40 | 46.50 | 35.48 | 30.48 | 0.76um | 50 | 5-2232516-2 |
| 17 | 33.9 | 33.61 | 43.51 | 37.61 | 26.59 | 21.59 | 0.76um | 36 | 4-2232516-2 |
| 12 | 27.6 | 27.26 | 37.16 | 31.26 | 20.24 | 15.24 | 0.76um | 26 | 3-2232516-2 |
| 9 | 23.8 | 23.45 | 33.35 | 27.45 | 16.43 | 11.43 | 0.76um | 20 | 2-2232516-2 |
| 6 | 19.9 | 19.64 | 29.54 | 23.64 | 12.62 | 7.62 | 0.76um | 14 | 1-2232516-2 |
| 24 | 42.8 | 42.50 | 52.40 | 46.50 | 35.48 | 30.48 | 0.3 um | 50 | 5-2232516-1 |
| 17 | 33.9 | 33.61 | 43.51 | 37.61 | 26.59 | 21.59 | 0.3 um | 36 | 4-2232516-1 |
| 12 | 27.6 | 27.26 | 37.16 | 31.26 | 20.24 | 15.24 | 0.3 um | 26 | 3-2232516-1 |
| 9 | 23.8 | 23.45 | 33.35 | 27.45 | 16.43 | 11.43 | 0.3 um | 20 | 2-2232516-1 |
| 6 | 19.9 | 19.64 | 29.54 | 23.64 | 12.62 | 7.62 | 0.3 um | 14 | 1-2232516-1 |

THIS DRAWING IS A CONTROLLED DOCUMENT.

DIMENSIONS: mm

TOLERANCES UNLESS OTHERWISE SPECIFIED:
 0 PLC ± 0.2
 1 PLC ± 0.2
 2 PLC ± 0.2
 3 PLC ± 0.2
 4 PLC ± 0.2
 ANGLES ± 3°

MATERIAL: SEE TABLE

FINISH: SEE TABLE

APPROVALS:
 DWN: HAO WANG (06MAY13)
 CHK: KOBBY ZHAO (06MAY13)
 APVD: PETER YIN (06MAY13)

NAME: PETER YIN

PRODUCT SPEC: 108-5288

APPLICATION SPEC:

WEIGHT:

CUSTOMER DRAWING

TE Connectivity

RECEPTACLE HDR ASSY (3.1mm)
 RETENTION LEG TYPE
 STANDARD SCS1 .050

SIZE: A2

CAGE CODE: 00779

DRAWING NO: C-2232516

RESTRICTED TO:

SCALE: 2:1

SHEET: 1 OF 1

REV: A

单击下面可查看定价，库存，交付和生命周期等信息

[>>TE Connectivity\(泰科\)](#)