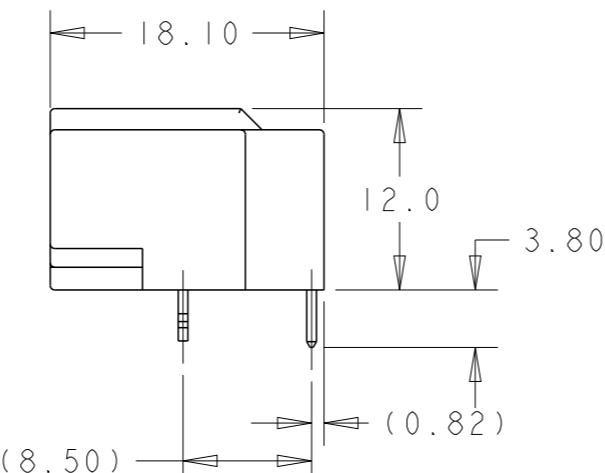
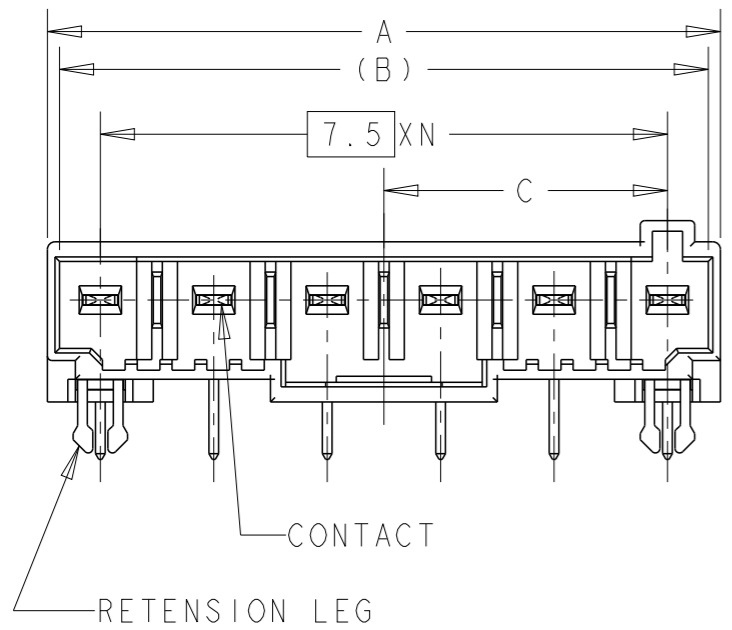
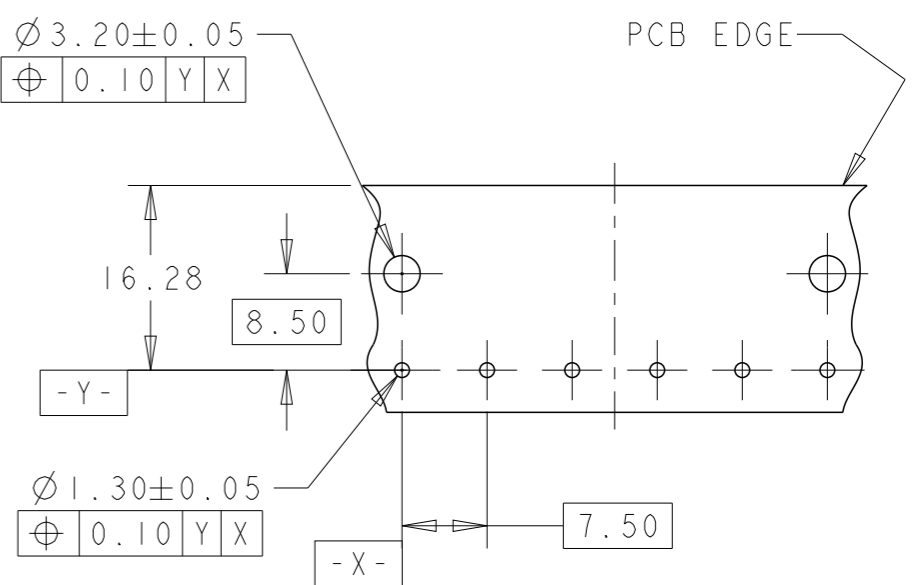
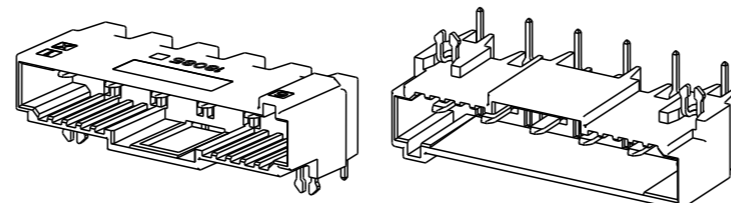
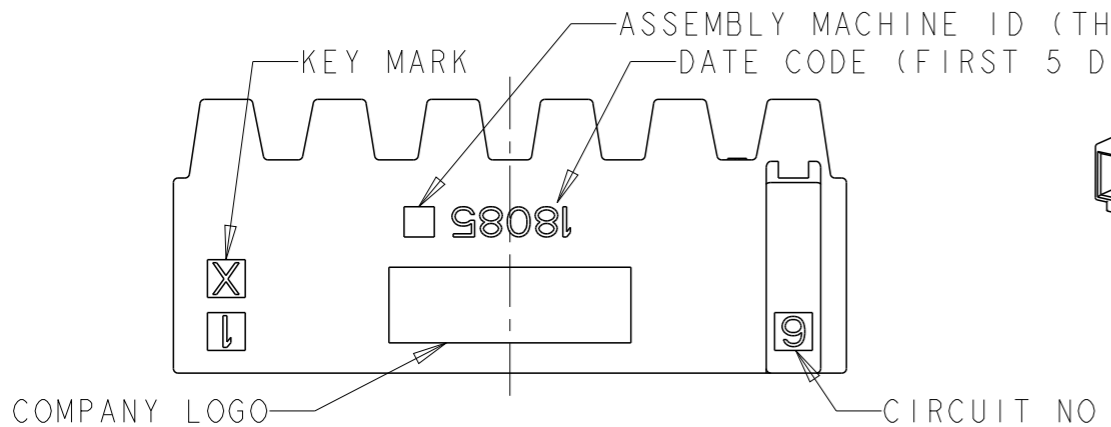


THIS DRAWING IS UNPUBLISHED. RELEASED FOR PUBLICATION 20
 © COPYRIGHT 20 BY - ALL RIGHTS RESERVED.

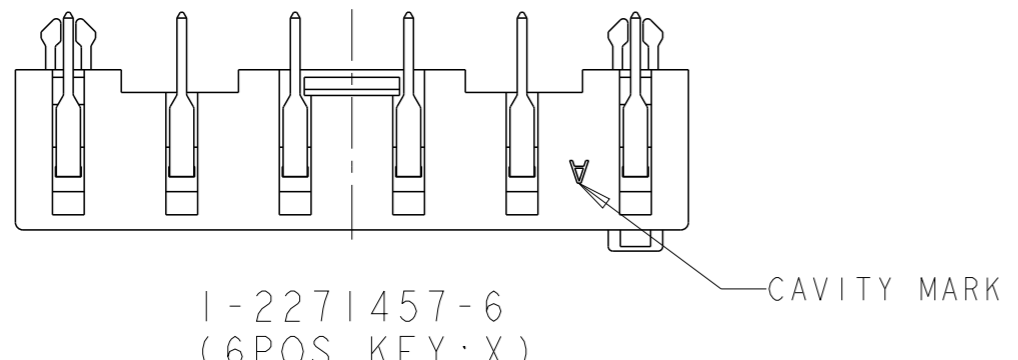
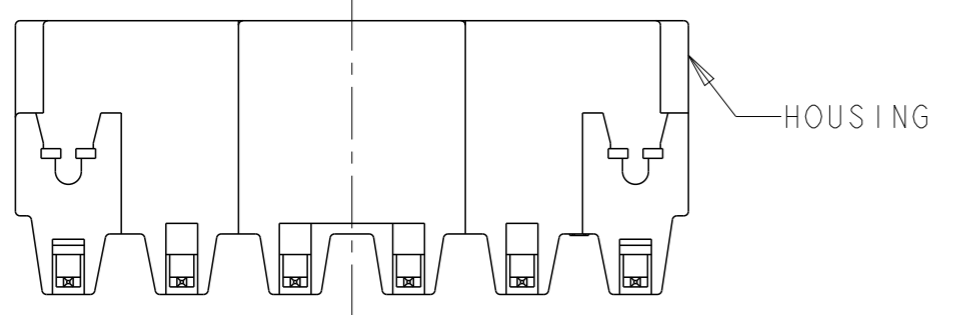
REVISIONS					
P	LTR	DESCRIPTION	DATE	DWN	APVD
B		REVISED	12JUN2018	K.T	E.I
BI		REVISED	31JULY2018	K.T	E.I
C		REVISED PER ECR-19-009855	25JUN2019	R.I	E.I
D		REVISED PER ECR-19-012255	05AUG2019	R.I	E.I



RECOMMENDED PCB LAYOUT

- 1 COMPLIES WITH DIRECTIVES 2002/95/EC (ROHS)
- 2 RATED VOLTAGE: 600VAC,
- 3 APPLICATION CABLE: 22AWG~14AWG
- 4 OPERATION TEMPERATURE: -30°C~105°C
- 5 CONTACT RESISTANCE: 10mΩ MAX. INITIAL
- 6 INSULATION RESISTANCE: 1000MΩ MIN. INITIAL
- 7 NOTE DELETED

X	8	7	26.25	57.90	59.50	1-2271457-8
X	6	5	18.75	42.90	44.50	1-2271457-6
Y	4	3	11.25	27.90	29.50	2-2271457-4
X	4	3	11.25	27.90	29.50	1-2271457-4
KEY MARK	POS	N	DIM.C	DIM.B	DIM.A	ASSEMBLY P/N

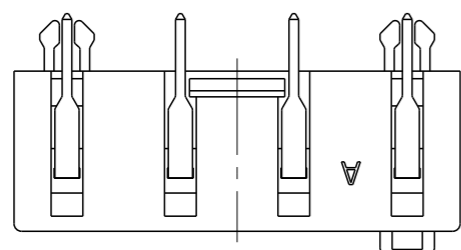
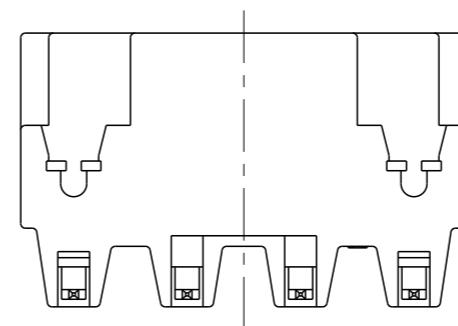
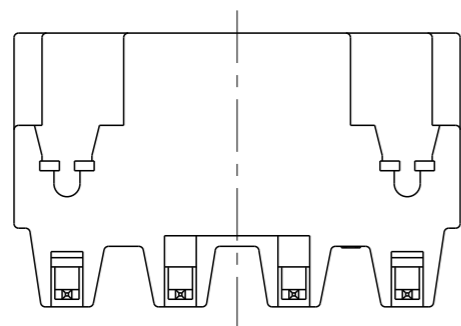
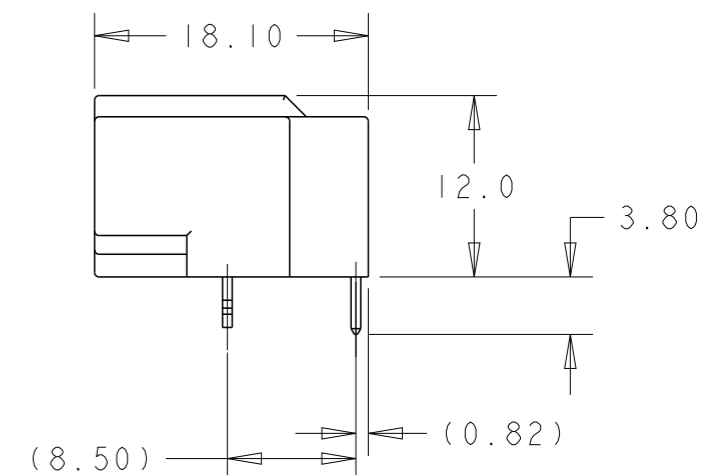
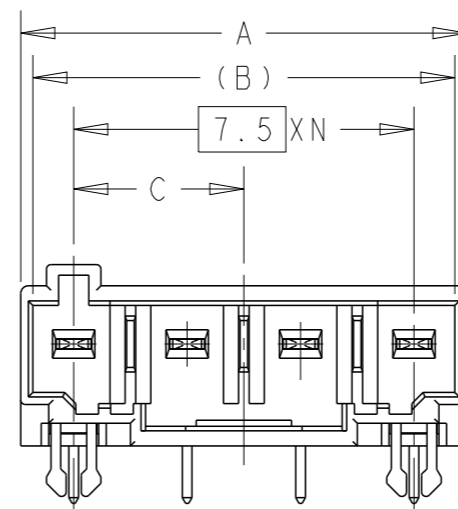
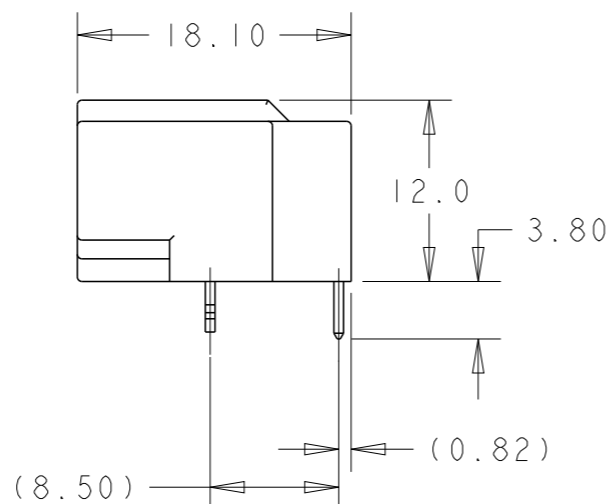
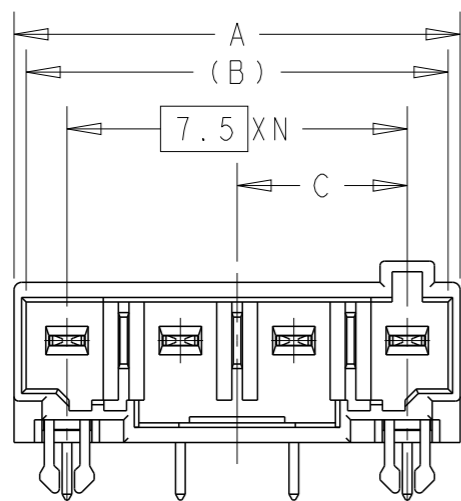
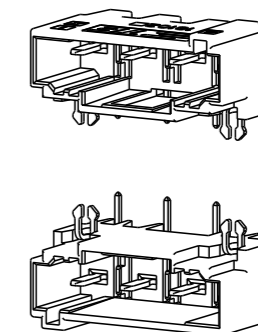
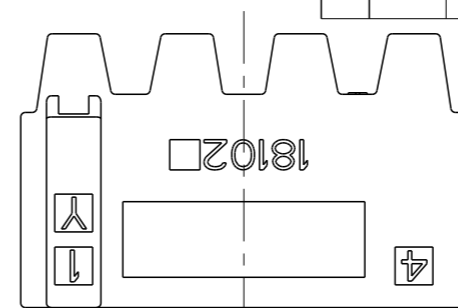
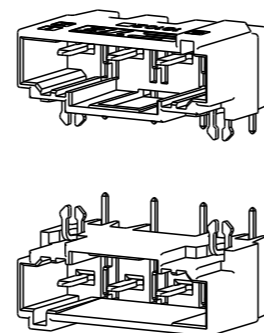
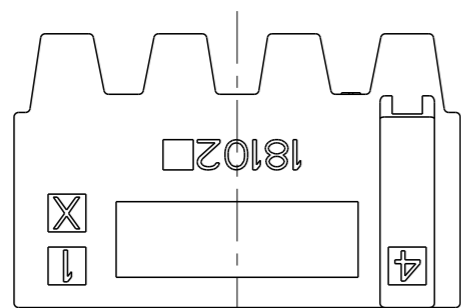


1-2271457-6
(6POS KEY: X)

THIS DRAWING IS A CONTROLLED DOCUMENT.

DIMENSIONS: mm	TOLERANCES UNLESS OTHERWISE SPECIFIED: 0 PLC ± 1 PLC ±0.50 2 PLC ±0.30 3 PLC ± 4 PLC ± ANGLES ±3°	DWN	13JAN2015	TE Connectivity	
		CHK	13JAN2015		
MATERIAL SEE NOTE	FINISH	APVD	13JAN2015	NAME	DYNAMIC 3950 HEADER ASSEMBLY
		PRODUCT SPEC	Xiang Xu	APPLICATION SPEC	108-78997
		WEIGHT	-	SIZE	A3
		CUSTOMER DRAWING		CAGE CODE	-
				DRAWING NO	©-2271457
				RESTRICTED TO	
				SCALE	1:1
				SHEET	1 OF 3
				REV	E

P	LTR	DESCRIPTION	DATE	DWN	APVD
		SEE SHEET 1			



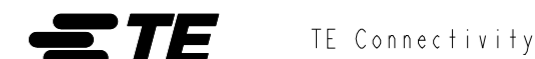
1-2271457-4
(4POS KEY: X)

2-2271457-4
(4POS KEY: Y)

THIS DRAWING IS A CONTROLLED DOCUMENT.

DIMENSIONS:	TOLERANCES UNLESS OTHERWISE SPECIFIED:
mm	
	0 PLC ±-
	1 PLC ±0.50
	2 PLC ±0.30
	3 PLC ±-
	4 PLC ±-
	ANGLES ±3°
MATERIAL	FINISH
-	-
-	-

DWN	13JAN2015
Ning Wang	
CHK	13JAN2015
Kobby Zhao	
APVD	13JAN2015
Xiang Xu	
PRODUCT SPEC	108-78997
APPLICATION SPEC	411-78272
WEIGHT	-



NAME		DYNAMIC 3950 HEADER ASSEMBLY	
SIZE	CAGE CODE	DRAWING NO	RESTRICTED TO
A3	-	©-2271457	
CUSTOMER DRAWING		SCALE	SHEET
		1:1	2 OF 3
			REV E

4

3

2

1

THIS DRAWING IS UNPUBLISHED.

RELEASED FOR PUBLICATION

20

© COPYRIGHT 20

BY -

ALL RIGHTS RESERVED.

REVISIONS

P	LTR	DESCRIPTION	DATE	DWN	APVD
-	-	SEE SHEET 1	-	-	-

1-2271457-8
(8POS KEY:X)

THIS DRAWING IS A CONTROLLED DOCUMENT.

DIMENSIONS:
mm

TOLERANCES UNLESS
OTHERWISE SPECIFIED:

0 PLC	±0.50
1 PLC	±0.30
2 PLC	±0.30
3 PLC	±0.30
4 PLC	±0.30
ANGLES	±3°

MATERIAL
SEE NOTE

FINISH

DWN 13JAN2015

Ning Wang

CHK 13JAN2015

Kobby Zhao

APVD 13JAN2015

Xiang Xu

PRODUCT SPEC
108-78997APPLICATION SPEC
411-78272

WEIGHT -

CUSTOMER DRAWING

TE Connectivity

NAME
DYNAMIC 3950
HEADER ASSEMBLY

SIZE

CAGE CODE

DRAWING NO

RESTRICTED TO

A3

-

C-2271457

SCALE 2:1

SHEET 3 OF 3

REV E

1470-19 (3/13)

Downloaded From Onevac.com

单击下面可查看定价，库存，交付和生命周期等信息

[>>TE Connectivity\(泰科\)](#)