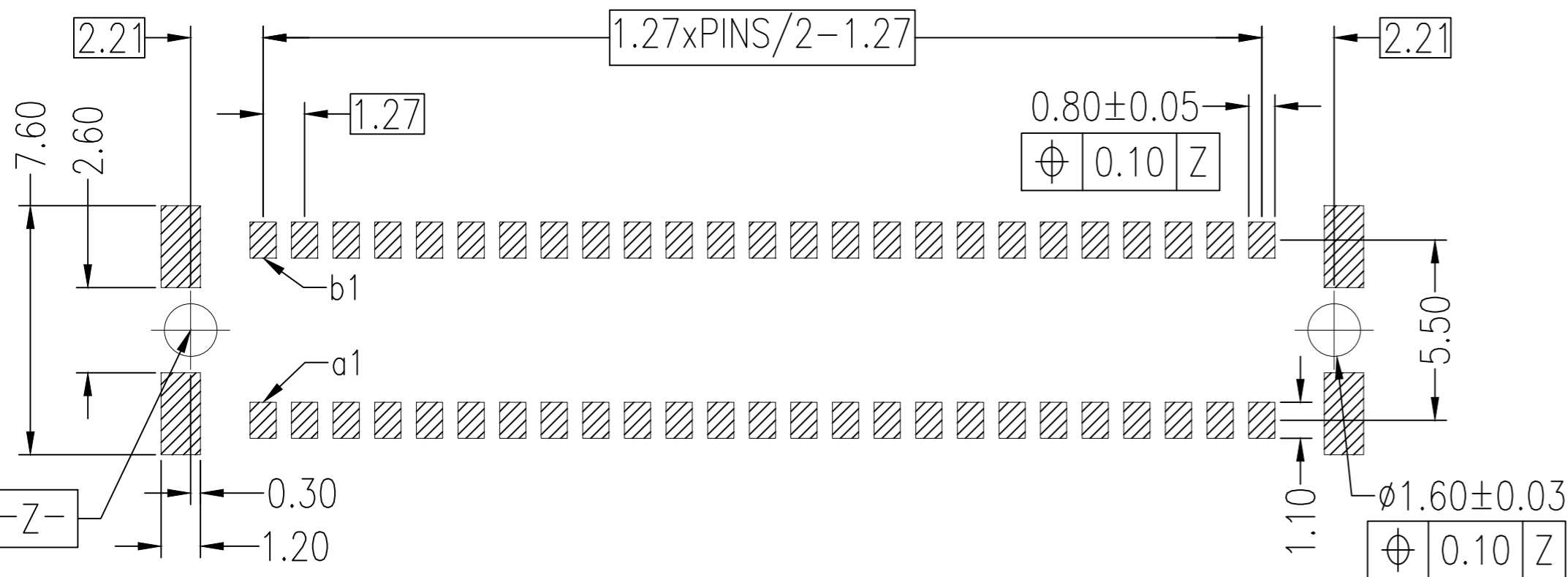
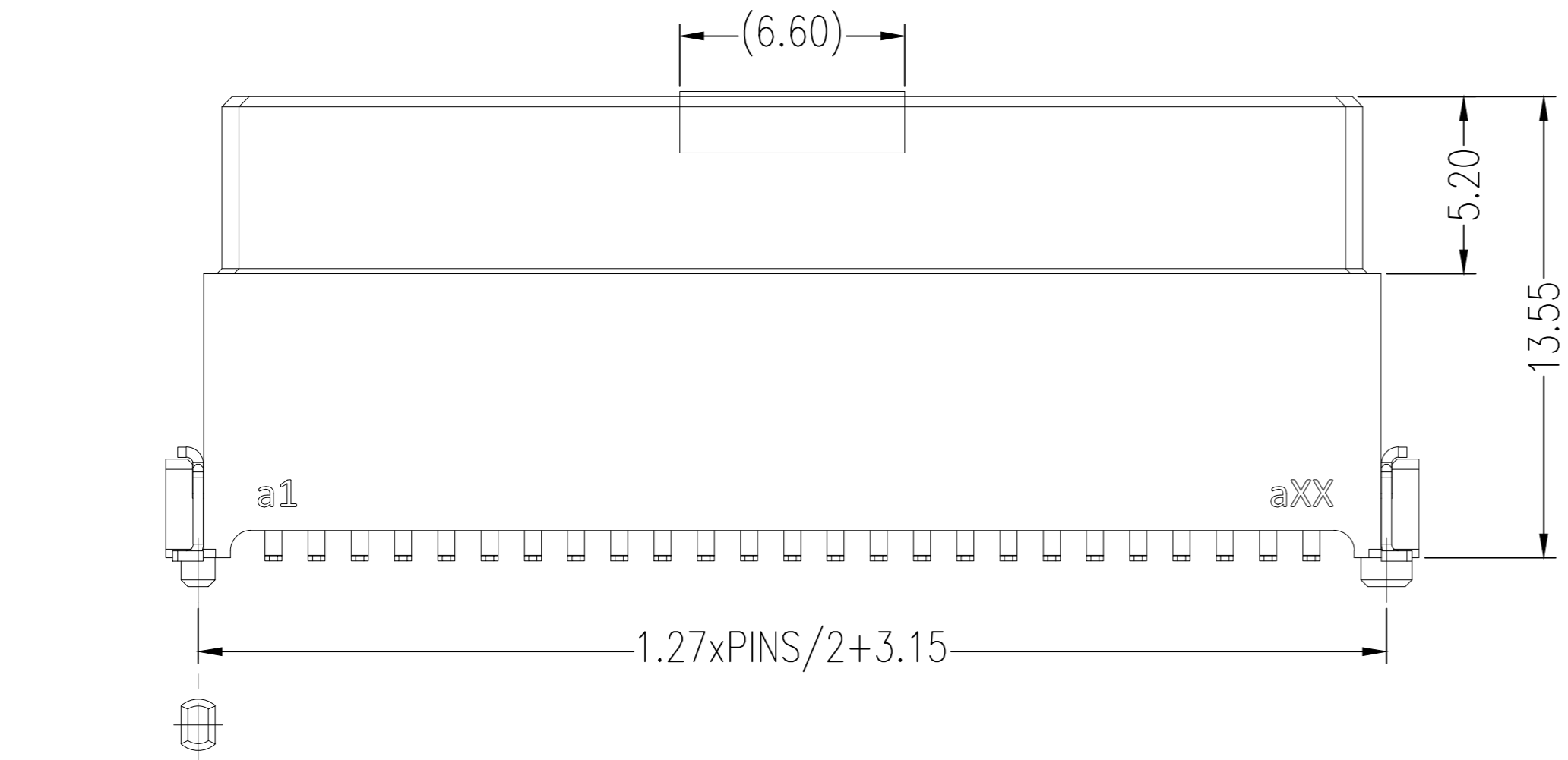
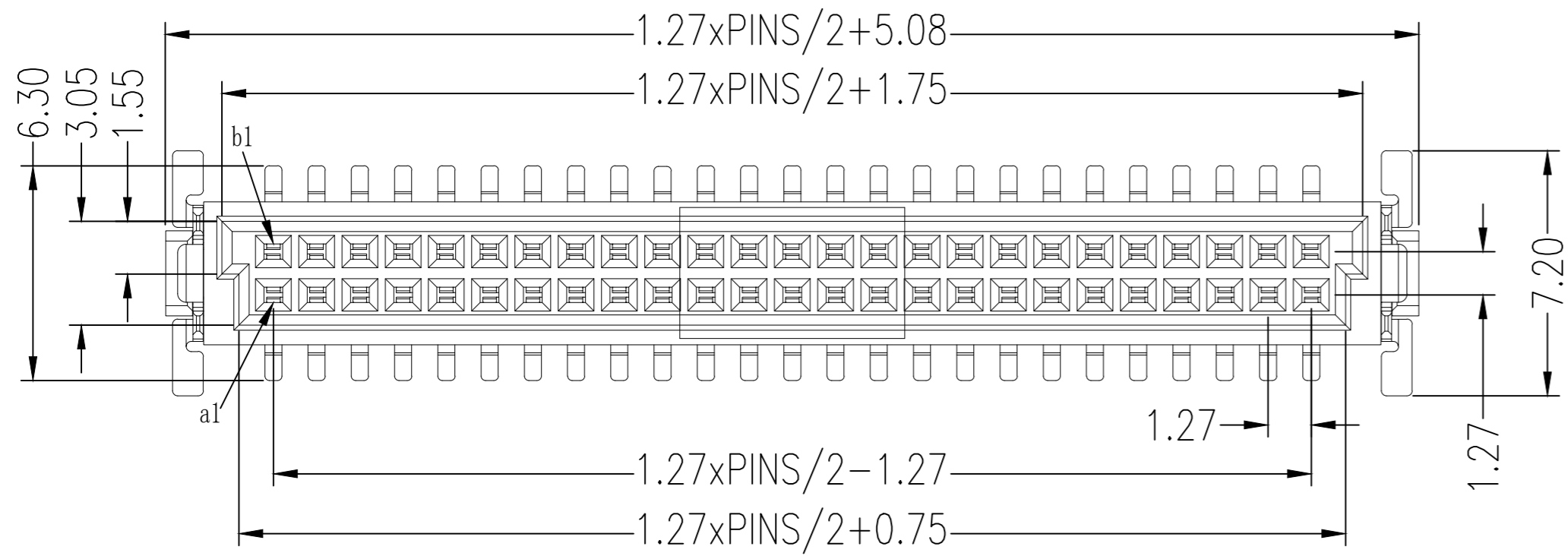


REVISIONS				
P	LTR	DESCRIPTION	DATE	APVD
B		ECR-19-006646	25APR2019	Z.W S.M



RECOMMENDED P.C.B LAYOUT
(COMPONENT SIDE)

NOTES:

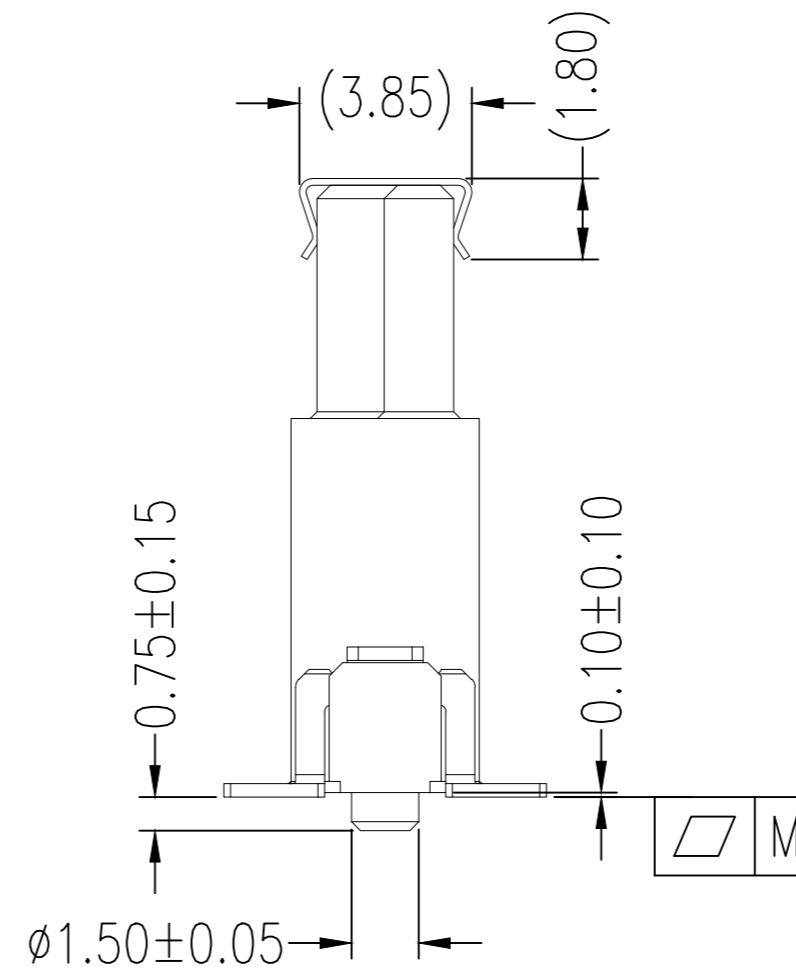
- 1,Current Rating: 1.0AMP
- 2,Contact Resistance: 25mΩ Max
- 3,Withstand Voltage: 500V AC/DC
- 4,Insulation Resistance: 10000MΩ Min
- 5,Operation Temperature: -55°C to +125°C

- 6,Contact Material: Copper alloy
- 7,Contact Plating:

Gold on contact area,
Tin on soldering area,
Nickel underplating overall.

- 8,Insulator Material:
High Temperature Plastic, UL94V-0, BK

Recommended soldering process:
IR Soldering,Peak temperature:260°C,5s



PINS	M
10~40PIN	0.12
42~100PIN	0.15

REEL	80	8-2271931-0
REEL	68	6-2271931-8
REEL	50	5-2271931-0
REEL	40	4-2271931-0
REEL	32	3-2271931-2
REEL	30	3-2271931-0
REEL	26	2-2271931-6
REEL	20	2-2271931-0
REEL	16	1-2271931-6
REEL	12	1-2271931-2
REEL	10	1-2271931-0
PACKING	PINS	PN

THIS DRAWING IS A CONTROLLED DOCUMENT.		DWN	GEORGE FU	04APR2018	 TE Connectivity Ltd.
DIMENSIONS:		CHK	GEORGE FU	04APR2018	
mm		APVD	SHI MING	04APR2018	
TOLERANCES UNLESS OTHERWISE SPECIFIED:		NAME			
0 PLC	± 0.5	1.27MM PITCH,FEMALE VIOLA SMT CONNECTOR			
1 PLC	± 0.3	13.65H,VERTICAL			
2 PLC	± 0.3	-			
3 PLC	± -	-			
4 PLC	± -	-			
ANGLES	± -	-			
FINISH	± -	-			
MATERIAL	-	WEIGHT	-	SIZE	A2
-		CUSTOMER DRAWING		CAGE CODE	00779
-		-		DRAWING NO	C=2271931
-		-		RESTRICTED TO	-
-		-		SCALE	1:1
-		-		SHEET	1 of 1
-		-		REV	B

单击下面可查看定价，库存，交付和生命周期等信息

[>>TE Connectivity\(泰科\)](#)