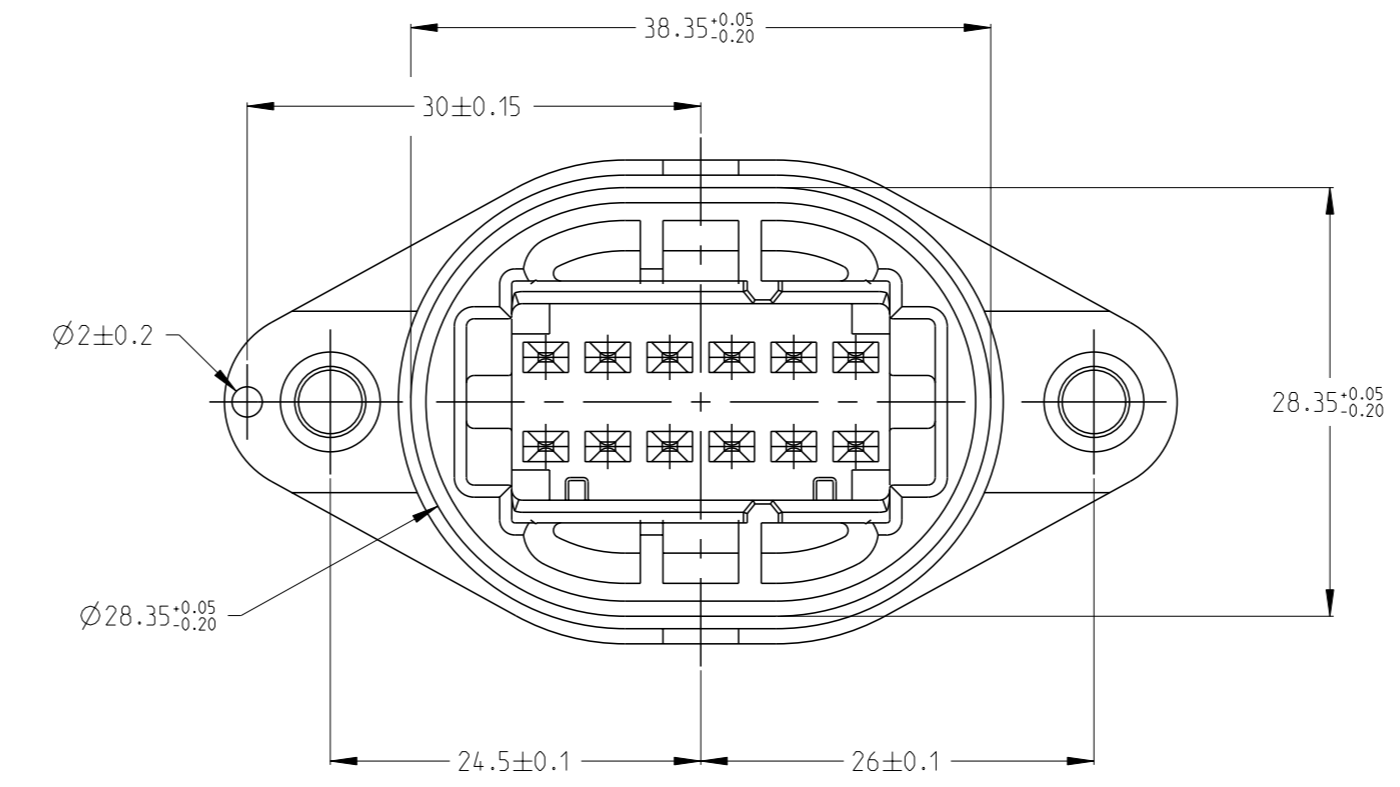
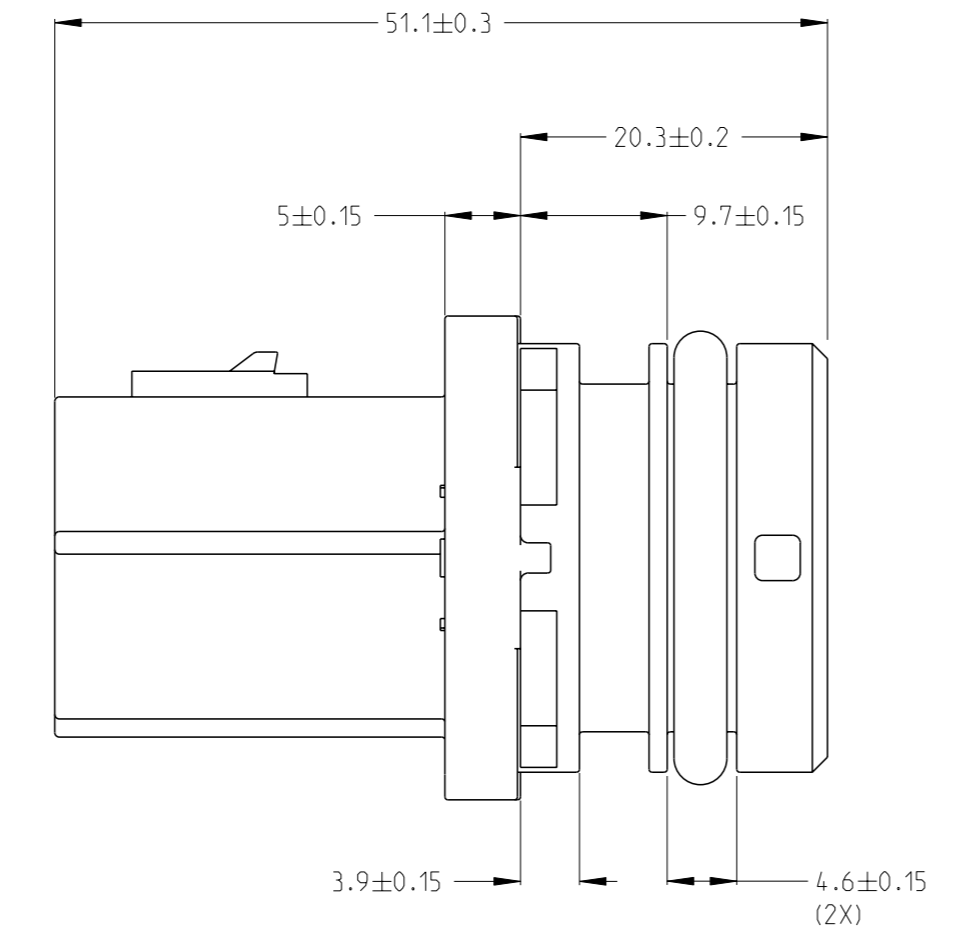
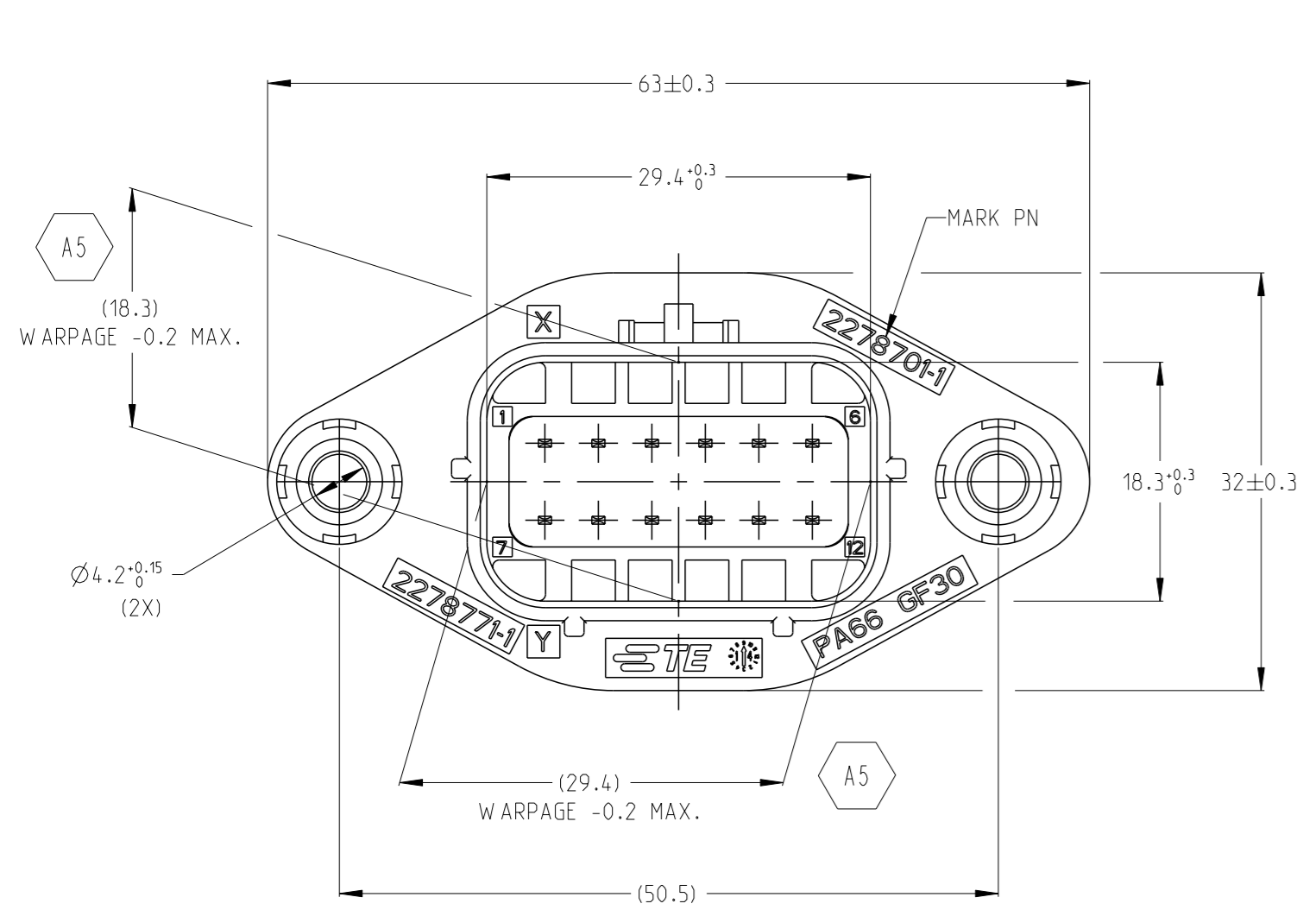
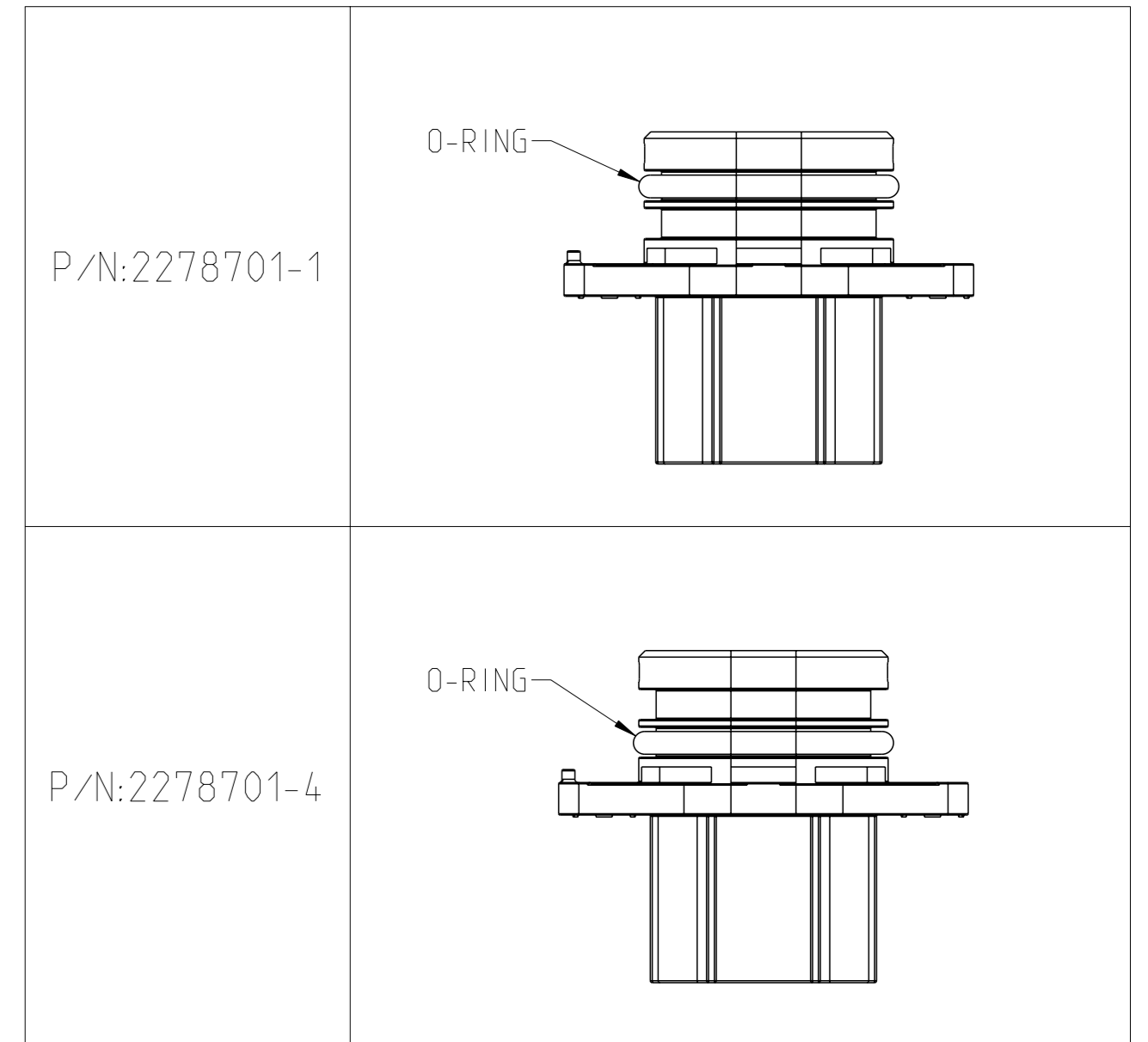
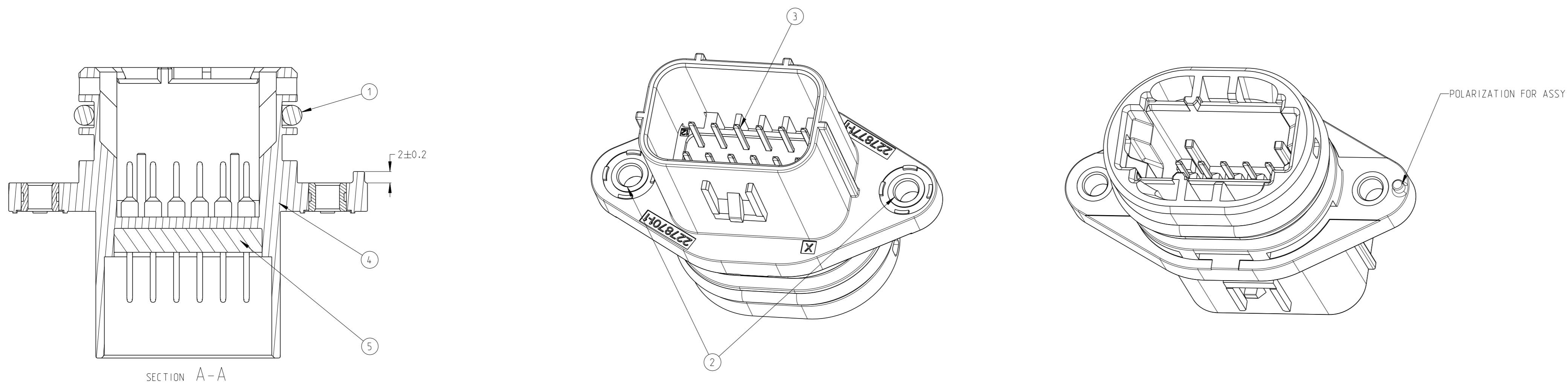


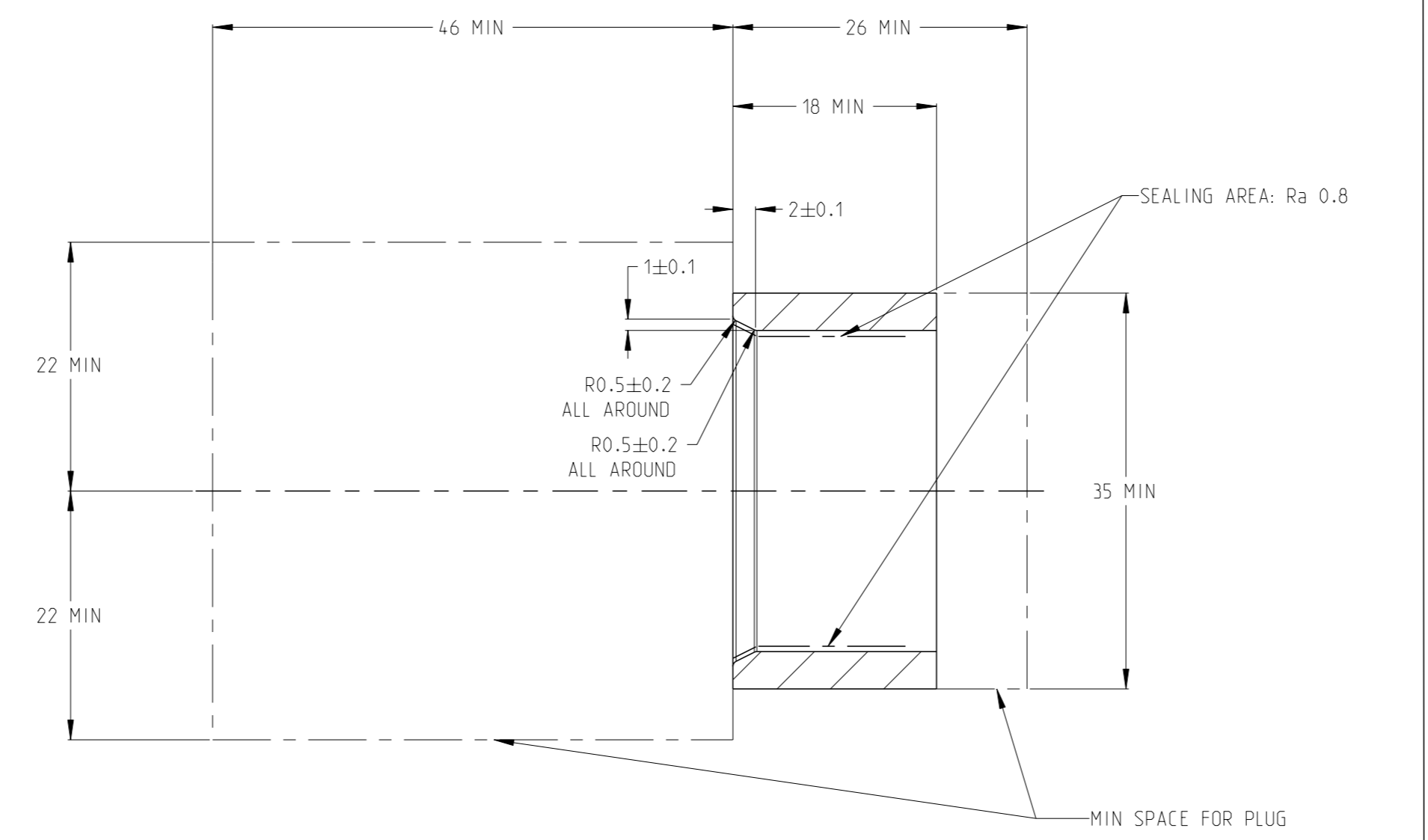
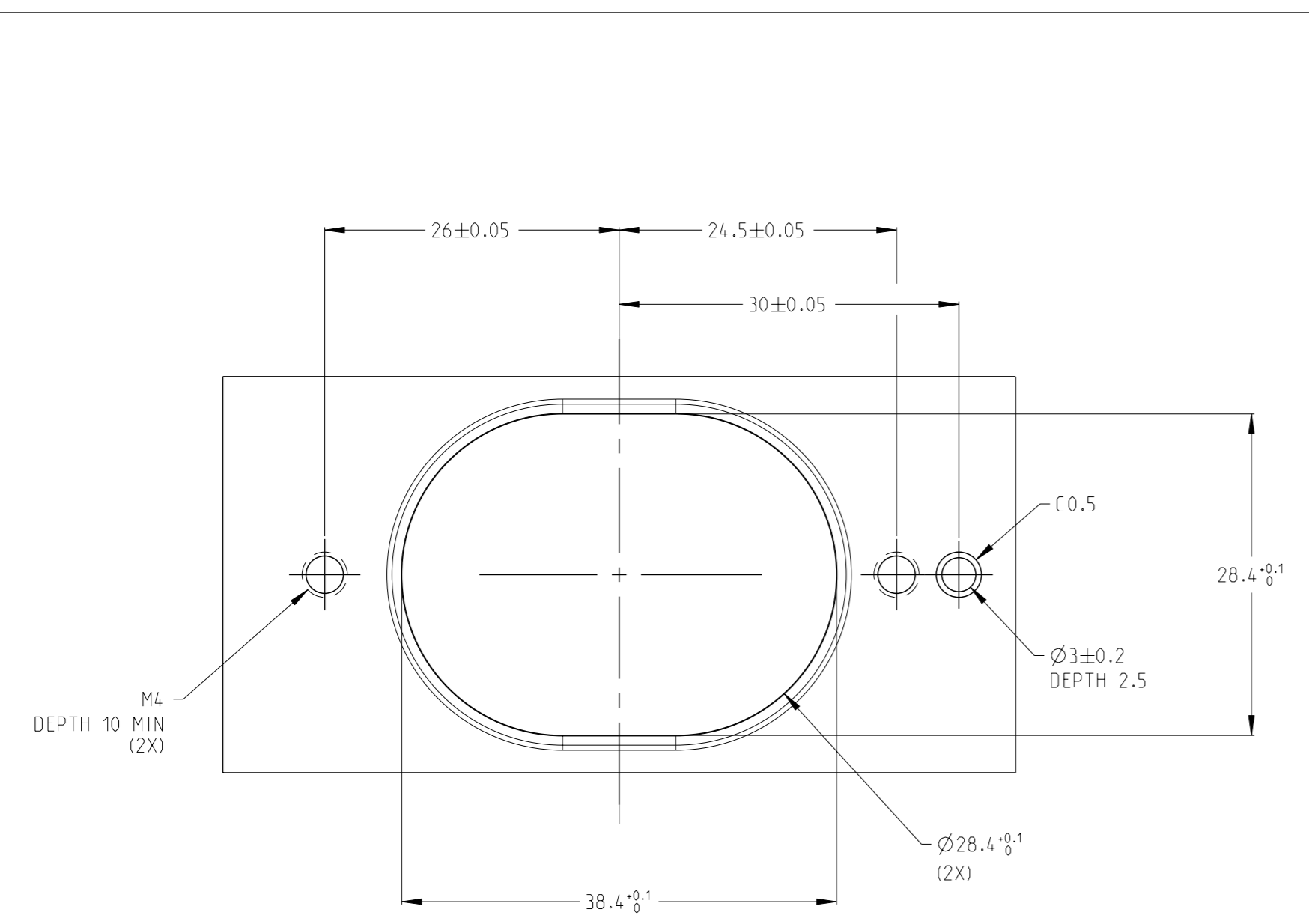
2278701-1 AS SHOWN

REVISIONS				
P.	CTH	DESCRIPTION	DATE	OWN APVD
A2		REVISED (ECR-16-012813)	14SEP16	X.L I.Y
A3		REVISED (ECR-17-018023)	02JAN18	X.L W.W
A4		REVISED (ECR-20-001082)	08JUL20	H.S W.W
A5		REVISED (ECR-20-011408)	13AUG20	H.S W.W



- NOTES:
- MATERIAL SEE TAB.1
 - TERMINAL PLATING : Ag OVER Ni FOR CONTACT AREA
 - MATING P/N INFORMATION:
OUTSIDE : 1897462-2
INSIDE : 2278770-1 , 2278770-2

PACKAGE INFORMATION		
ORDER PN	MARK PN	TRAY PACKING QUANTITY
2278701-1	2278701-1	40 PCS/TRAY
2278701-4	2278701-1	40 PCS/TRAY



RECOMMENDED CONNECTOR ASSEMBLY INTERFACE

QTY	DESCRIPTION	MATERIAL	ITEM NO.
1	GLUE		5
1	HOUSING CODING A	PA66 GF30 BLACK	4
12	TERMINAL	BRASS	3
2	BUSHING	BRASS	2
1	O-RING		1
2278701-4	2278701-1	DESCRIPTION	MATERIAL
			ITEM NO.

THIS DRAWING IS A CONTROLLED DOCUMENT.

OWN: X.LI 02SEP2014
CHK: E.JIANG 13JAN2015
APVD: L.YIN 13JAN2015

TE Connectivity

NAME: 12P THROUGH WALL CONNECTOR

SIZE: A1 CAGE CODE: DRAWING NO: C=2278701

SCALE: 2:1 SHEET 1 OF 1 REV: A5

单击下面可查看定价，库存，交付和生命周期等信息

[>>TE Connectivity\(泰科\)](#)