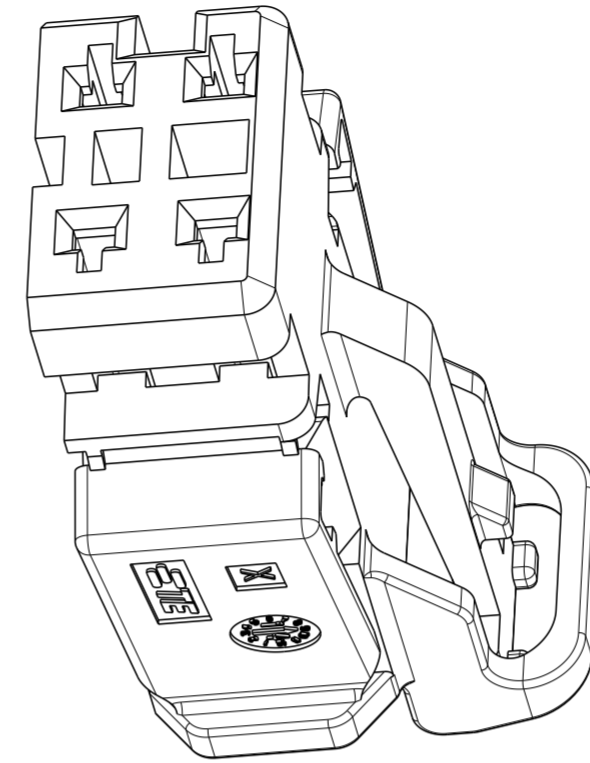
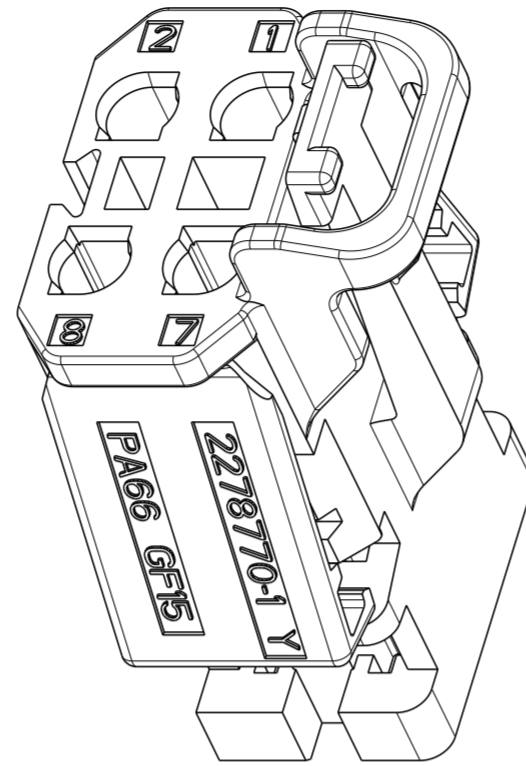
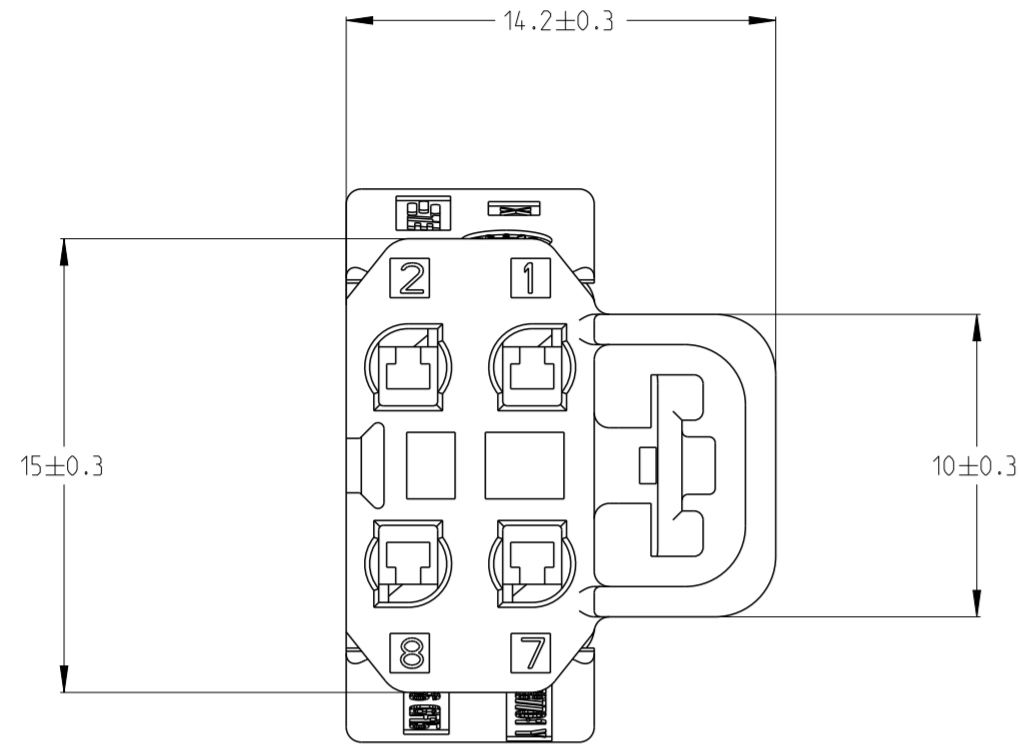
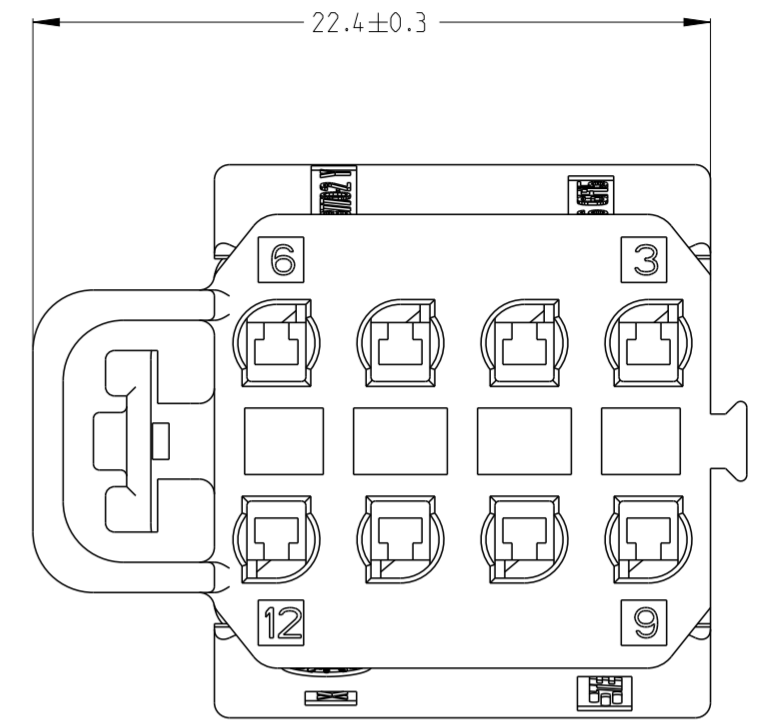


THIS DRAWING IS UNPUBLISHED. RELEASED FOR PUBLICATION 20
 © COPYRIGHT 20 BY - ALL RIGHTS RESERVED.

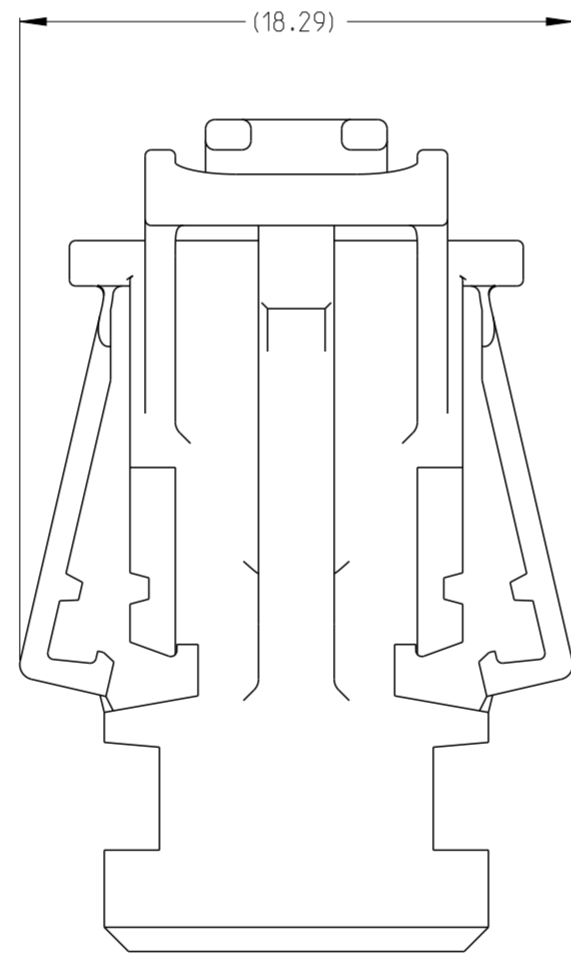
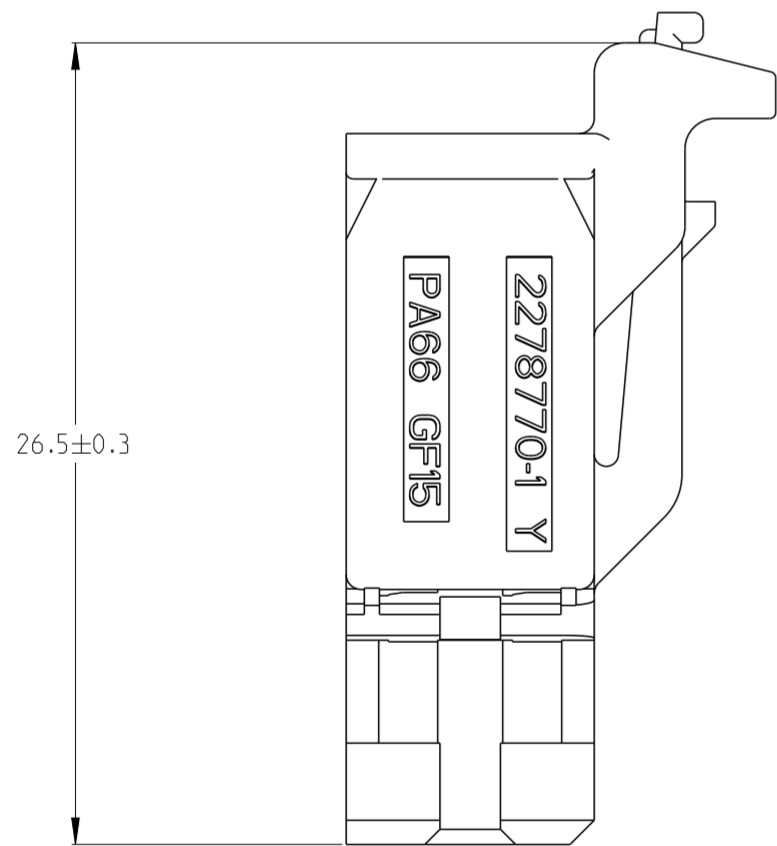
2278770-1
 4 POSITION AS SHOWN



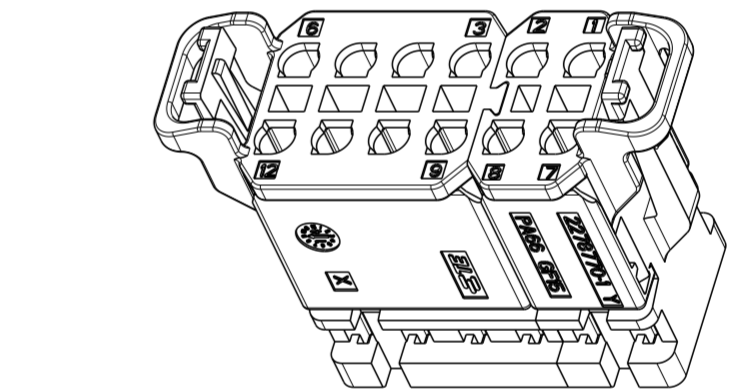
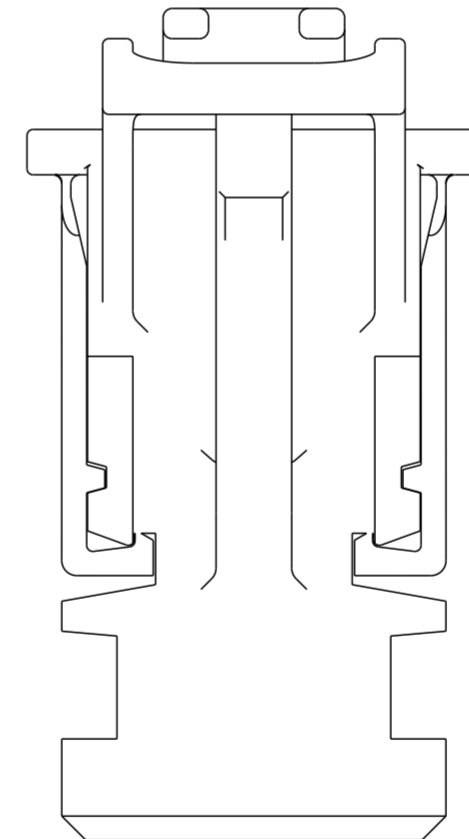
| REVISIONS | | | | | |
|-----------|-----|-------------------------|---------|-----|------|
| P | LTR | DESCRIPTION | DATE | DWN | APVD |
| A1 | | RELEASED | 13JAN15 | X.L | I.Y |
| B | | REVISED (ECR-16-012813) | 14SEP16 | X.L | I.Y |



2278770-2
 8 POSITION



SECOND LOCK ENDED POSITION



4 POSITION AND 8 POSITION ASSY

NOTES:

- 1. MATERIAL : PA66 GF15
 COLOR: SEE TABLE
- 2. MATING TE P/N : 2278701
- 3. SUITABLE CONTACT :
 0.25-0.35mm2 7-1452653-3
 0.50-0.75mm2 7-1452656-3

| PART NUMBER | 2278770-1 | 2278770-2 | 2278770-3 | 2278770-4 |
|------------------------|-----------|-----------|-----------|-----------|
| COLOR | BLACK | BLACK | BLACK | BLACK |
| TERMINAL CAVITY NUMBER | | | | |

THIS DRAWING IS A CONTROLLED DOCUMENT.

| | |
|-------------|--|
| DIMENSIONS: | TOLERANCES UNLESS OTHERWISE SPECIFIED: |
| mm | 0 PLC ± |
| | 1 PLC ± |
| | 2 PLC ± |
| | 3 PLC ± |
| | 4 PLC ± |
| | ANGLES ± |
| | FINISH - |
| MATERIAL | - |

| | | |
|------------------|----------|-----------|
| DWN | X.LI | 19SEP2014 |
| CHK | E. JIANG | 13JAN2015 |
| APVD | I.YIN | 13JAN2015 |
| PRODUCT SPEC | - | - |
| APPLICATION SPEC | - | - |
| WEIGHT | - | - |
| CUSTOMER DRAWING | - | - |

| | | | |
|-----------------|-----------|------------------|---------------|
| TE Connectivity | | NAME | |
| | | SOCKET 4P AND 8P | |
| SIZE | CAGE CODE | DRAWING NO | RESTRICTED TO |
| A2 | - | C-2278770 | - |
| SCALE | | SHEET | REV |
| 4:1 | | 1 OF 1 | B |

单击下面可查看定价，库存，交付和生命周期等信息

[>>TE Connectivity\(泰科\)](#)