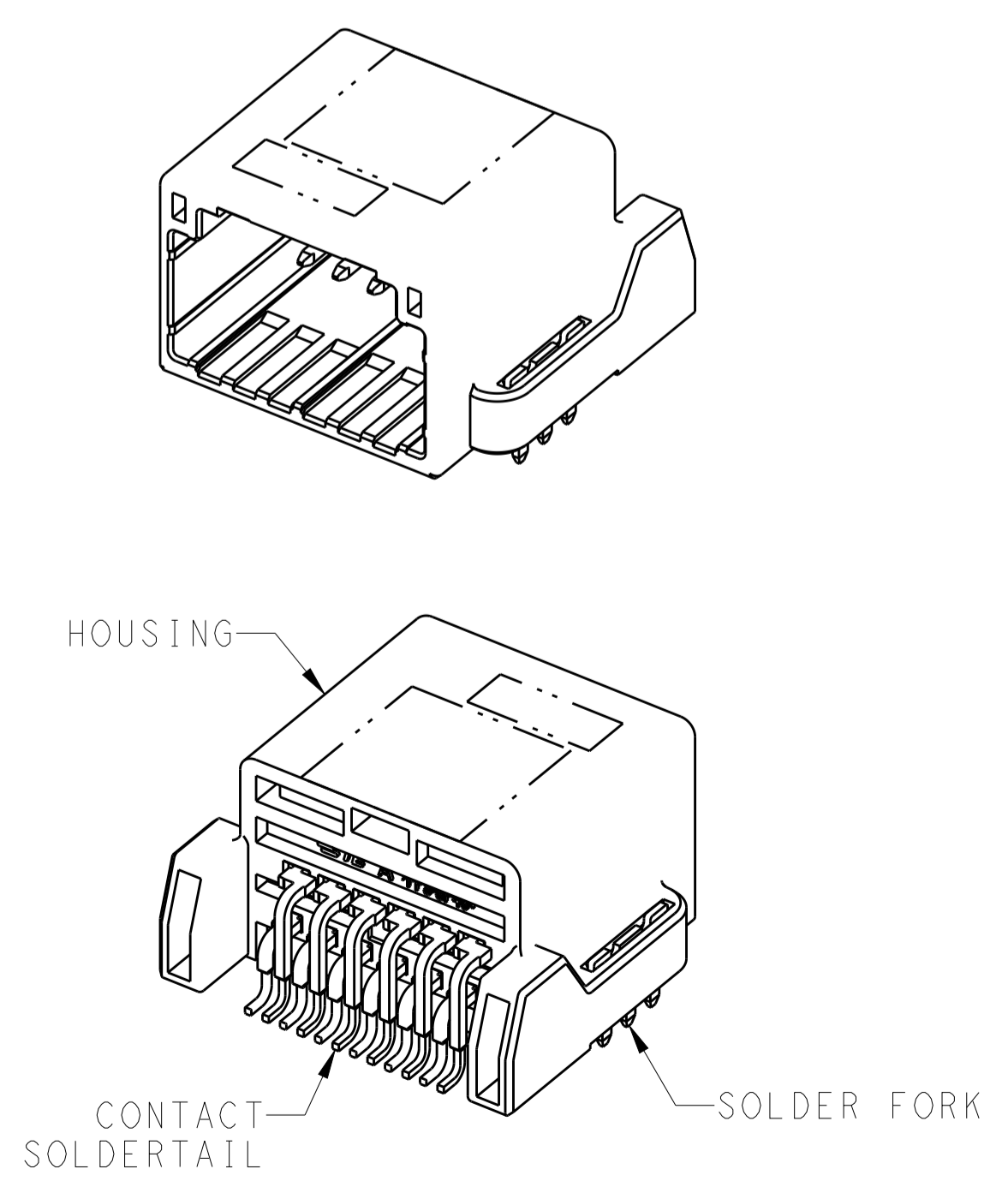
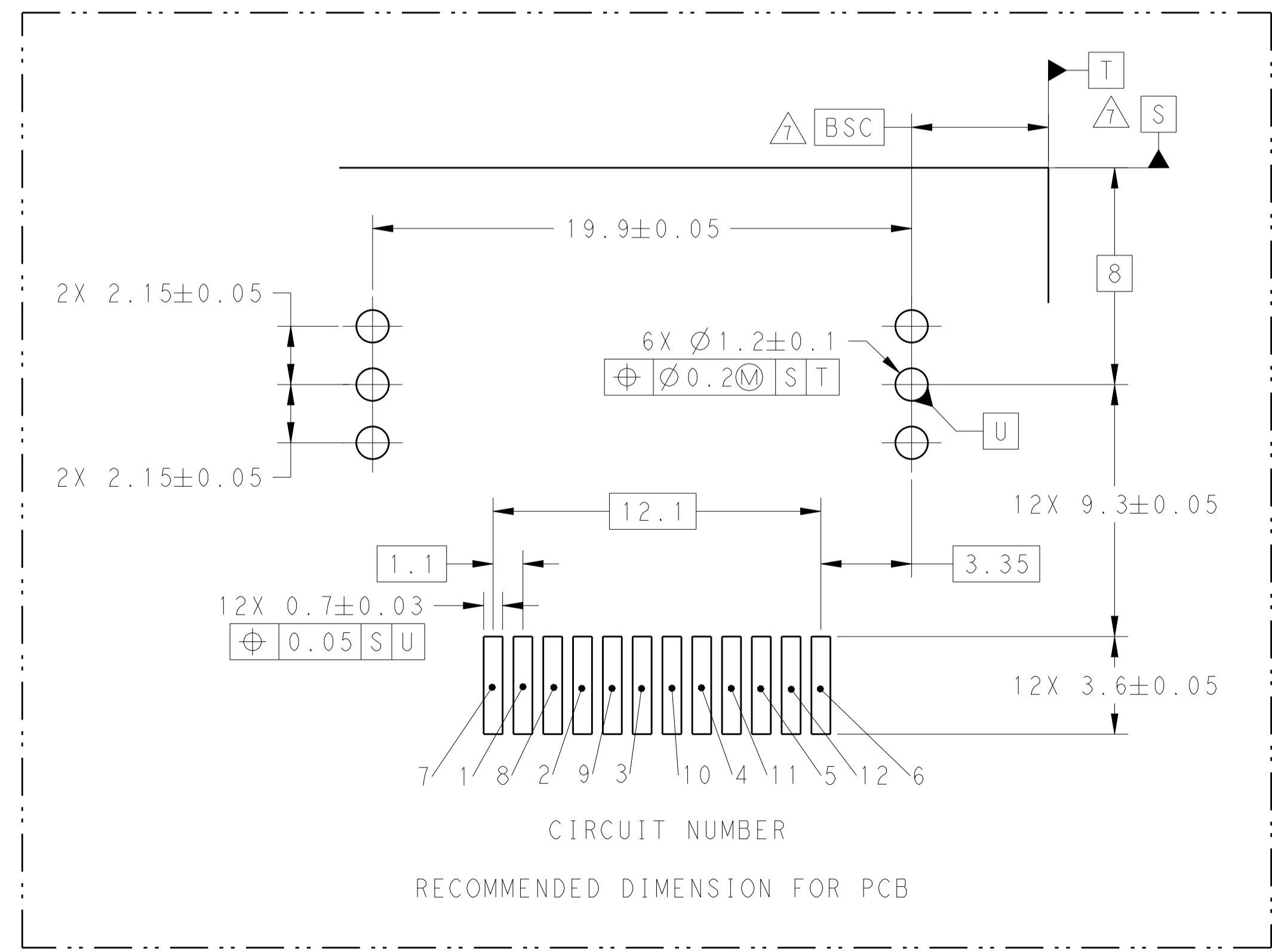
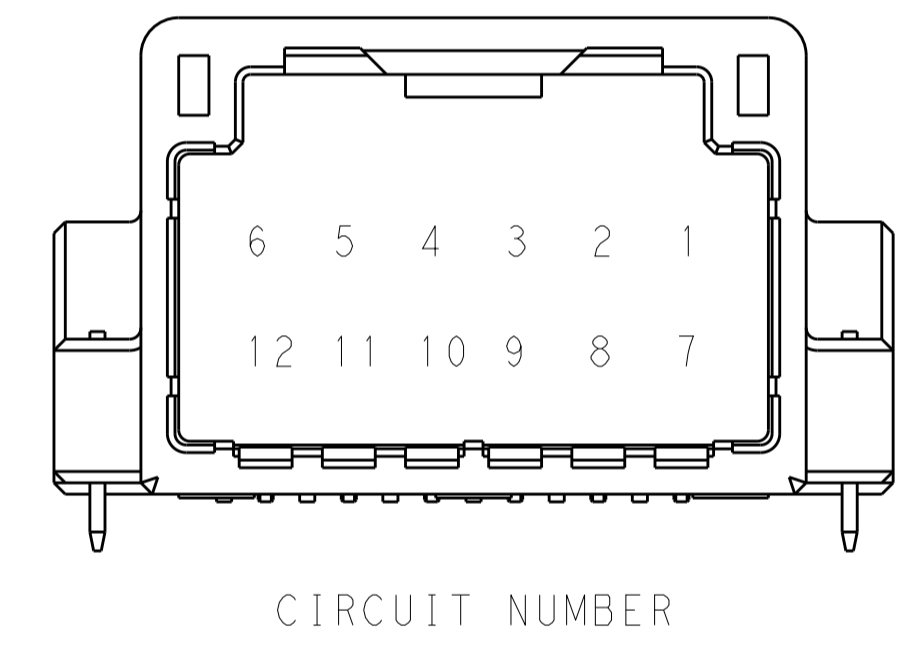
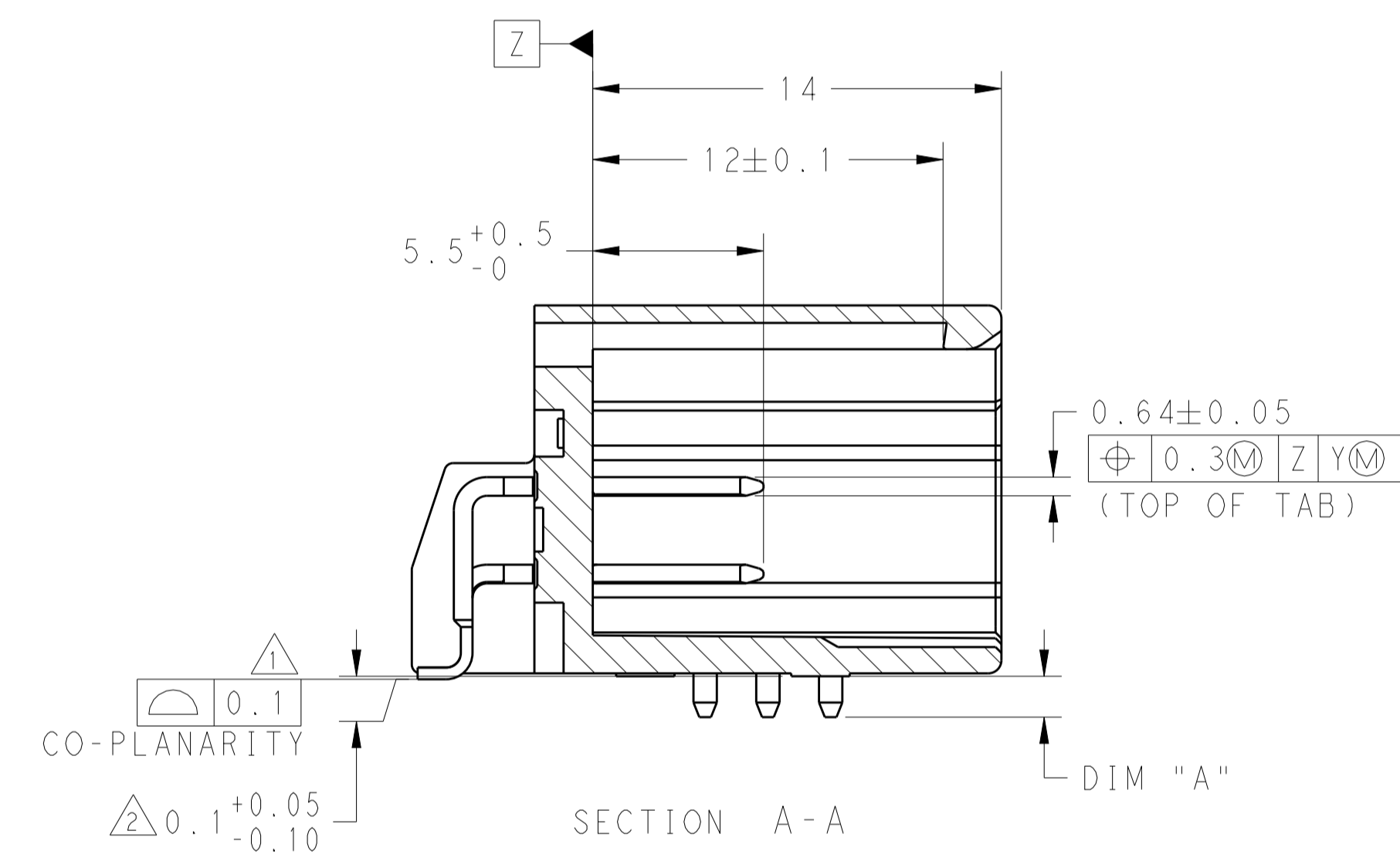
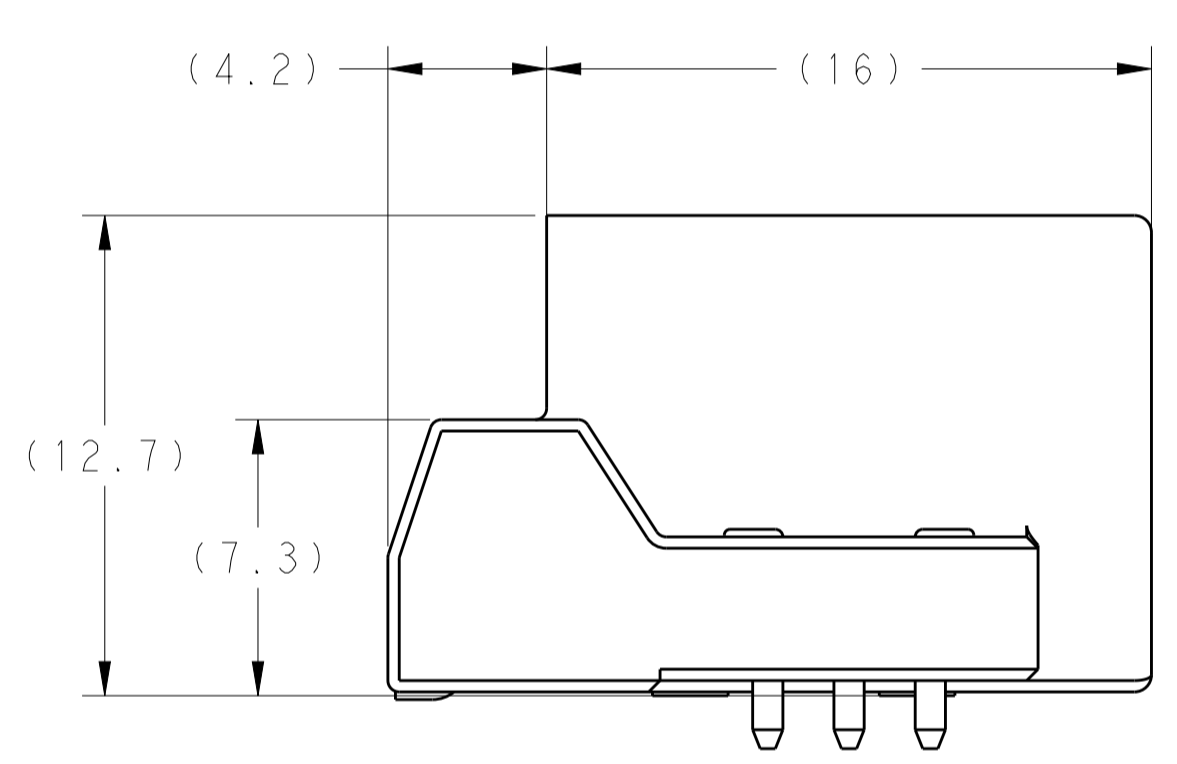
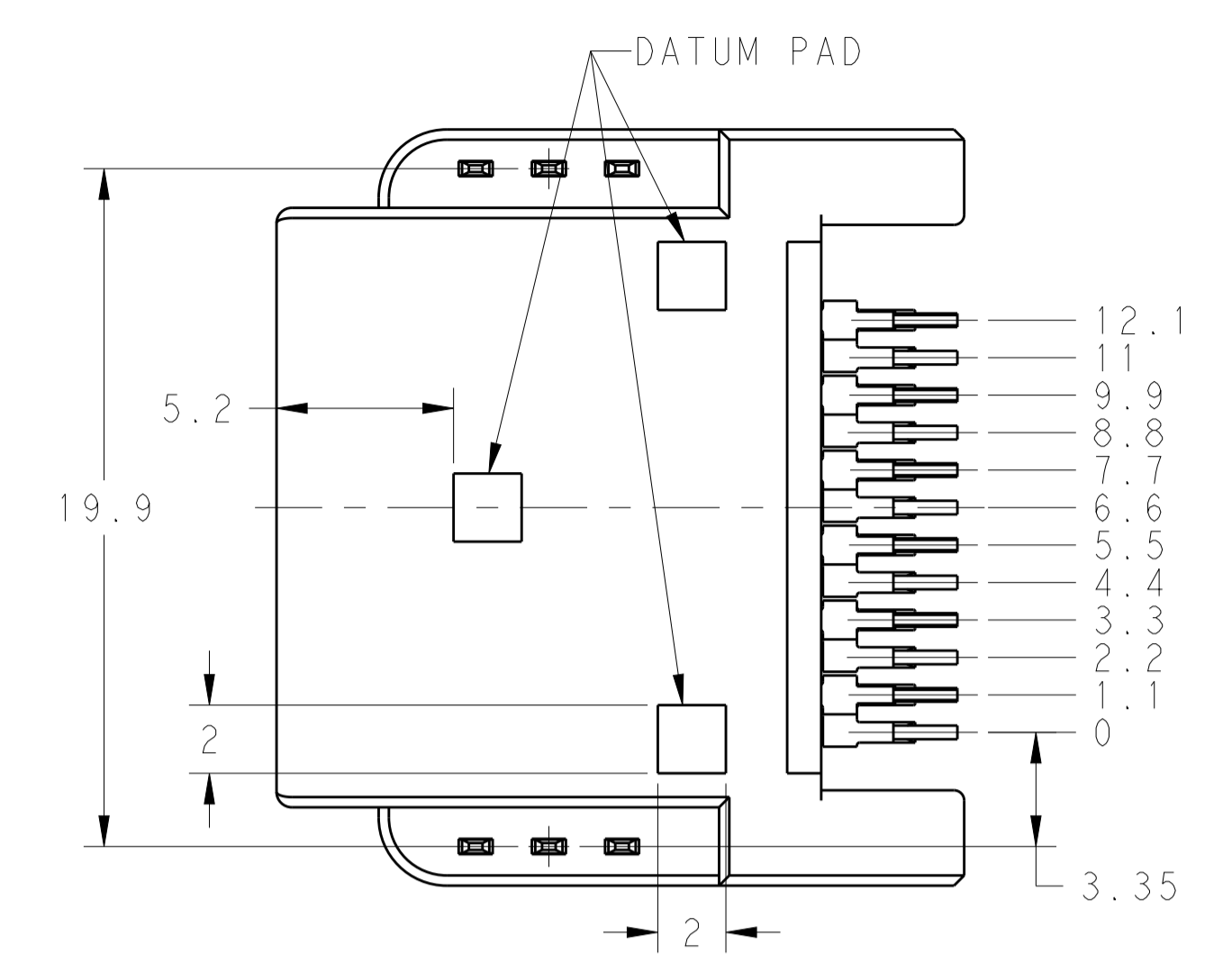
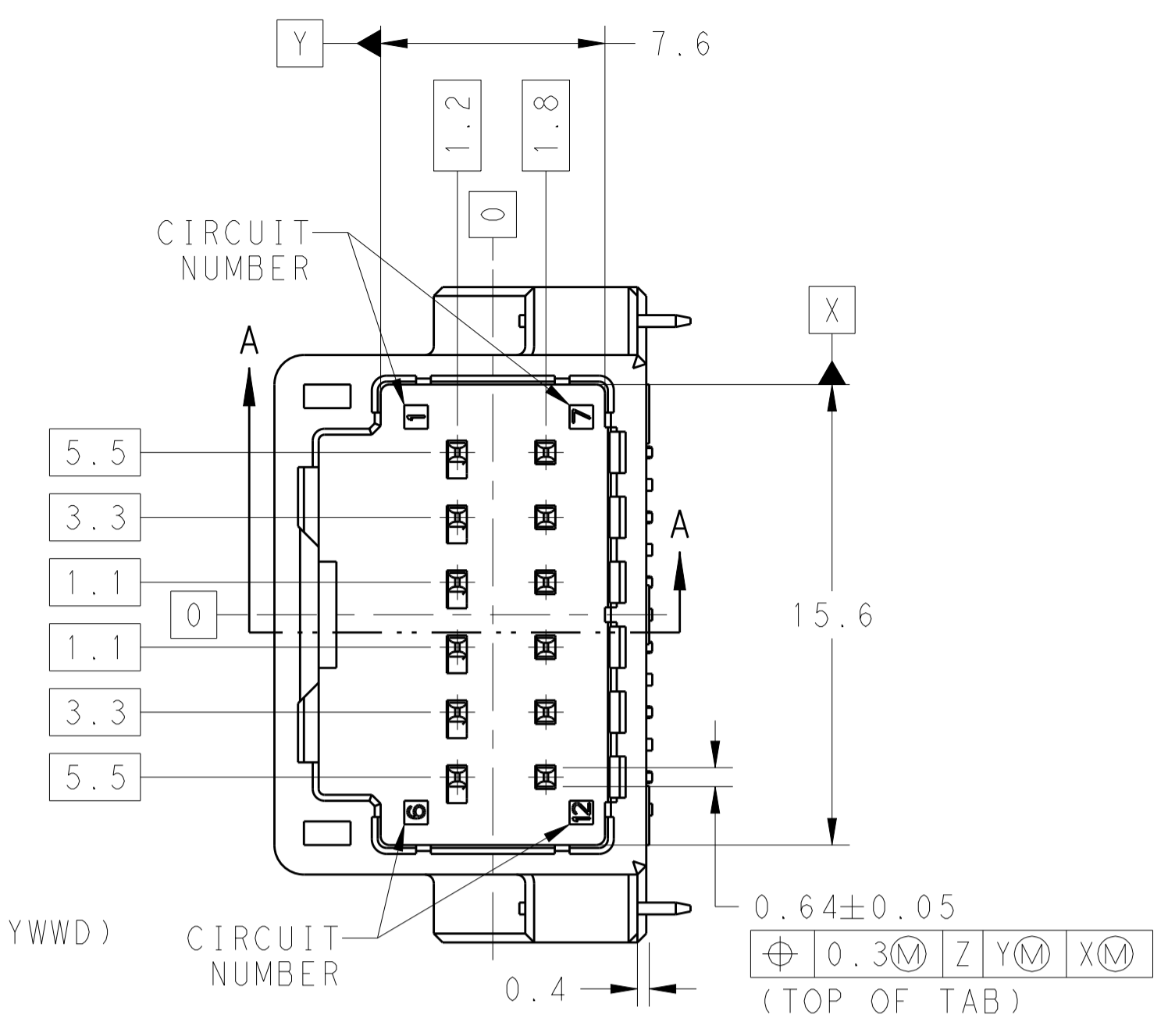
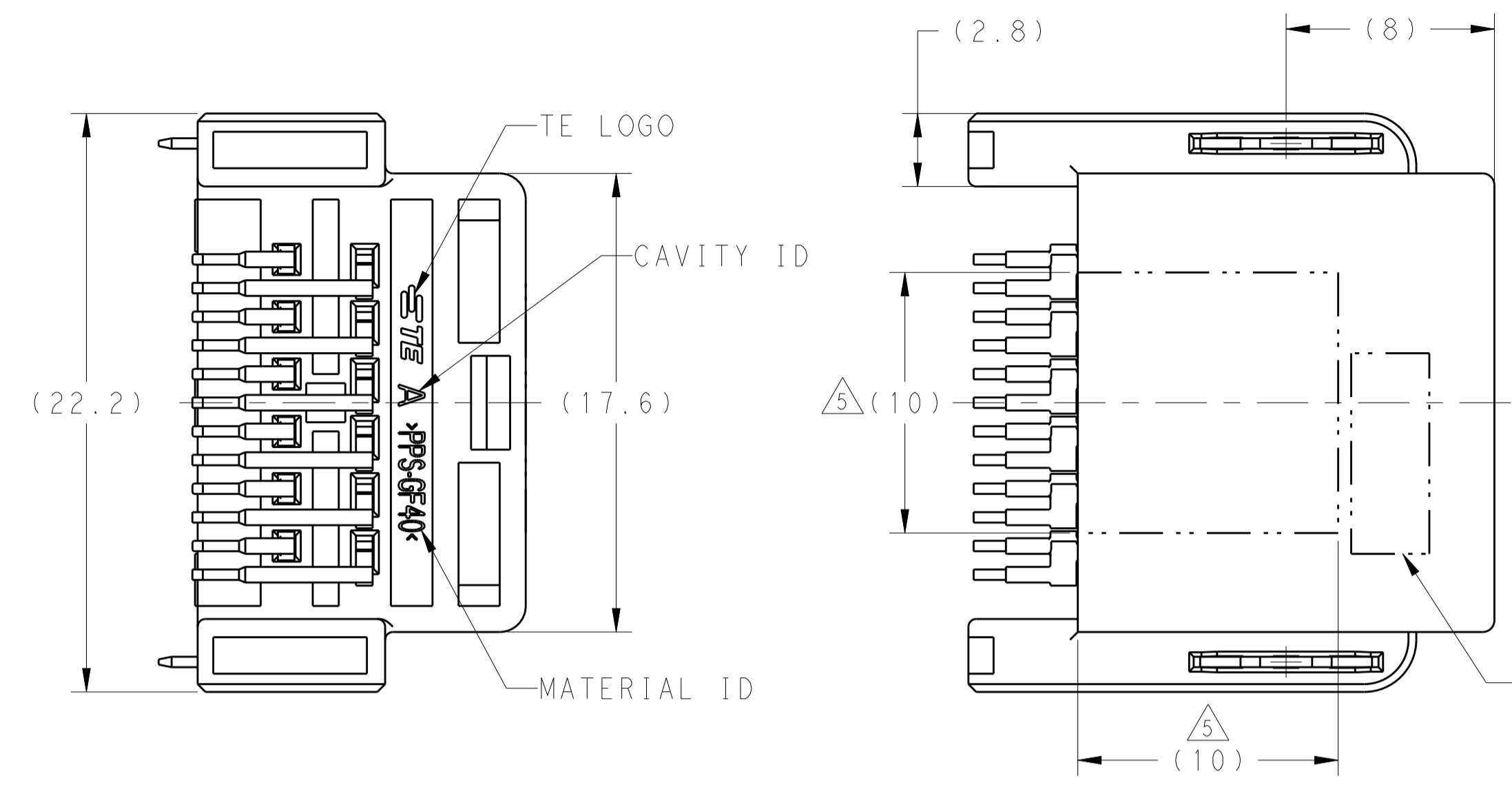


REVISIONS				
P.	LTN.	DESCRIPTION	DATE	DMN. APVD.
A		REVISED ECR-18-004726	29MAR2018	JC LSF
A1		REVISED ECR-20-005123	30DEC2019	JC TK



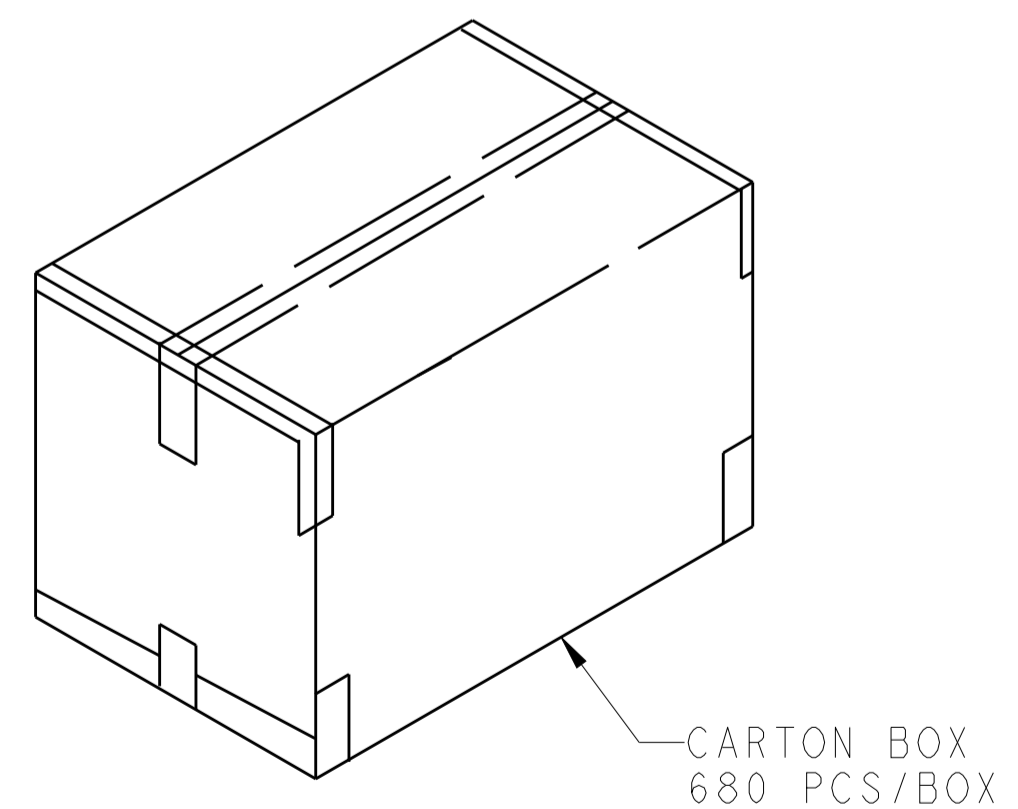
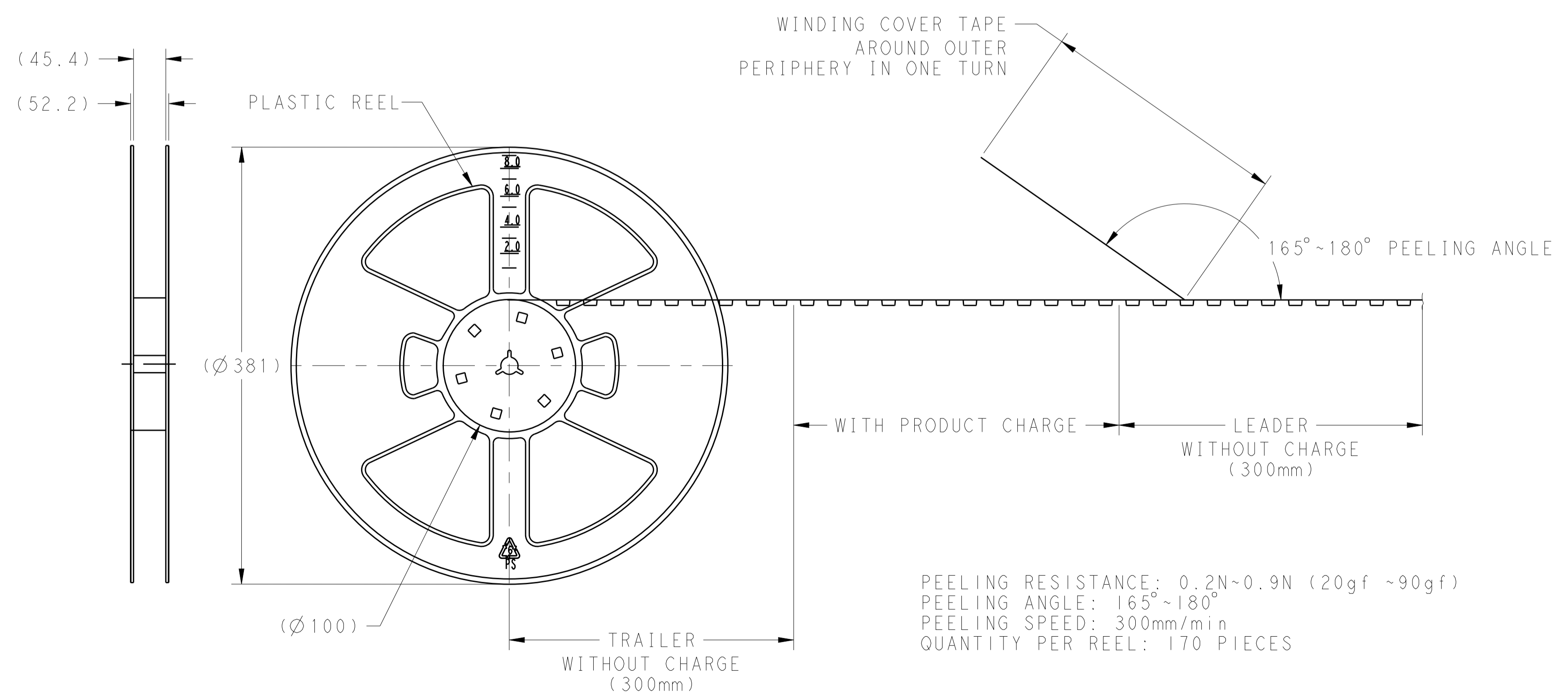
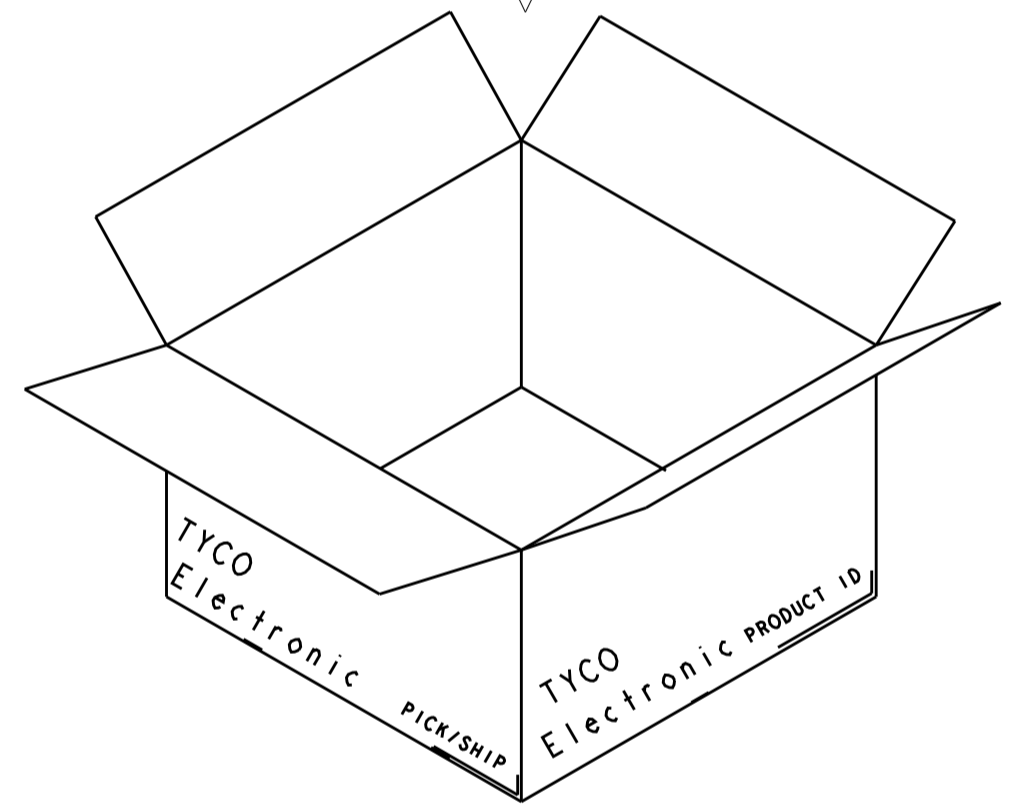
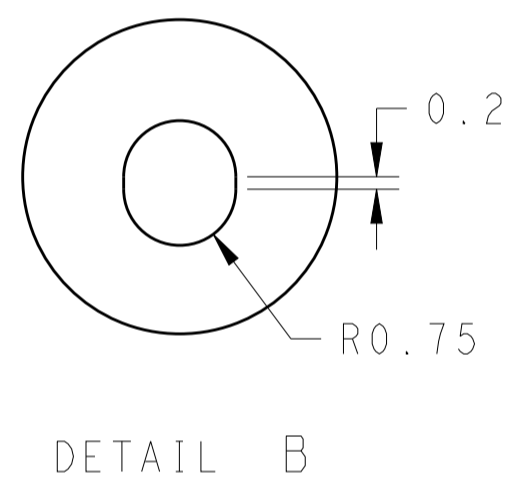
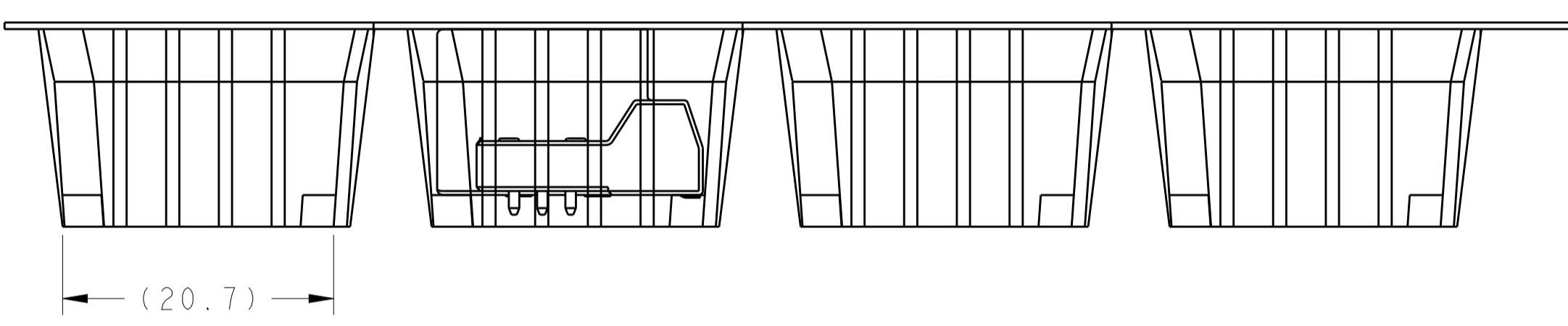
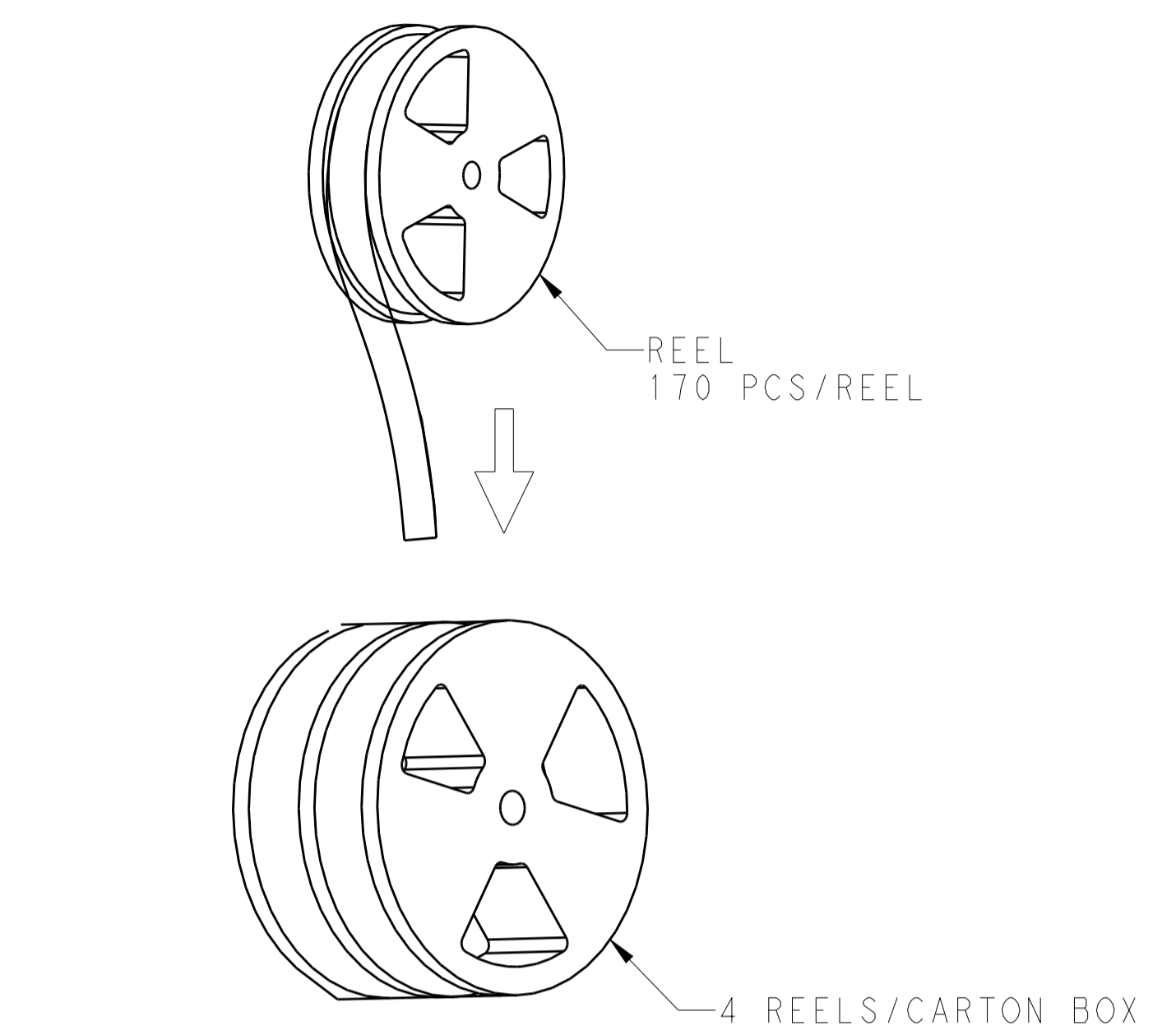
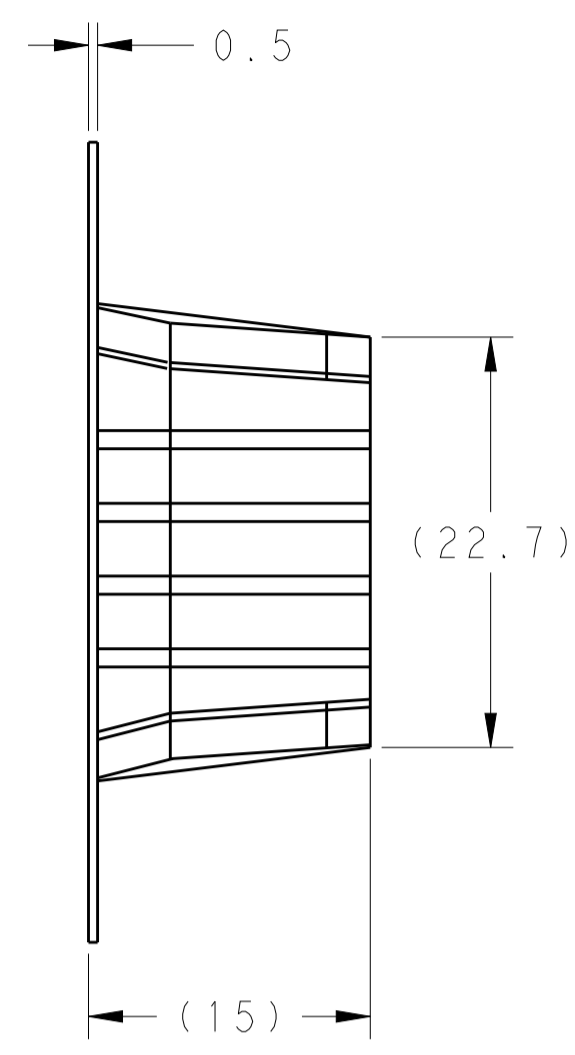
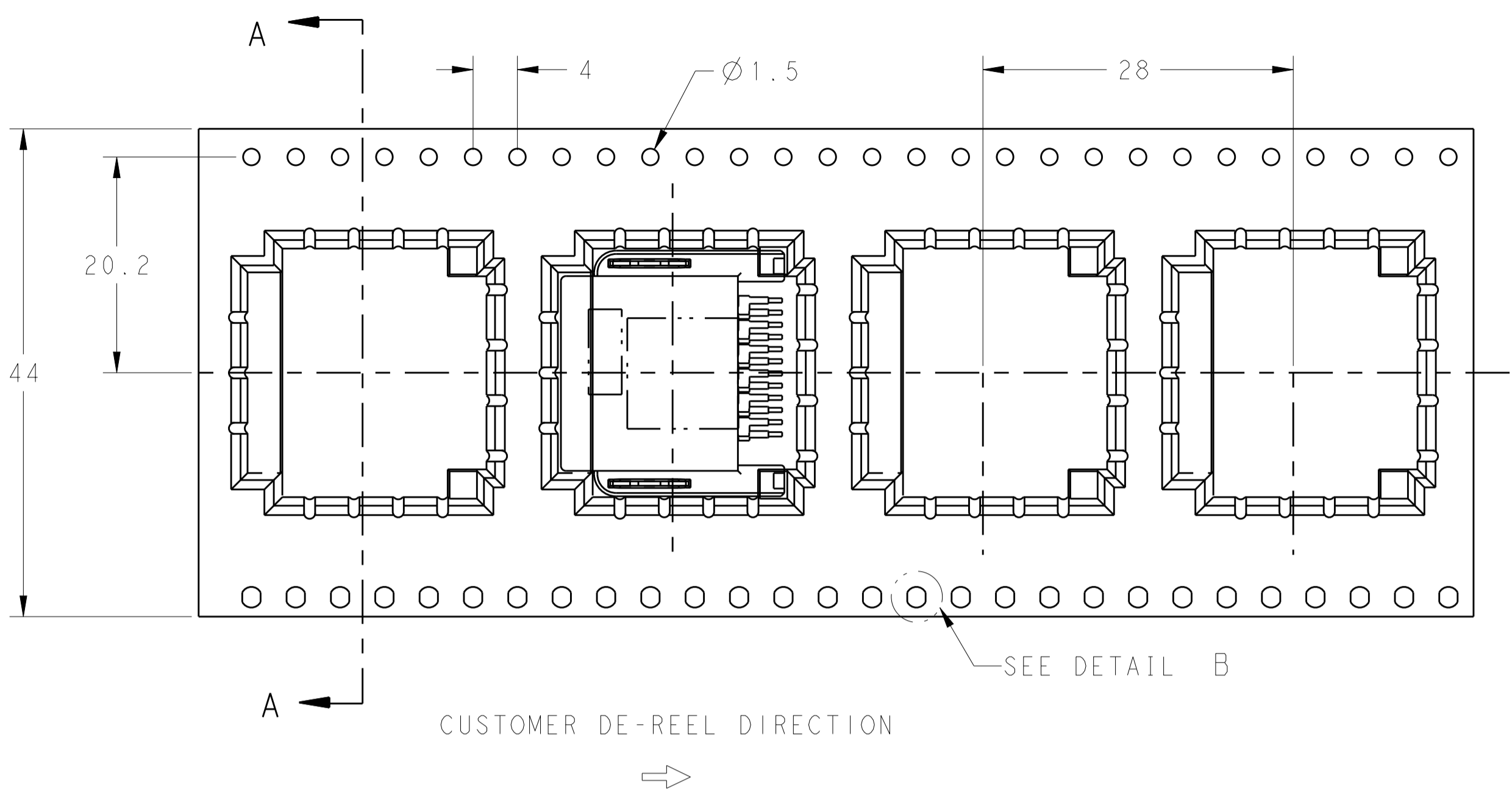
- NOTE:
- $\Delta$  THIS DIMENSION IS MEASURED FROM LOWEST SOLDERTAIL TO HIGHEST SOLDERTAIL ALL SOLDERTAILS TO BE BELOW DATUM PAD
  - $\Delta$  MEASURED FROM DATUM PAD TO SOLDERTAIL
  - 3. WHEN MOUNTING, THICKNESS OF SOLDER PASTE: 0.15mm MIN
  - 4. MATING PLUG PART NUMBER: 1717106-1, 1746872-1
  - $\Delta$  RECOMMENDED AREA FOR CONNECTOR VACUUM PICK UP
  - 6. HANDLING THIS PART SHOULD FOLLOW INSTRUCTION SHEET: 411-51005
  - $\Delta$  DATUMS AND BASIC DIMENSIONS ESTABLISHED BY CUSTOMER

2.8	BRASS	POST TIN OVER Ni	BRASS	POST TIN OVER Ni	PPS	BLACK	2291173-2
1.4							2291173-1
DIM "A"	MATERIAL	PLATING	MATERIAL	PLATING	MATERIAL	COLOR	PART NUMBER
	SOLDER FORK		CONTACT		HOUSING		

THIS DRAWING IS A CONTROLLED DOCUMENT.		DMN. JASON CHOW 30DEC2015	TE Connectivity
DIMENSIONS: mm		CHK. JIL LIM 30DEC2015	
TOLERANCES UNLESS OTHERWISE SPECIFIED:		APVD. SE LEONG 30DEC2015	NAME 12 POSITION CAP ASSEMBLY
0 PLC $\pm 0.3$ 1 PLC $\pm 0.3$ 2 PLC $\pm 0.3$ 3 PLC $\pm 0.3$ 4 PLC $\pm 0.3$ ANGLES $\pm 0.3$		PRODUCT SPEC 108-51110	SIZE CAGE CODE DRAWING NO. RESTRICTED TO
MATERIAL SEE TABLE	FINISH SEE TABLE	WEIGHT 3.5g	A100779 ©=2291173
CUSTOMER DRAWING		SCALE 5:1	SHEET 1 OF 2 REV A1

REVISIONS				
P.	LTN	DESCRIPTION	DATE	APVD
-	-	SEE SHEET 1	-	-



PEELING RESISTANCE: 0.2N~0.9N (20gf ~90gf)  
 PEELING ANGLE: 165°~180°  
 PEELING SPEED: 300mm/min  
 QUANTITY PER REEL: 170 PIECES

THIS DRAWING IS A CONTROLLED DOCUMENT.		OWN: JASON CHOW 30DEC2015	<b>STE</b> TE Connectivity
DIMENSIONS: mm		CHK: JIL LIM 30DEC2015	
TOLERANCES UNLESS OTHERWISE SPECIFIED:		APVD: SE LEONG 30DEC2015	NAME: 12 POSITION CAP ASSEMBLY
0 PLC ±0.3		PRODUCT SPEC	SIZE: CAGE CODE DRAWING NO
1 PLC ±0.3		APPLICATION SPEC	RESTRICTED TO
2 PLC ±0.3		WEIGHT	A100779C=2291173
3 PLC ±0.3		CUSTOMER DRAWING	SCALE: NTS SHEET 2 OF 2 REV: A1
4 PLC ±0.3			
ANGLES ±0.3			
FINISH ±0.1			

单击下面可查看定价，库存，交付和生命周期等信息

[>>TE Connectivity\(泰科\)](#)