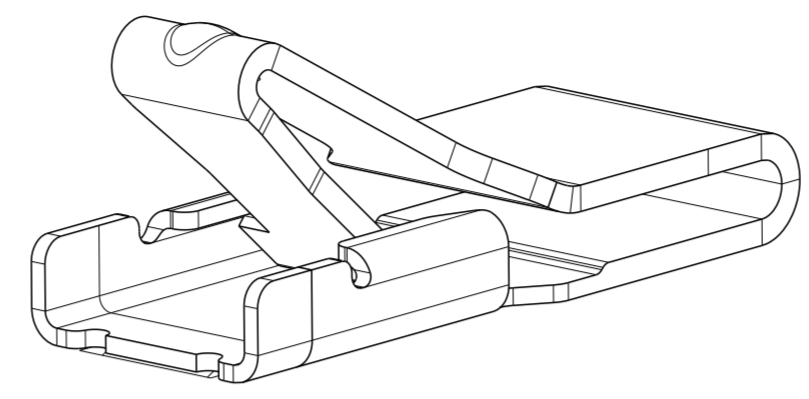
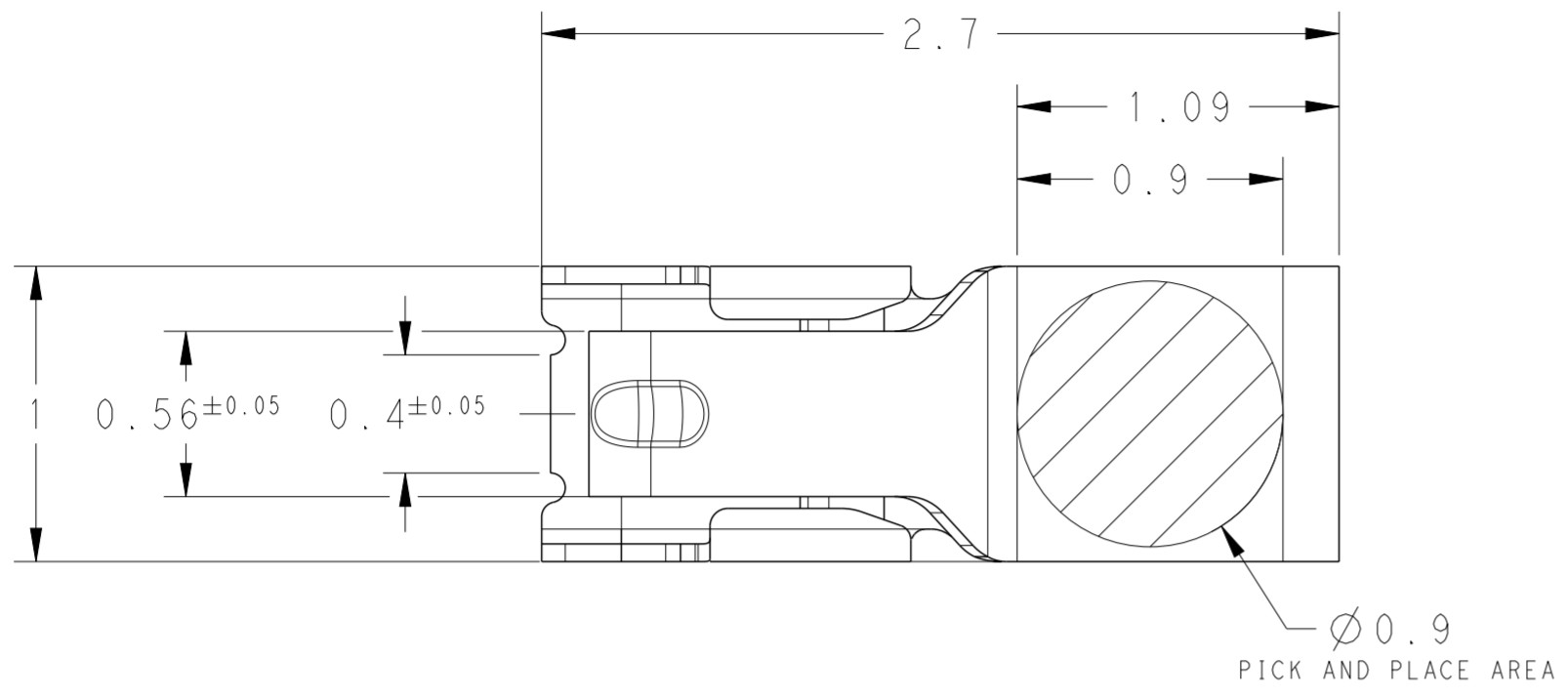
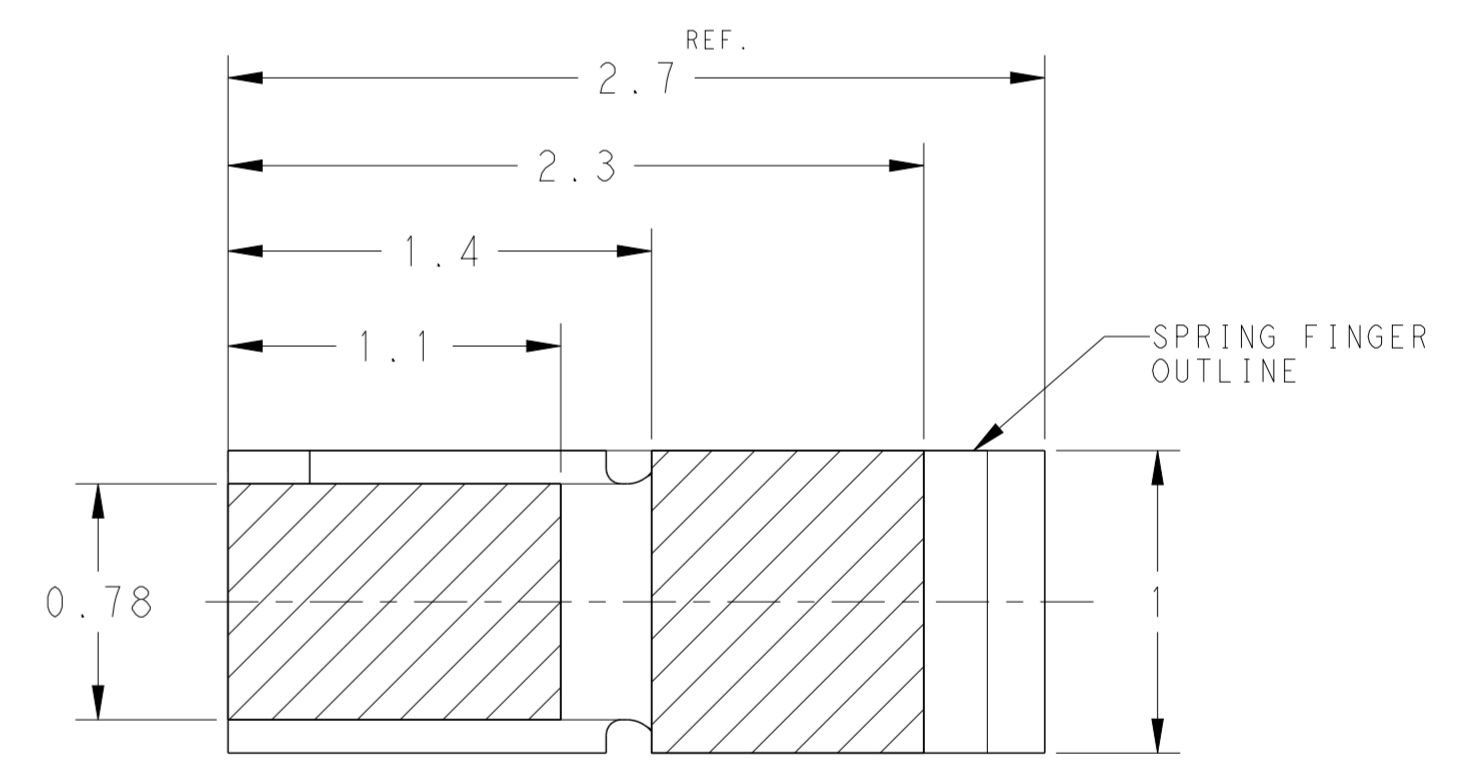
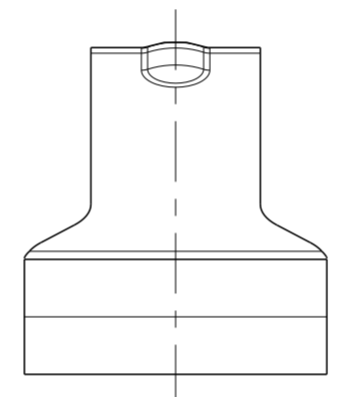
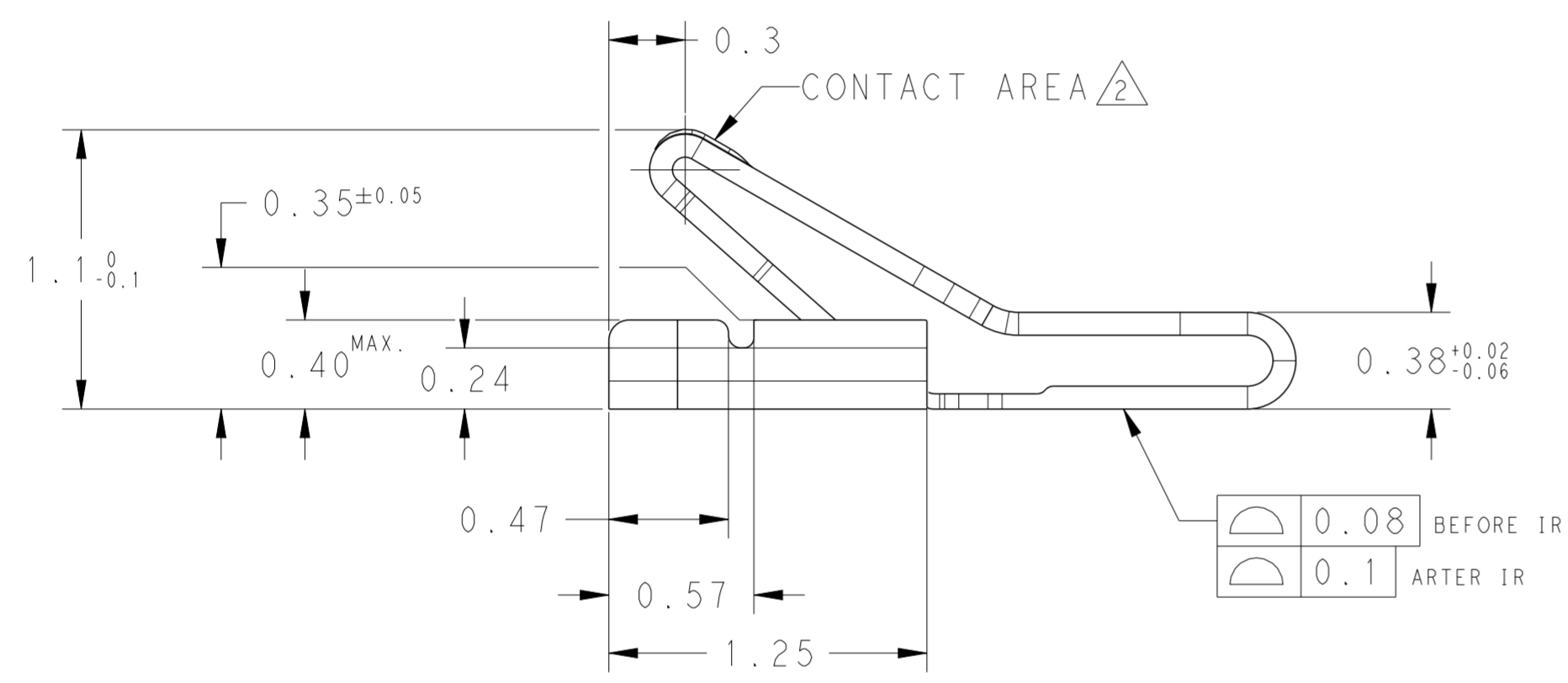


THIS DRAWING IS UNPUBLISHED. RELEASED FOR PUBLICATION  
 © COPYRIGHT copyright dbTe- ALL RIGHTS RESERVED.

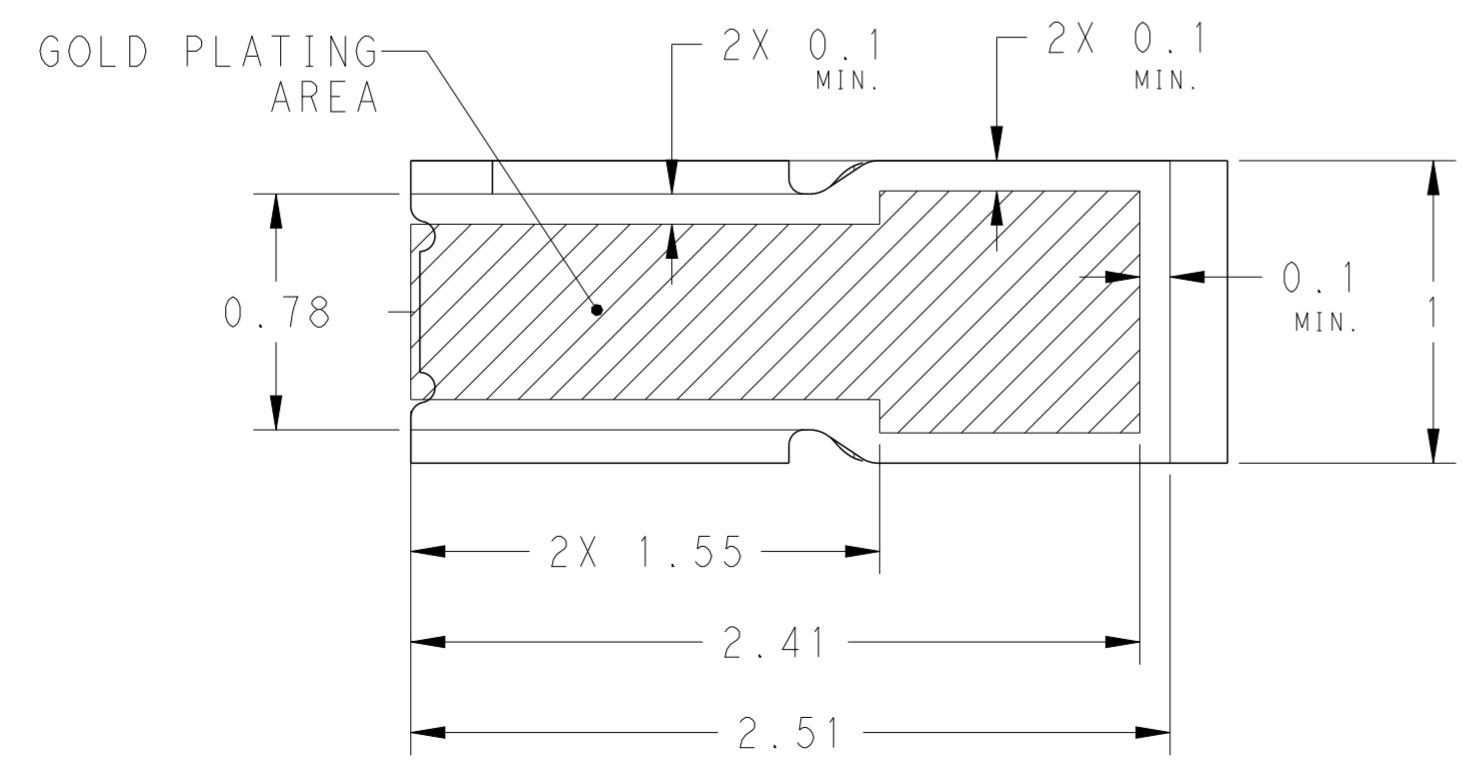
REVISIONS				
P	LTR	DESCRIPTION	DATE	APVD
	A	INITIAL	24JUN2016	S.W W.H



NOTE:  
 1 MATERIAL: STAINLESS STEEL SUS301, THK: 0.09 mm.  
 2 FINISH:  
 NICKEL PLATE ALL OVER 0.002 mm~0.0076 mm THK.  
 GOLD PLATE AREA 0.00025 mm MIN.THK. AT CONTACT AREA;  
 GOLD PLATE AREA 0.000075~0.0002 mm MIN.THK. AT SOLDERING AREA.  
 3 PERMITTED BURR 0.03 mm MAX.  
 4 NORMAL FORCE 0.7N MIN. READ FROM RETURNED CURVE.  
 5 WORKING POSITION: 0.4~0.75 mm.  
 6 LLCR: 50 mΩ MAX. AT INITIAL, AND THE CHANGED LLCR NOT GREATER THAN 10 mΩ AFTER TEST.



SCALE 40:1  
 RECOMMENDED PCB FOOTPRINT AND METAL MASK  
 TOL. ±0.02

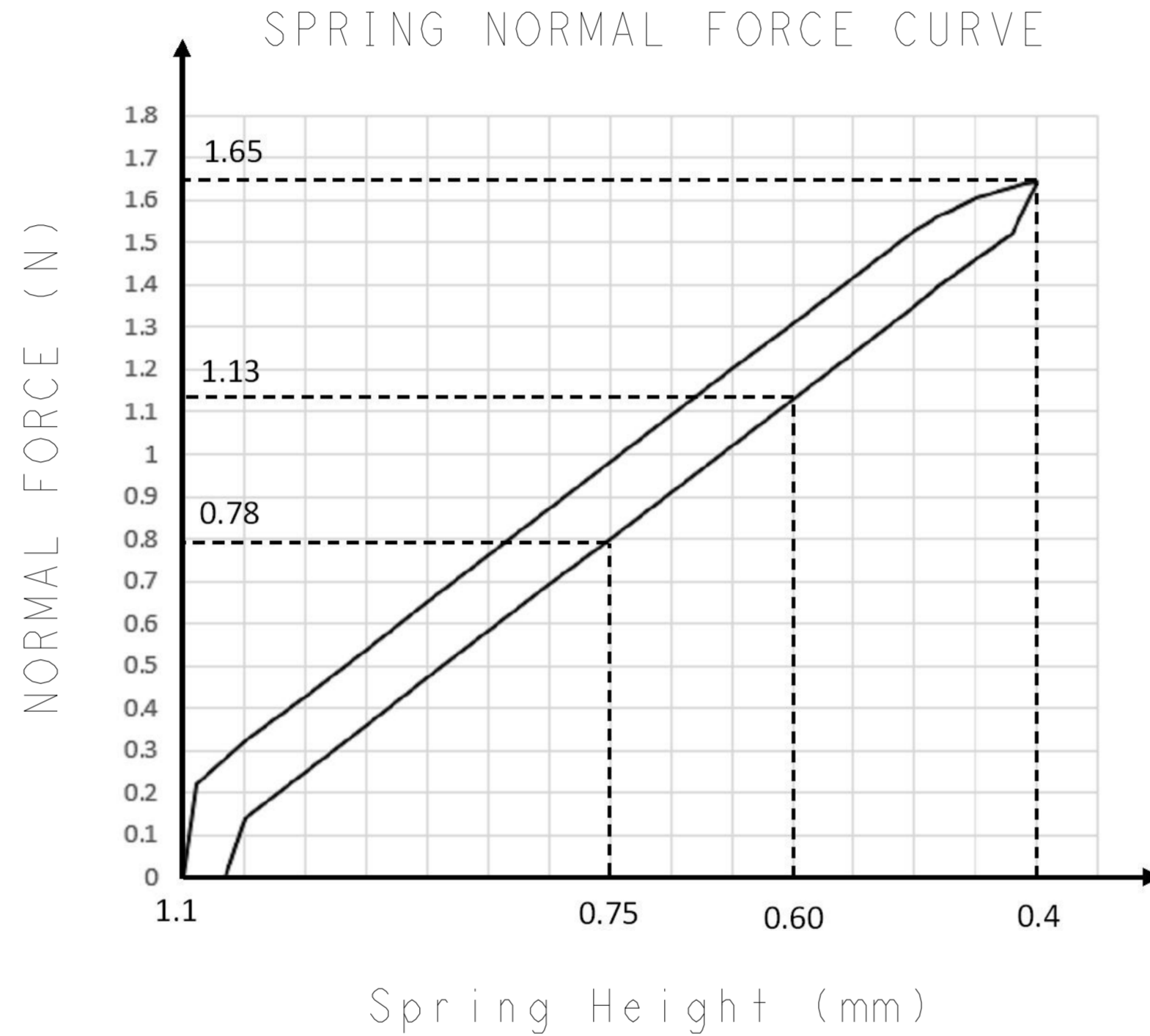


2292838-3  
 PART NO.

THIS DRAWING IS A CONTROLLED DOCUMENT.		DWN SIMON WU 20MAY2015	<b>STE</b> TE Connectivity	
DIMENSIONS: mm		CHK WENKE HE 20MAY2015		
TOLERANCES UNLESS OTHERWISE SPECIFIED: ±0.1		APVD WENKE HE 20MAY2015	NAME	
0-PLC ±		PRODUCT SPEC		
1-PLC ±0.1		108-115104		
2-PLC ±0.01		APPLICATION SPEC		
3-PLC ±0.001		WEIGHT 0.004g		
4-PLC ±0.0001		SIZE A2		
ANGLES ±5°		CAGE CODE -		
FINISH		DRAWING NO. C-2292838		
1		RESTRICTED TO -		
2		SCALE 40:1 SHEET 1 OF 3 REV A		
MATERIAL		CUSTOMER DRAWING		

THIS DRAWING IS UNPUBLISHED. RELEASED FOR PUBLICATION  
 © COPYRIGHT copyright.d8te- ALL RIGHTS RESERVED.

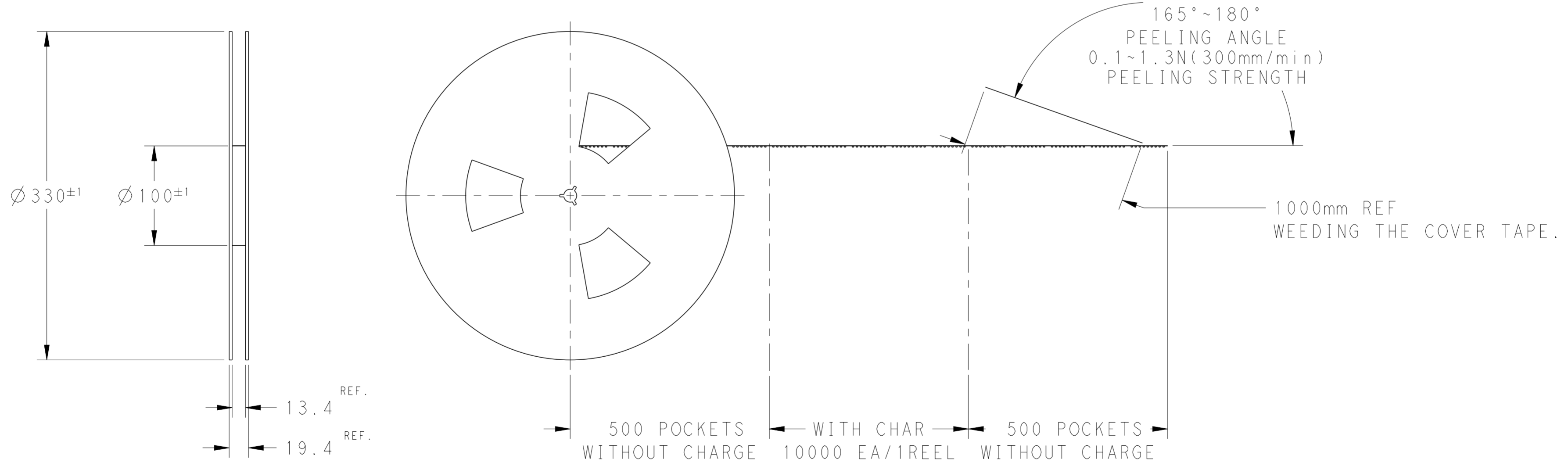
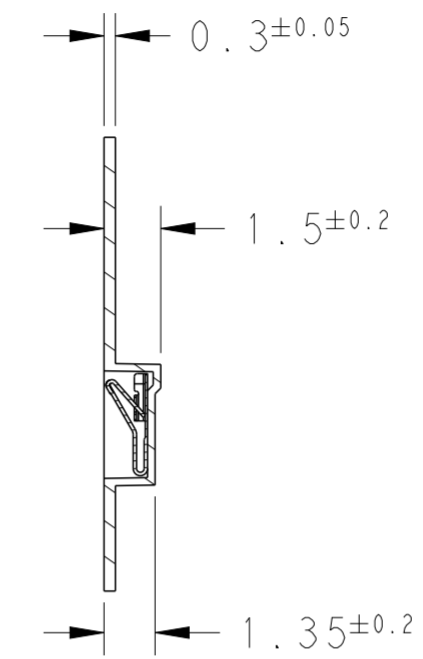
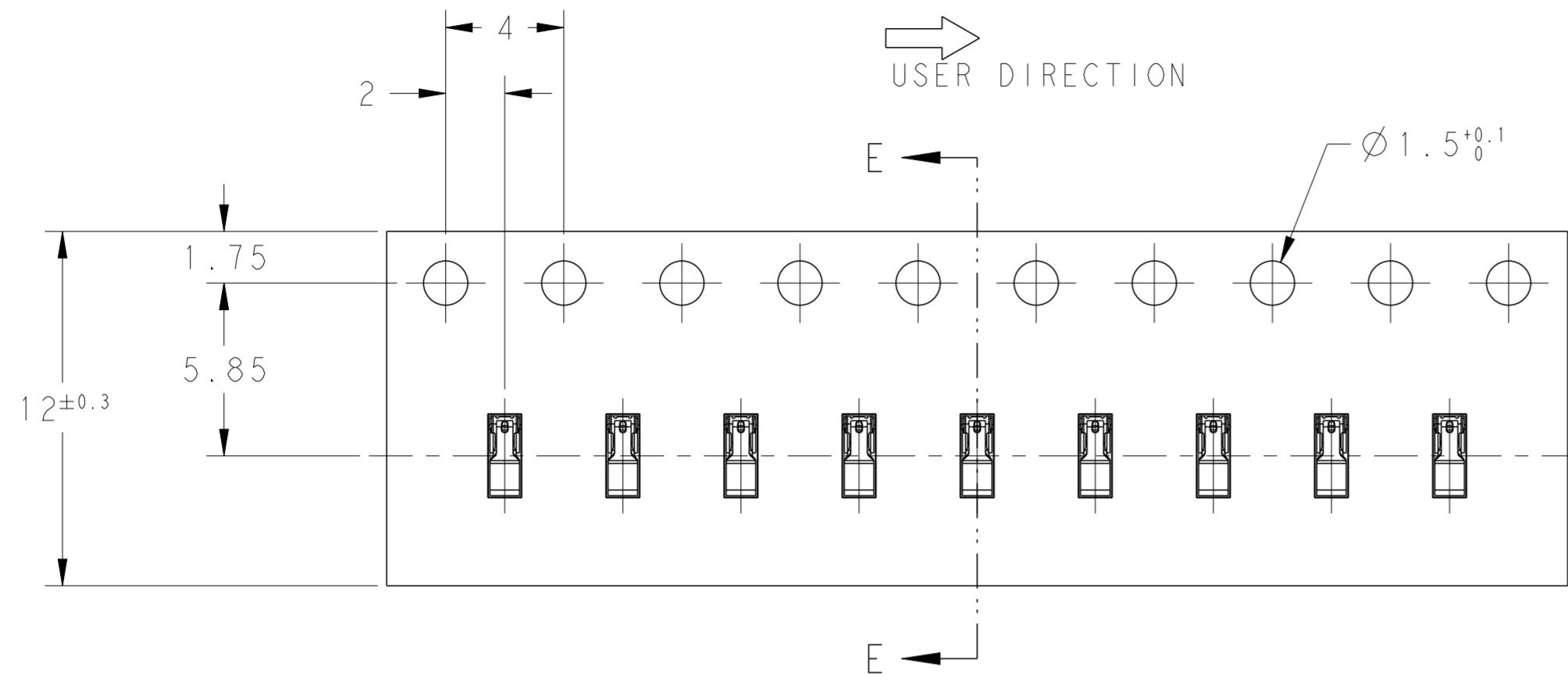
REVISIONS				
P	LTR	DESCRIPTION	DATE	APVD
-	-	SEE SHEET 1	-	-



THIS DRAWING IS A CONTROLLED DOCUMENT.		DWN	<b>STE</b> TE Connectivity		
		CHK	NAME		
DIMENSIONS: mm		APVD	1.1H LOWER PROFILE SPRING FINGER		
TOLERANCES UNLESS OTHERWISE SPECIFIED: 0-PLC ± 1-PLC ±0.1 2-PLC ±0.01 3-PLC ±0.001 4-PLC ±0.0001 ANGLES ±0°		PRODUCT SPEC	SIZE	CAGE CODE	DRAWING NO
MATERIAL		APPLICATION SPEC	A2	-	C-2292838
		WEIGHT	RESTRICTED TO		
		CUSTOMER DRAWING	SCALE	SHEET	REV
			N/A	2 OF 3	A

THIS DRAWING IS UNPUBLISHED. RELEASED FOR PUBLICATION  
 © COPYRIGHT copyright.d8te- ALL RIGHTS RESERVED.

REVISIONS				
P	LTR	DESCRIPTION	DATE	APVD
-	-	SEE SHEET 1	-	-



NOTE:  
 PACKAGE QUANTITY: 10,000 PCS PER REEL.

THIS DRAWING IS A CONTROLLED DOCUMENT.		DWN	<b>STE</b> TE Connectivity	
DIMENSIONS: mm		CHK		
TOLERANCES UNLESS OTHERWISE SPECIFIED: $\pm 0.1$ 0-PLC $\pm$ 1-PLC $\pm 0.1$ 2-PLC $\pm 0.01$ 3-PLC $\pm 0.001$ 4-PLC $\pm 0.0001$ ANGLES $\pm 0.0001$ FINISH $\pm 5^\circ$		APVD	NAME	
MATERIAL		PRODUCT SPEC	1.1H LOWER PROFILE SPRING FINGER	
		APPLICATION SPEC	SIZE	CAGE CODE
		WEIGHT	A2	-
		CUSTOMER DRAWING	DRAWING NO	RESTRICTED TO
		SCALE	G-2292838	-
		SHEET	5:1	3 OF 3
		REV	A	

单击下面可查看定价，库存，交付和生命周期等信息

[>>TE Connectivity\(泰科\)](#)