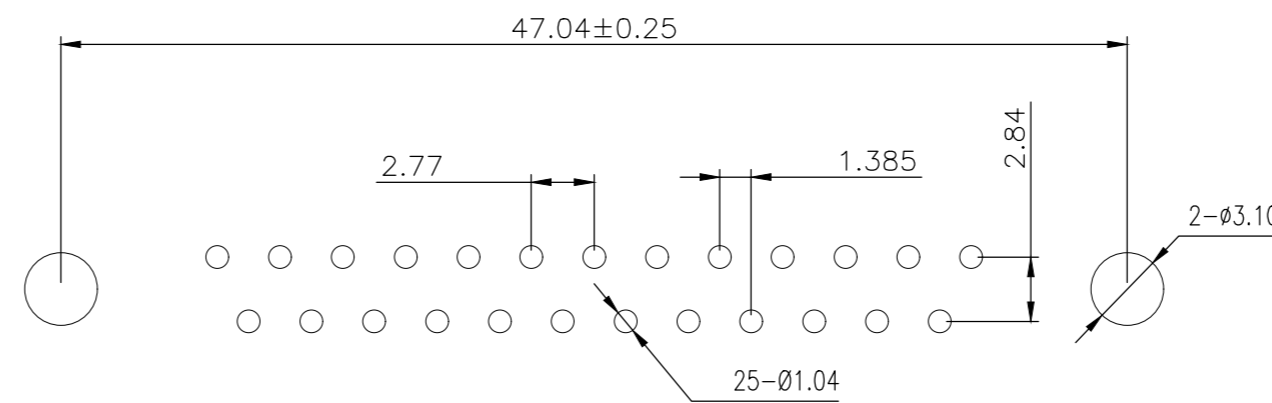
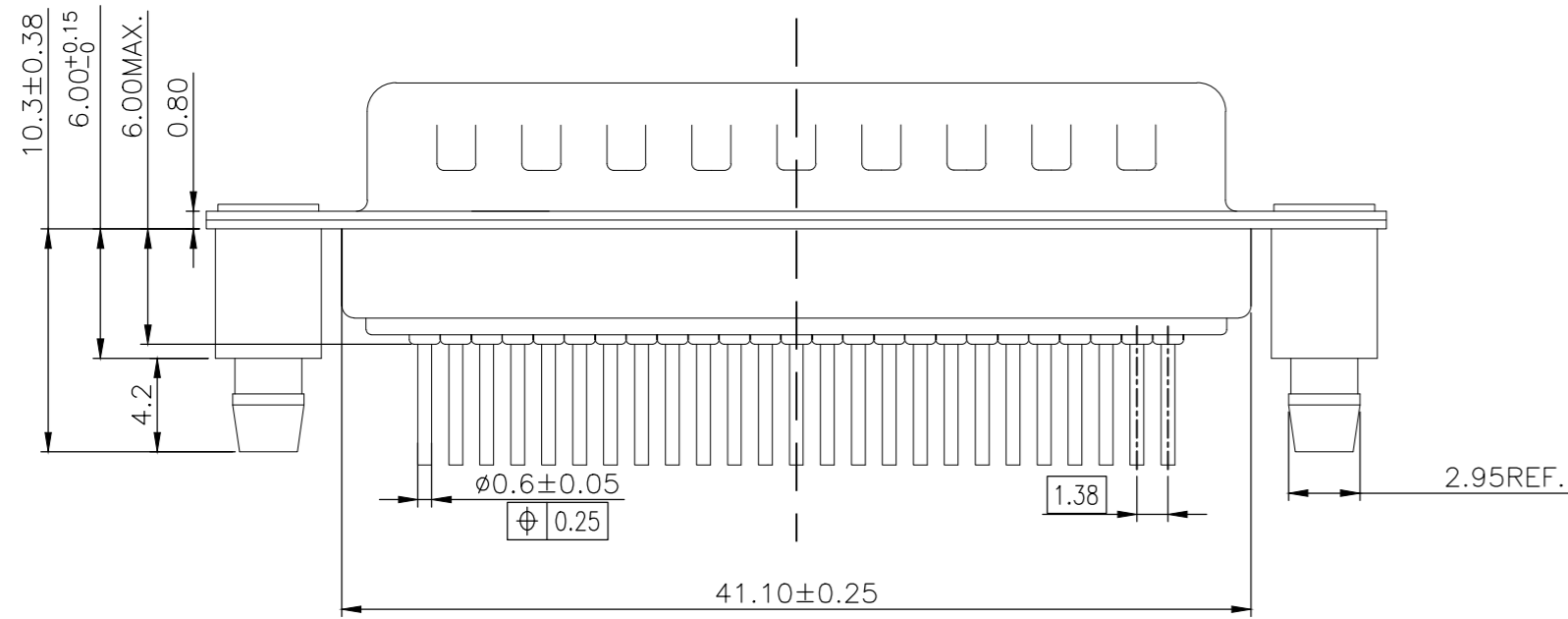
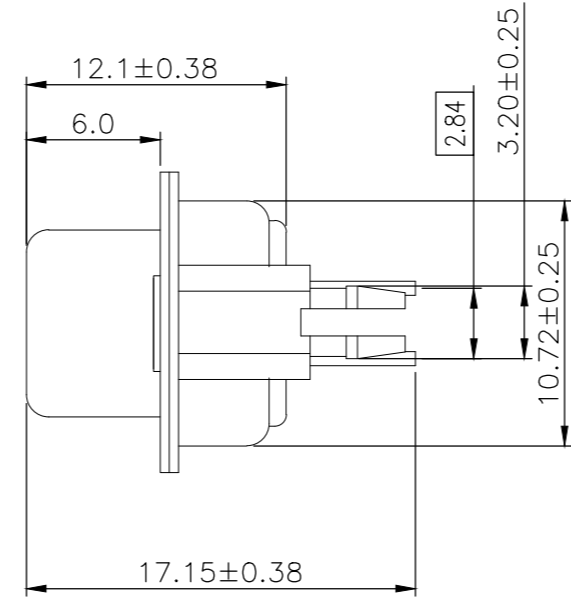
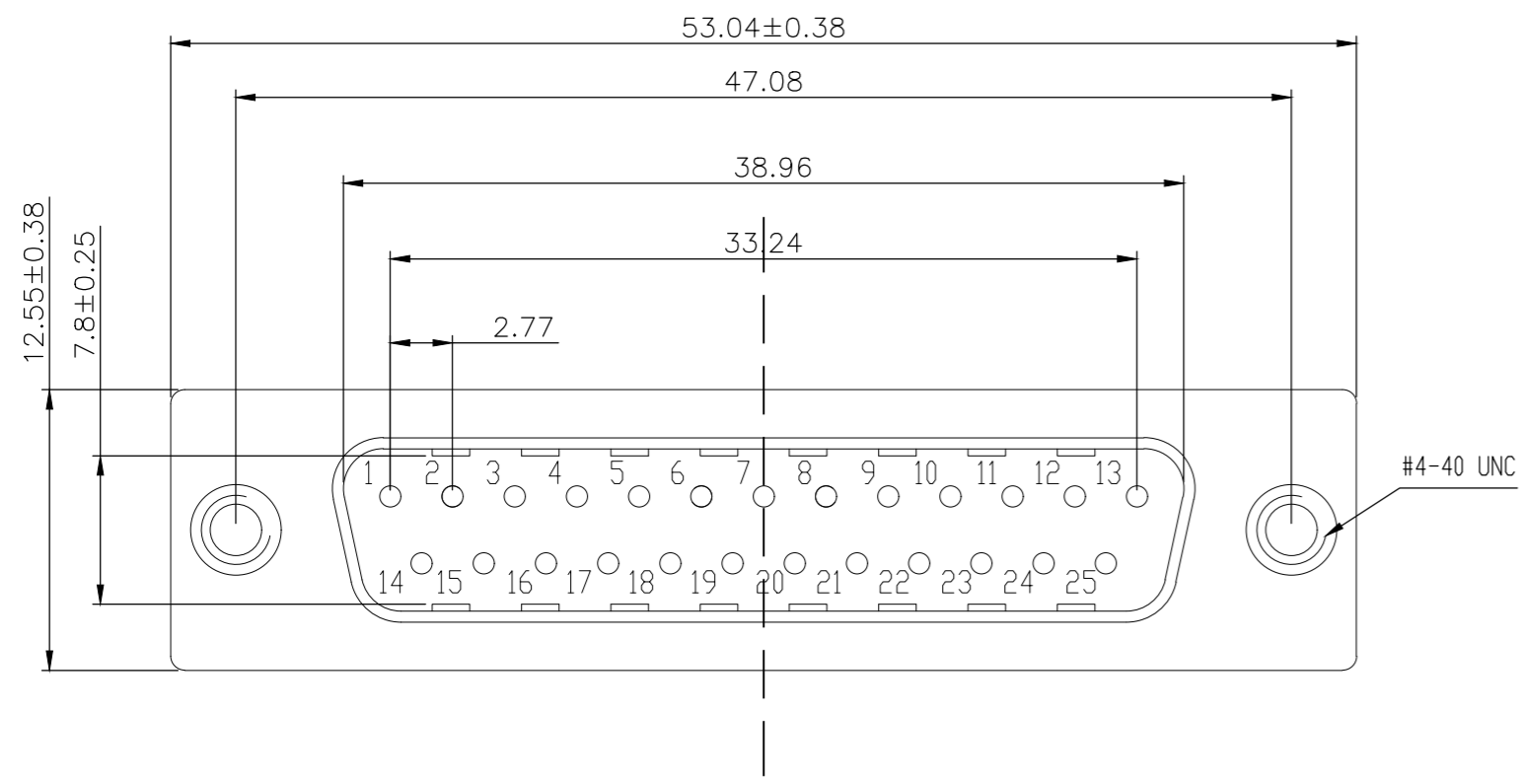


THIS DRAWING IS UNPUBLISHED. RELEASED FOR PUBLICATION  
 © COPYRIGHT - By - ALL RIGHTS RESERVED.

REVISIONS				
P	LTR	DESCRIPTION	DATE	APVD
D		REVISED PER ECO-18-001882	12FEB2018	AP DG

NOTE:

- MATERIAL:**  
 HOUSING: PBT WITH 20% GF UL 94 V-0, BLACK COLOR  
 CONTACTS: BRASS.  
 SHELL: STEEL.  
 SCREW: BRASS.  
 SCREW LOCK: BRASS.  
 SCREW TORQUE: 5kgf-cm MAX.
- FINISH:**  
 CONTACTS: GOLD PLATED ON CONTACT AREA,  
 0.375µm [15µ"] MIN. MATTE TIN ON SOLDER TAIL  
 2.54µm [100µ"], WITH ENTIRE CONTACT  
 UNDERPLATED 1.27µm [50µ"] MIN. NICKEL.  
 FRONT SHELL: 2.54µm [100µ"] MIN. NICKEL PLATED.  
 REAR SHELL: 1.27µm [50µ"] MIN NICKEL UNDERPLATE.  
 2.54µm [100µ"] MIN BRIGHT TIN PLATE  
 SCREW LOCK: 1.27µm [50µ"] MIN. NICKEL PLATED.  
 BOARDLOCK: 1.27µm [50µ"] MIN NICKEL UNDERPLATE  
 1.27µm [50µ"] MIN MATTE TIN PLATE
- WAVE SOLDER CAPABLE TO 265°C PER TE TEST SPEC. 109-202, CONDITION B.**

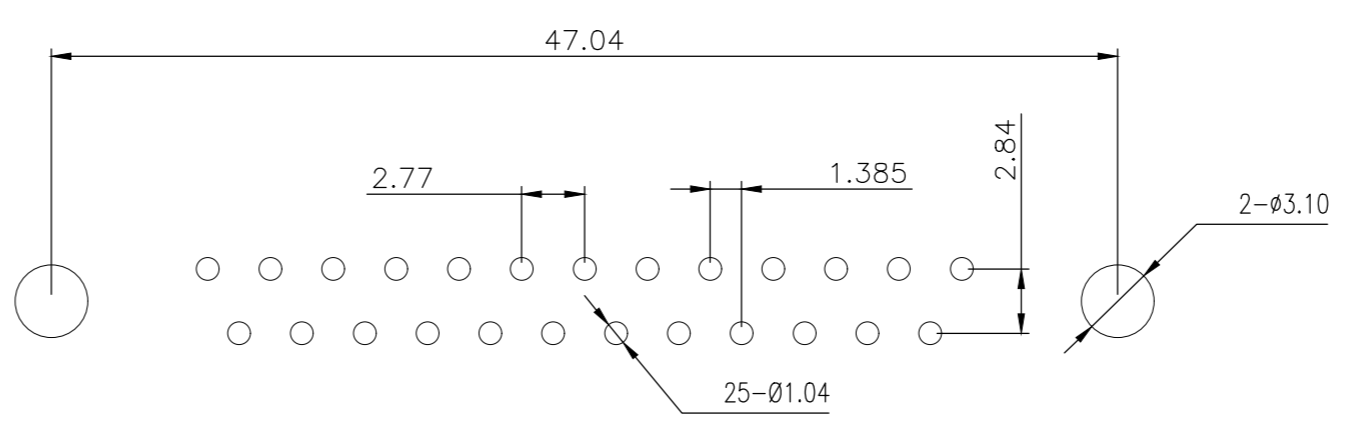
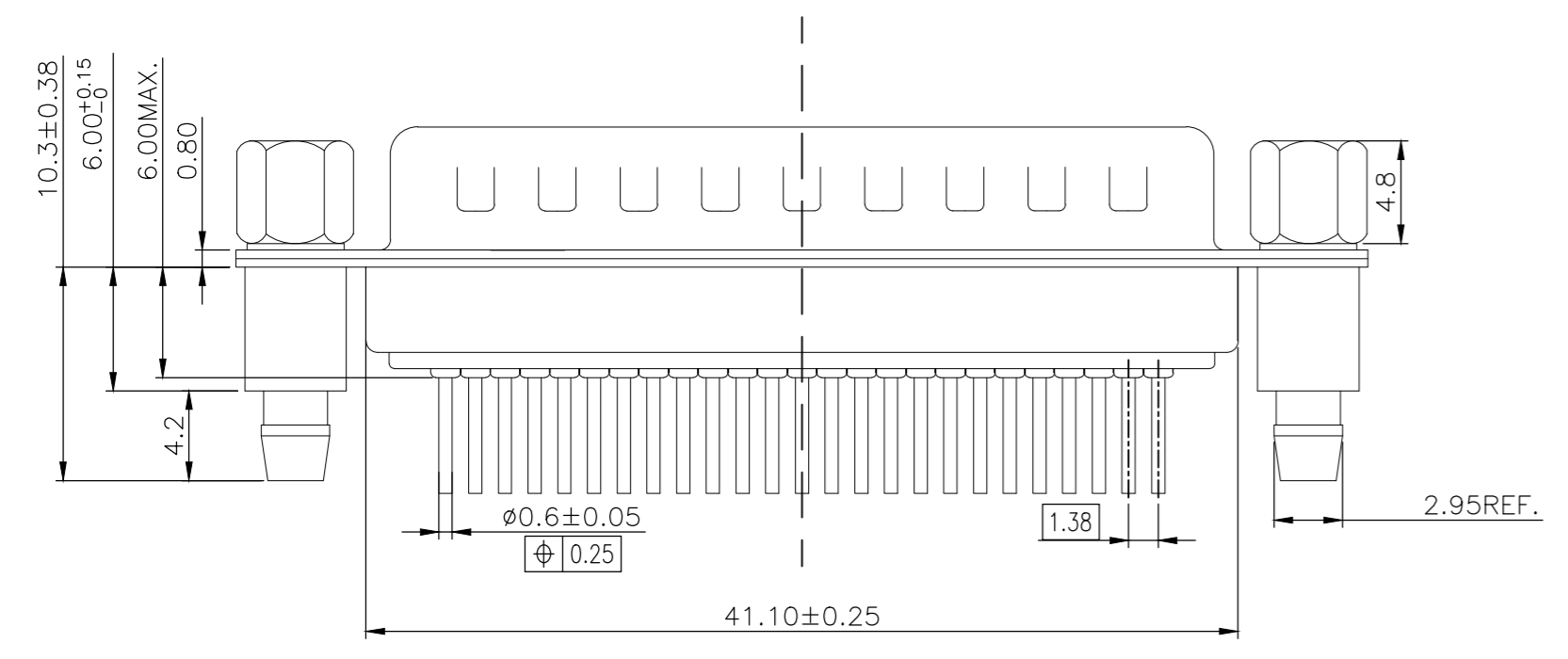
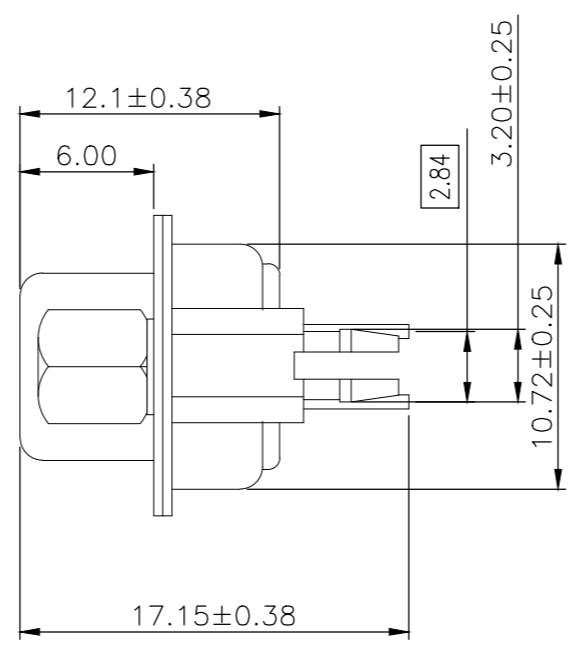
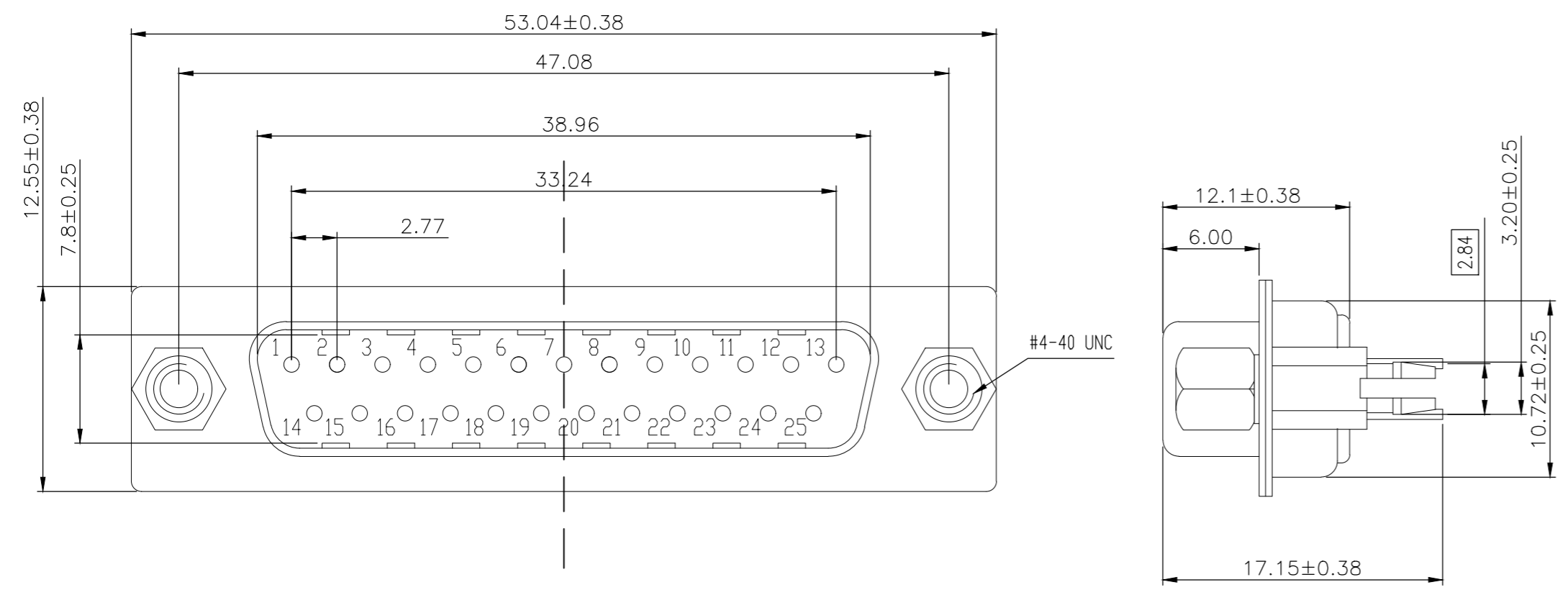


RECOMMENDED PCB LAYOUT

THIS DRAWING IS A CONTROLLED DOCUMENT.		DWN	AJITH PAI	06FEB2017
DIMENSIONS:		CHK	DAN GORENC	06FEB2017
mm	TOLERANCES UNLESS OTHERWISE SPECIFIED:	APVD	-	06FEB2017
	0 PLC	±	-	PRODUCT SPEC
	1 PLC	±	0.25	108-130013
	2 PLC	±	0.15	APPLICATION SPEC
	3 PLC	±	-	-
MATERIAL	FINISH	WEIGHT	0	CUSTOMER DRAWING
-	-	SCALE	3:1	SHEET 1 of 4

25w D plg W B/L & 4-40 inserts 15u" gold		2301835-1	
DESCRIPTION		TE PART NO	
<b>TE</b> TE Connectivity			
D-SUB VERTICAL 25P PLUG CONNECTOR			
SIZE	CAGE CODE	DRAWING NO	RESTRICTED TO
A2	00779	C=2301835	-
SCALE		SHEET	REV
3:1		1 of 4	D

REVISIONS				
P	LTR	DESCRIPTION	DATE	APVD
-	-	SEE SHEET 1	-	-



RECOMMENDED PCB LAYOUT

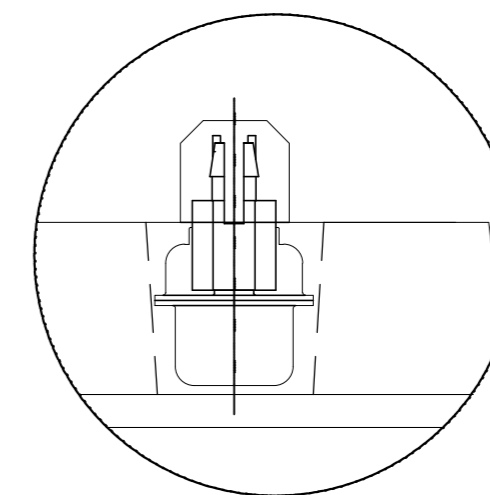
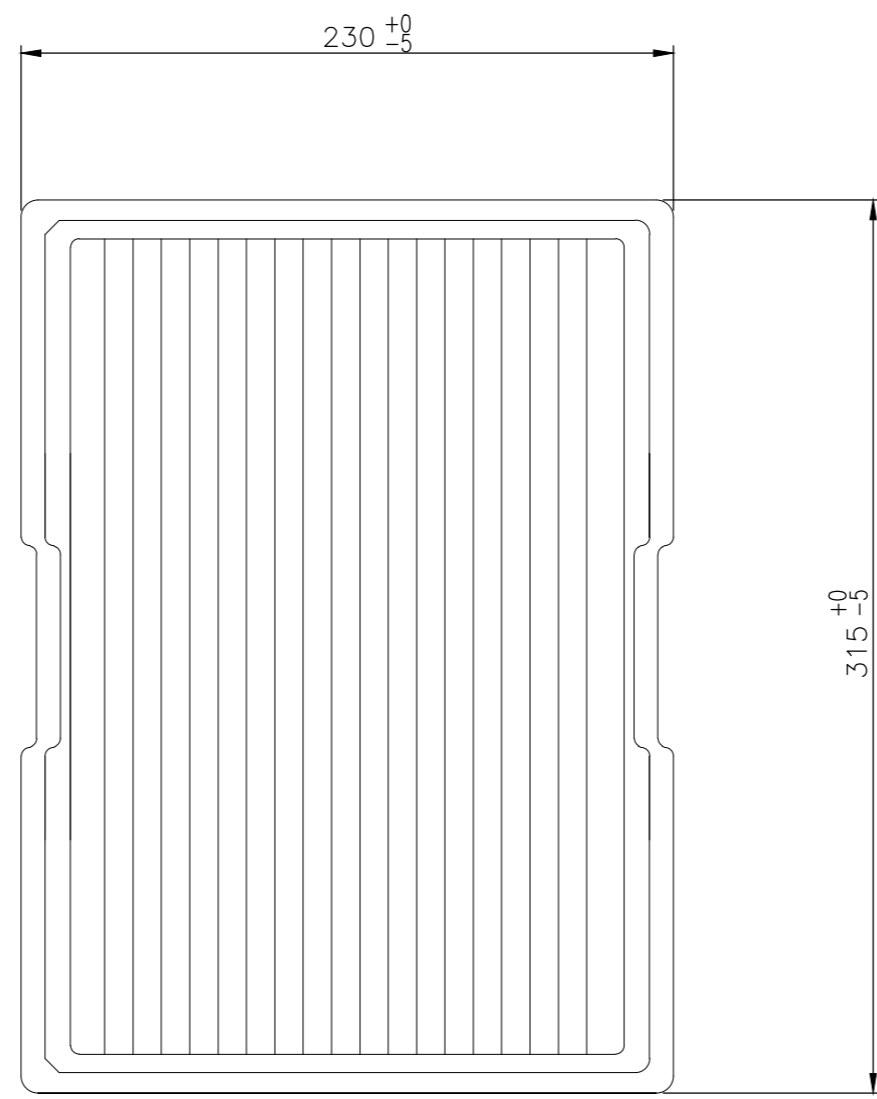
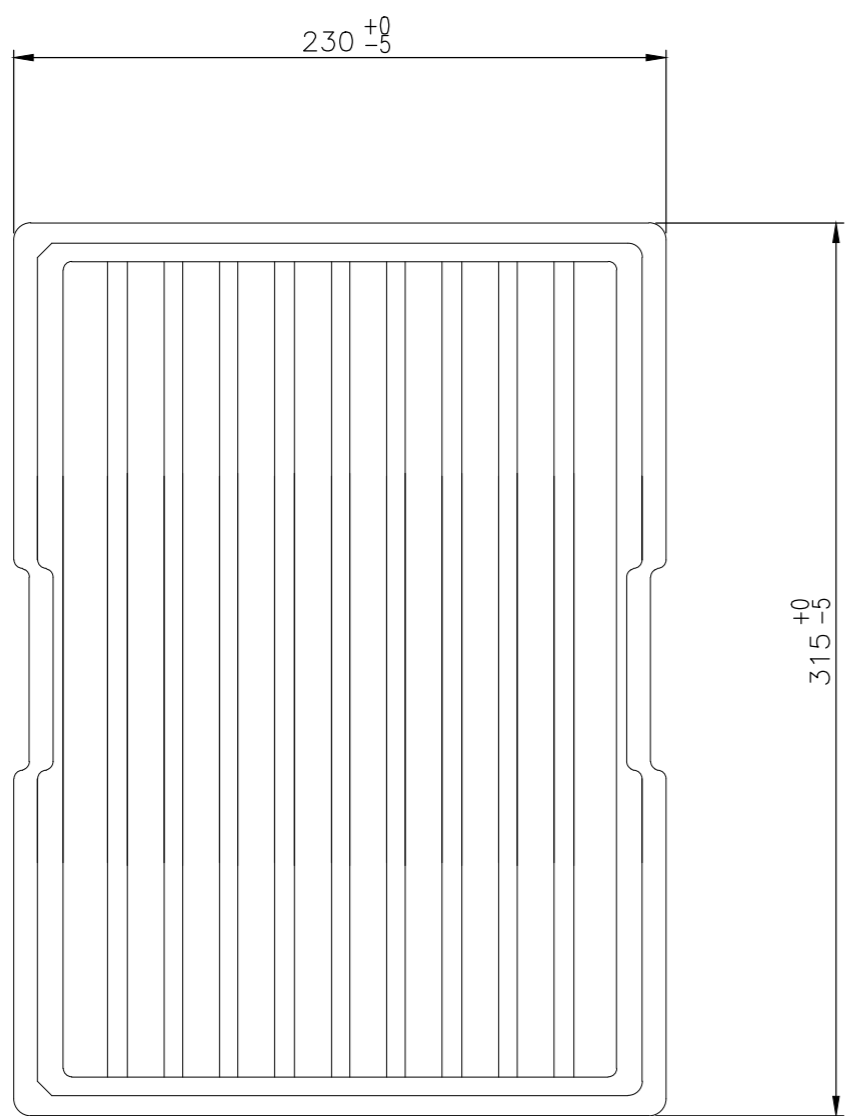
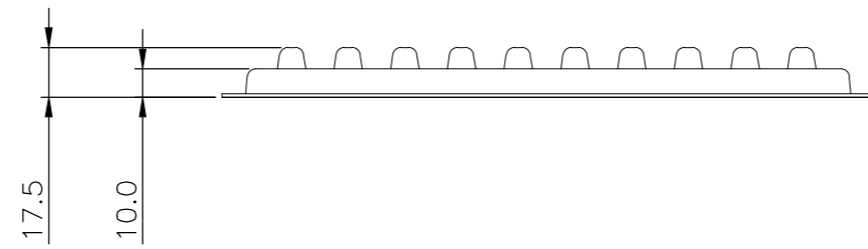
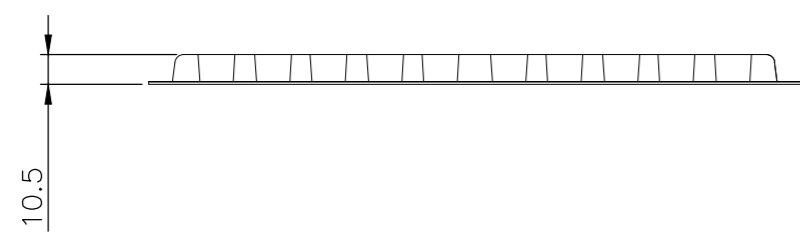
THIS DRAWING IS A CONTROLLED DOCUMENT.		DWN	AJITH PAI	06FEB2017
DIMENSIONS:		CHK	-	06FEB2017
mm	TOLERANCES UNLESS OTHERWISE SPECIFIED:	APVD	-	06FEB2017
	0 PLC	±	-	PRODUCT SPEC
	1 PLC	±	0.25	108-130013
	2 PLC	±	0.15	APPLICATION SPEC
	3 PLC	±	-	-
MATERIAL	FINISH	WEIGHT	0	CUSTOMER DRAWING
-	-	SCALE	3:1	SHEET 2 of 4

25w D plg W B/L & 4-40 s/lock 15u" gold		2301835-2	
DESCRIPTION		TE PART NO	
<b>TE</b> TE Connectivity			
D-SUB VERTICAL 25P PLUG CONNECTOR			
SIZE	CAGE CODE	DRAWING NO	RESTRICTED TO
A2	00779	C=2301835	-
SCALE		SHEET	REV
3:1		2 of 4	D

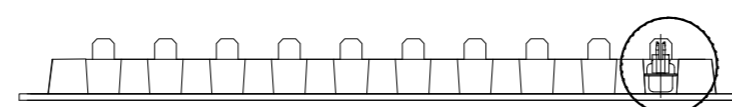
2301835

THIS DRAWING IS UNPUBLISHED. RELEASED FOR PUBLICATION  
 © COPYRIGHT - By - ALL RIGHTS RESERVED.

REVISIONS				
P	LTR	DESCRIPTION	DATE	APVD
-	-	SEE SHEET 1	-	-



DETAIL A



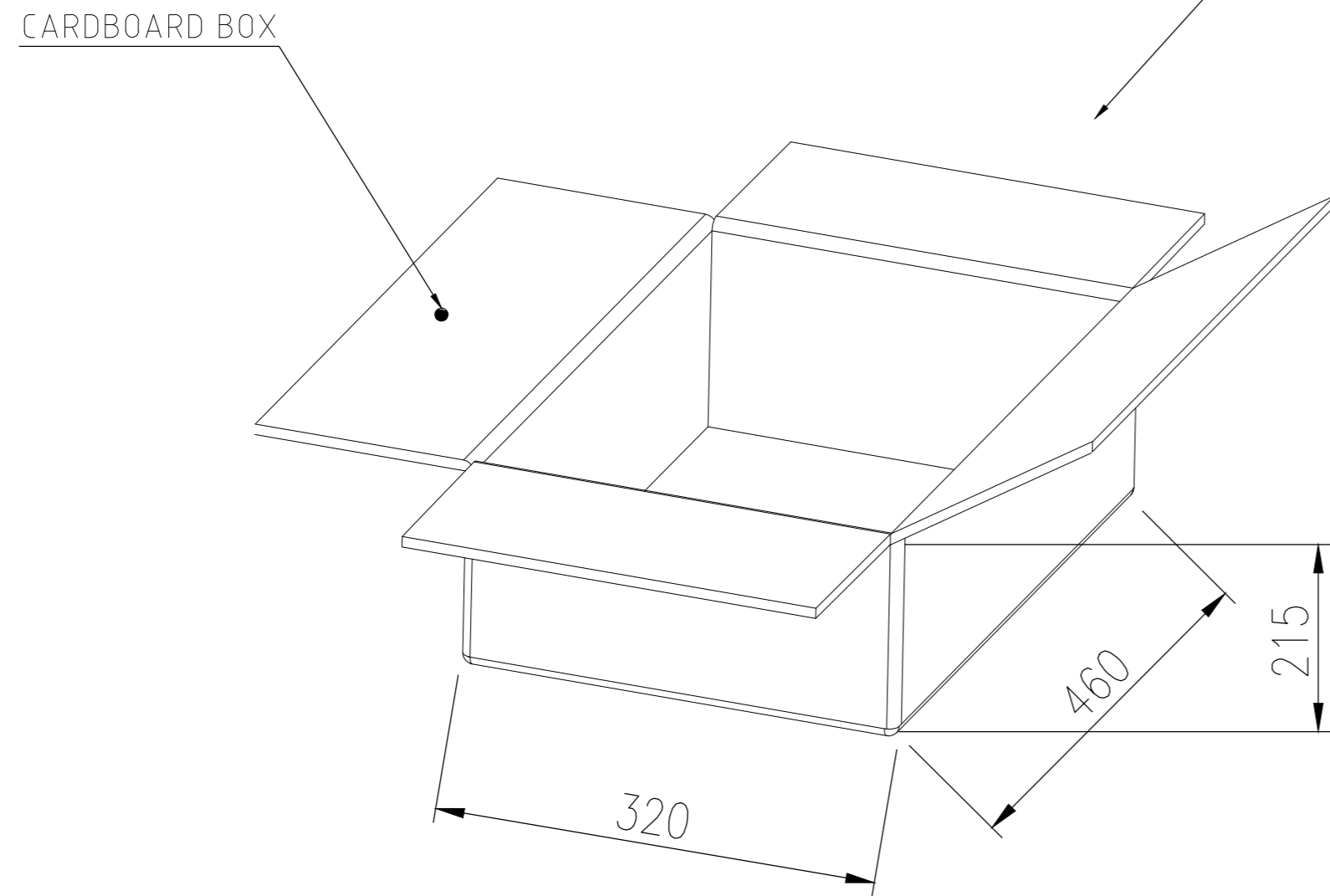
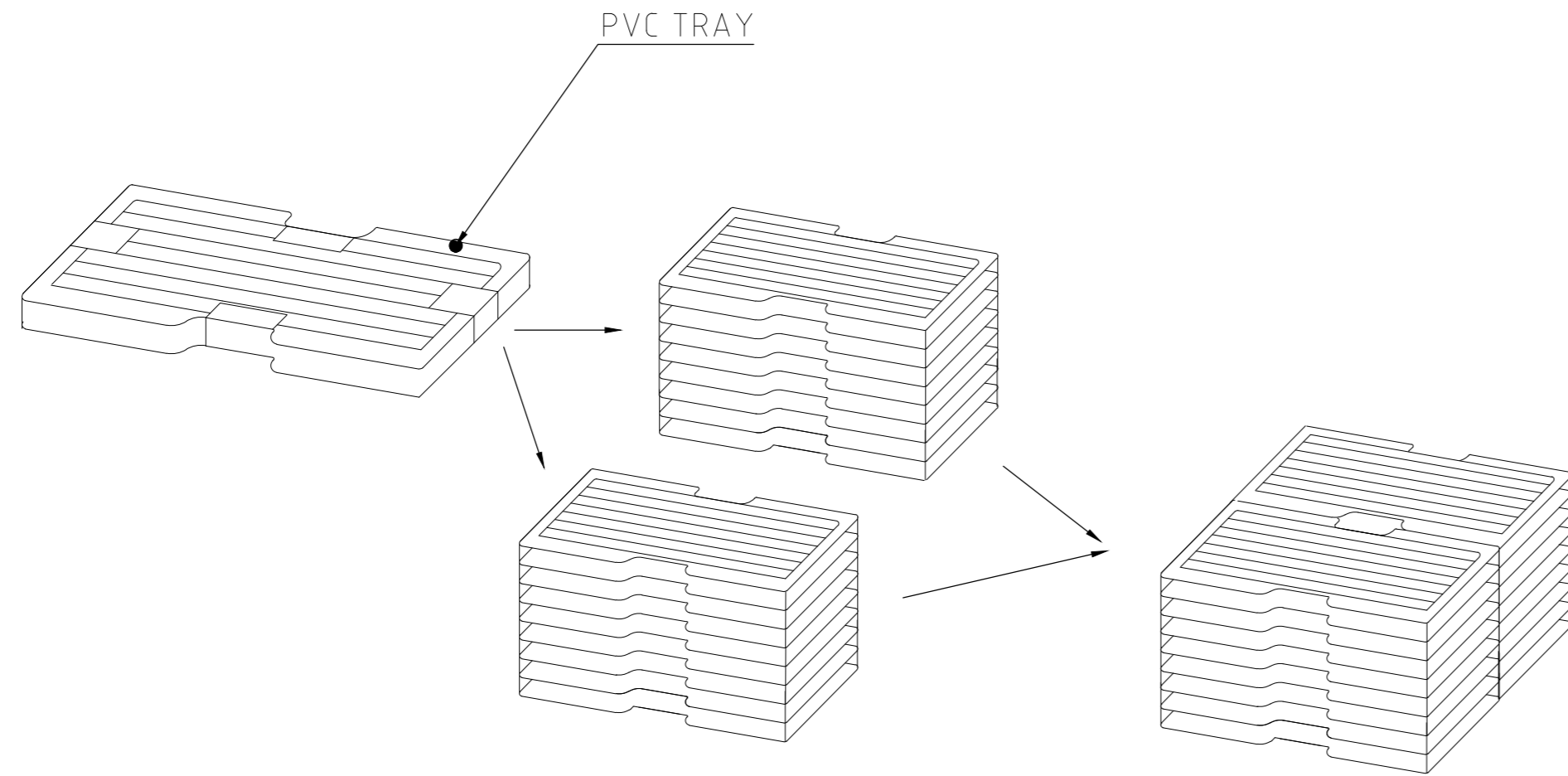
SEE DETAIL A

THIS DRAWING IS A CONTROLLED DOCUMENT.		DWN AJITH PAI 06FEB2017			
		CHK DAN GORENC 06FEB2017			
		APVD - 06FEB2017	NAME		
DIMENSIONS: mm		PRODUCT SPEC 108-130013		D-SUB VERTICAL 25P PLUG CONNECTOR	
TOLERANCES UNLESS OTHERWISE SPECIFIED:		APPLICATION SPEC		RESTRICTED TO	
0 PLC ± - 1 PLC ± 0.25 2 PLC ± 0.15 3 PLC ± - 4 PLC ± - ANGLES ± -		WEIGHT 0		SIZE A2	
MATERIAL		FINISH		CAGE CODE 00779	
		CUSTOMER DRAWING		DRAWING NO C=2301835	
		SCALE 1:1		SHEET 3 of 4	
				REV D	

2301835

THIS DRAWING IS UNPUBLISHED. RELEASED FOR PUBLICATION  
 © COPYRIGHT - By - ALL RIGHTS RESERVED.

REVISIONS					
P	LTR	DESCRIPTION	DATE	DWN	APVD
-	-	SEE SHEET 1	-	-	-



GROSS WEIGHT (Kg)	NET WEIGHT (Kg)	PCS/TRAY	TRAYS /CARTON	QUANTITY Pcs	PART NUMBER
14.279	11.700	50	20	1000	2301835-2
12.779	10.200	50	20	1000	2301835-1

THIS DRAWING IS A CONTROLLED DOCUMENT.		DWN AJITH PAI 06FEB2017			
DIMENSIONS: mm		CHK DAN GORENC 06FEB2017			
TOLERANCES UNLESS OTHERWISE SPECIFIED:		APVD - 06FEB2017	NAME D-SUB VERTICAL 25P PLUG CONNECTOR		
0 PLC ± -		PRODUCT SPEC 108-130013	SIZE A2	CAGE CODE 00779	DRAWING NO C=2301835
1 PLC ± 0.25		APPLICATION SPEC -	RESTRICTED TO -		
2 PLC ± 0.15		WEIGHT 0	SCALE 1:1	SHEET 4 of 4	REV D
3 PLC ± -		MATERIAL -	CUSTOMER DRAWING		
4 PLC ± -		FINISH -			
ANGLES ± -					

2301835

单击下面可查看定价，库存，交付和生命周期等信息

[>>TE Connectivity\(泰科\)](#)