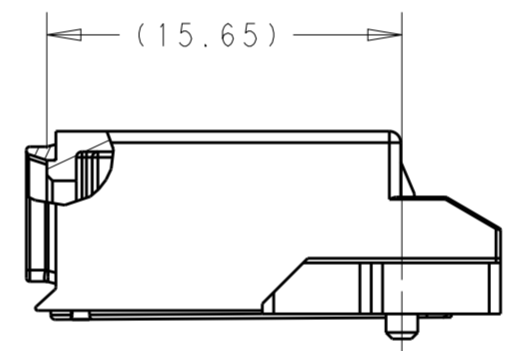
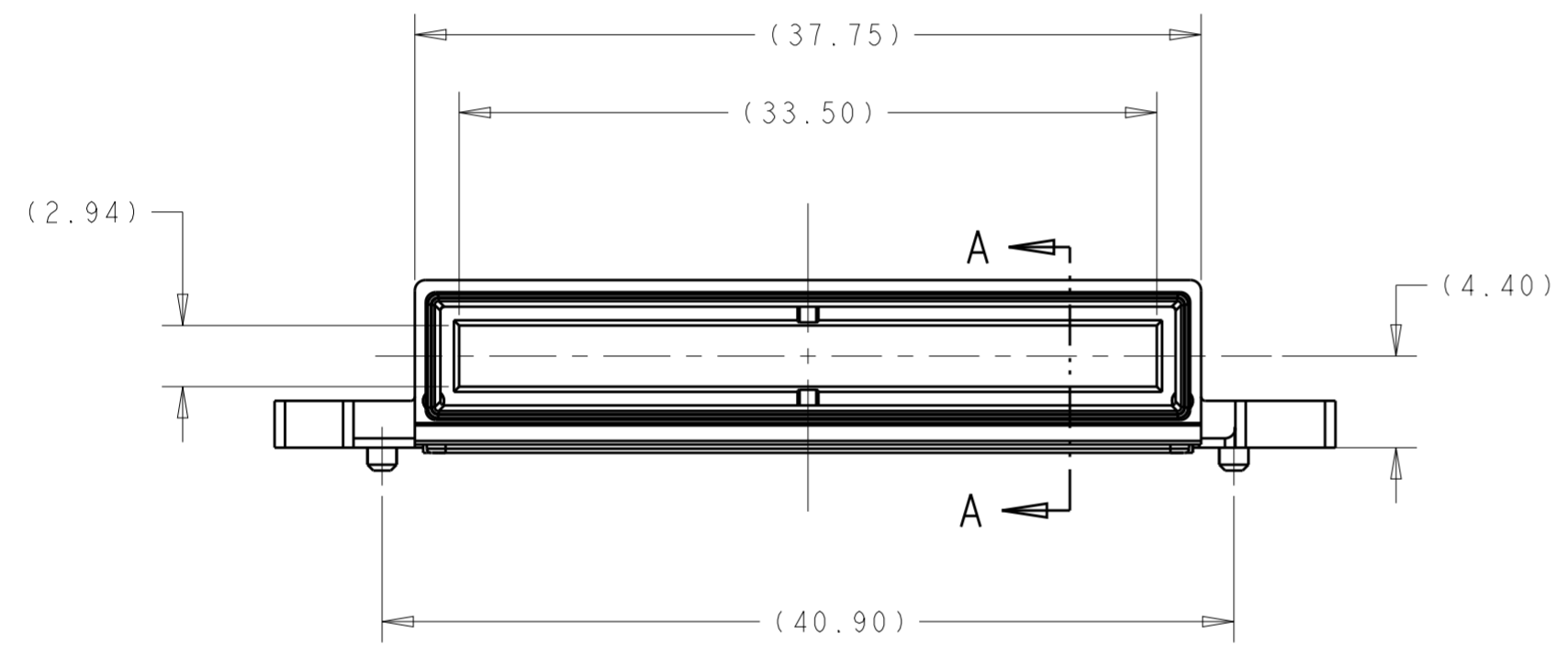
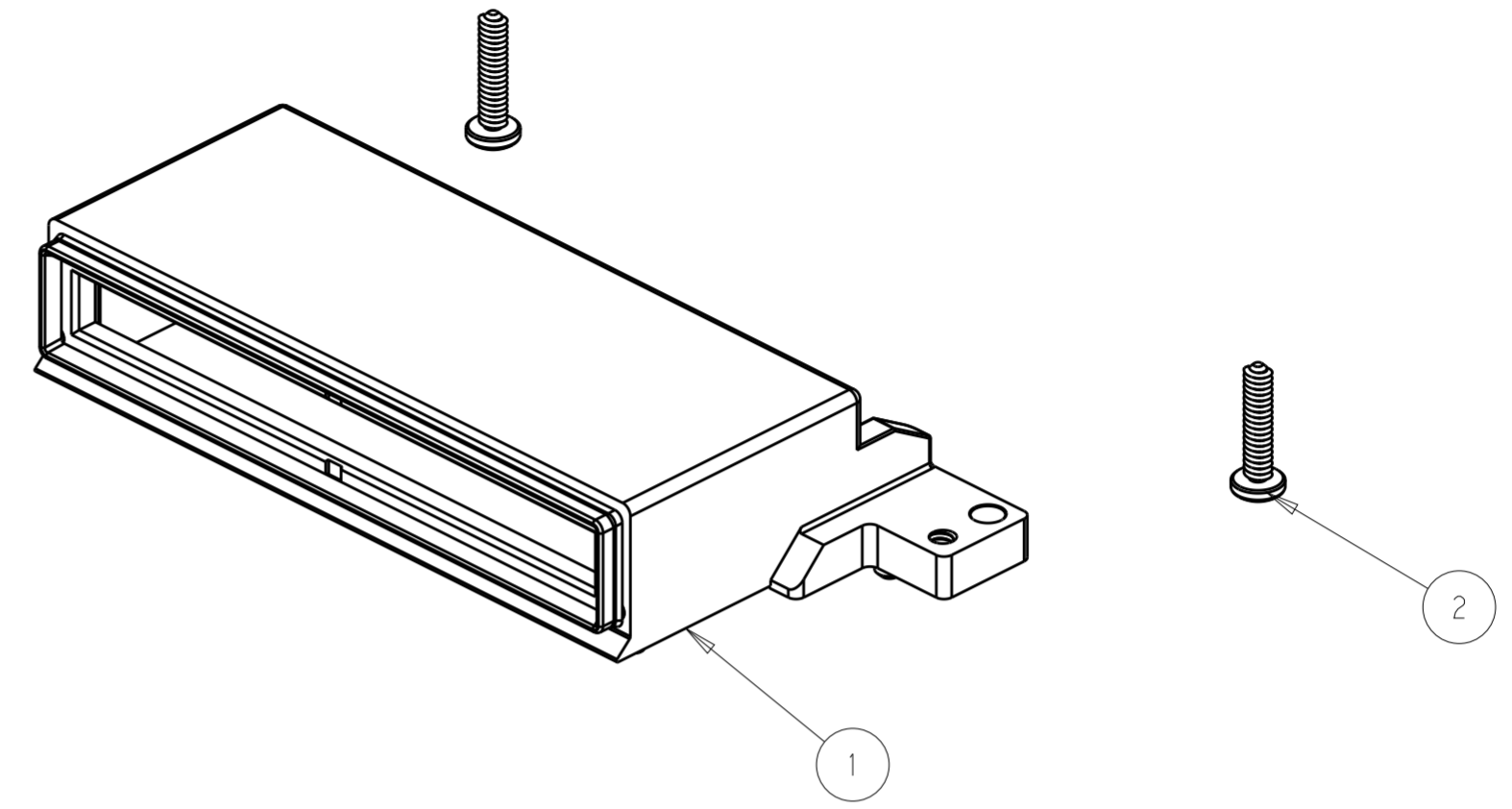
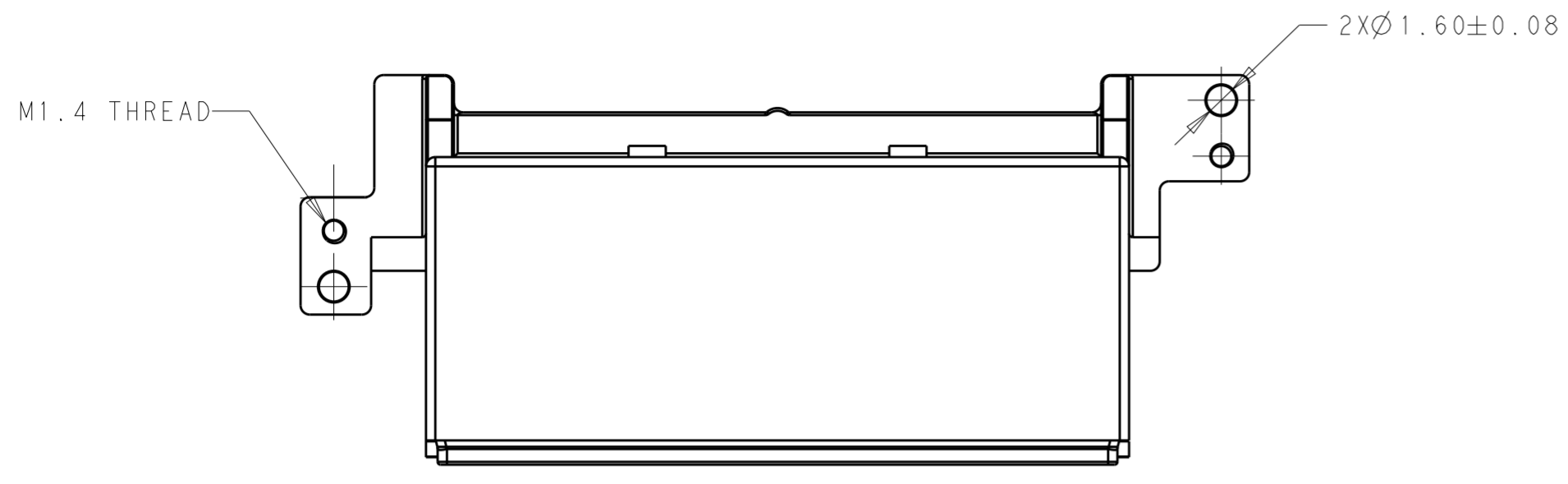


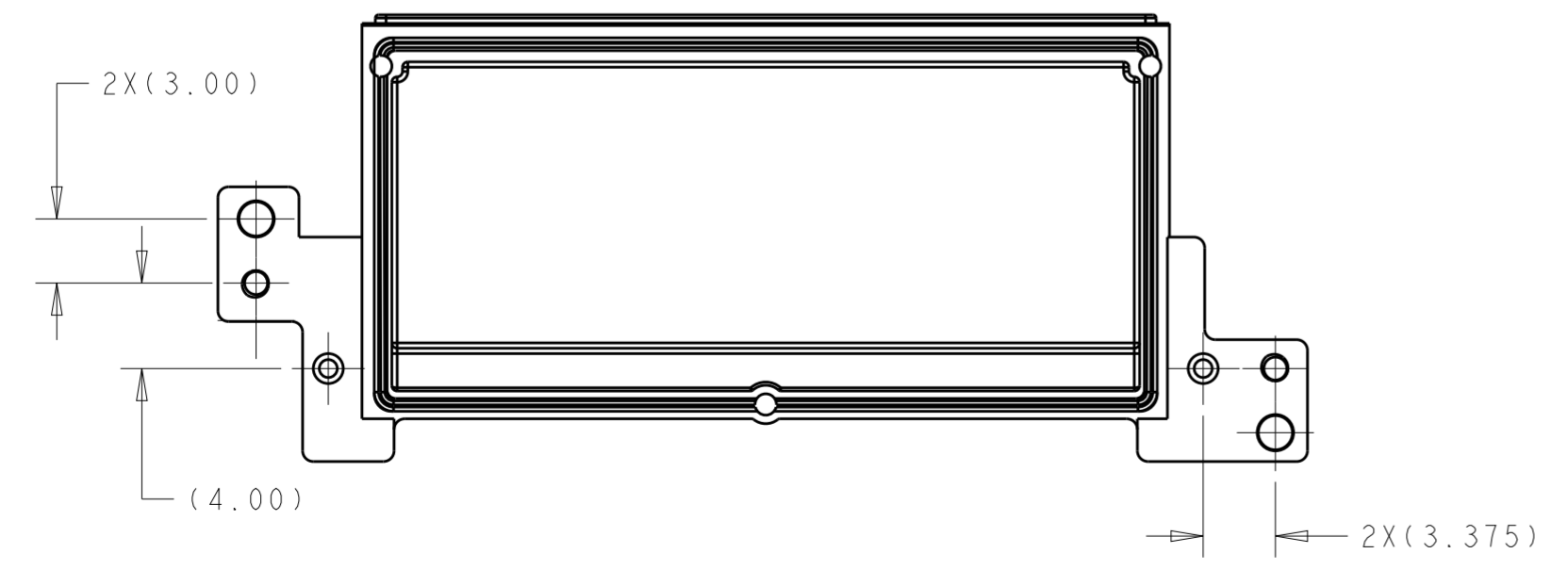
THIS DRAWING IS UNPUBLISHED. RELEASED FOR PUBLICATION 20
 © COPYRIGHT 20 BY - ALL RIGHTS RESERVED.

REVISIONS				
P	LTR	DESCRIPTION	DATE	APVD
	A	INITIAL RELEASE	06JUN2018	AD SH



SECTION A - A

- 1.MATERIAL: RECEPTACLE COVER-ZINC ALLOY
GASKET-SILICON
SCREW-STAINLESS STEEL
- 2.PLATING: RECEPTACLE COVER-1.27um NICKEL OVER COPPER PLATING
- 3.MATE WIHT MSA COMPLIANT TRANSCEIVER
- 4.PACKAGED AS SEPARATED KITS IN ONE BOX



QTY	PART NUMBER	DESCRIPTION	ITEM
2	2292789-1	M1.4X6 SCREW	2
1	2274846-1	COVER WIHT GASKET	1
-1	PART NUMBER	DESCRIPTION	ITEM

THIS DRAWING IS A CONTROLLED DOCUMENT.		DWN ANDY.CIF 30MAY2016	TE Connectivity	
DIMENSIONS: mm		CHK SEAN.HAN 30MAY2016		
TOLERANCES UNLESS OTHERWISE SPECIFIED:		APVD SEAN.HAN 30MAY2016	NAME RECEPTACLE COVER WITH SCREW CFP2 1X1	
0 PLC ±		PRODUCT SPEC	SIZE A2	
1 PLC ±0.25		APPLICATION SPEC	CAGE CODE -	
2 PLC ±0.15		WEIGHT	DRAWING NO G-2304452	
3 PLC ±0.10		CUSTOMER DRAWING	RESTRICTED TO -	
4 PLC ±		SCALE 2:1	SHEET 1 OF 1	
ANGLES ±		REV A		
FINISH				

单击下面可查看定价，库存，交付和生命周期等信息

[>>TE Connectivity\(泰科\)](#)