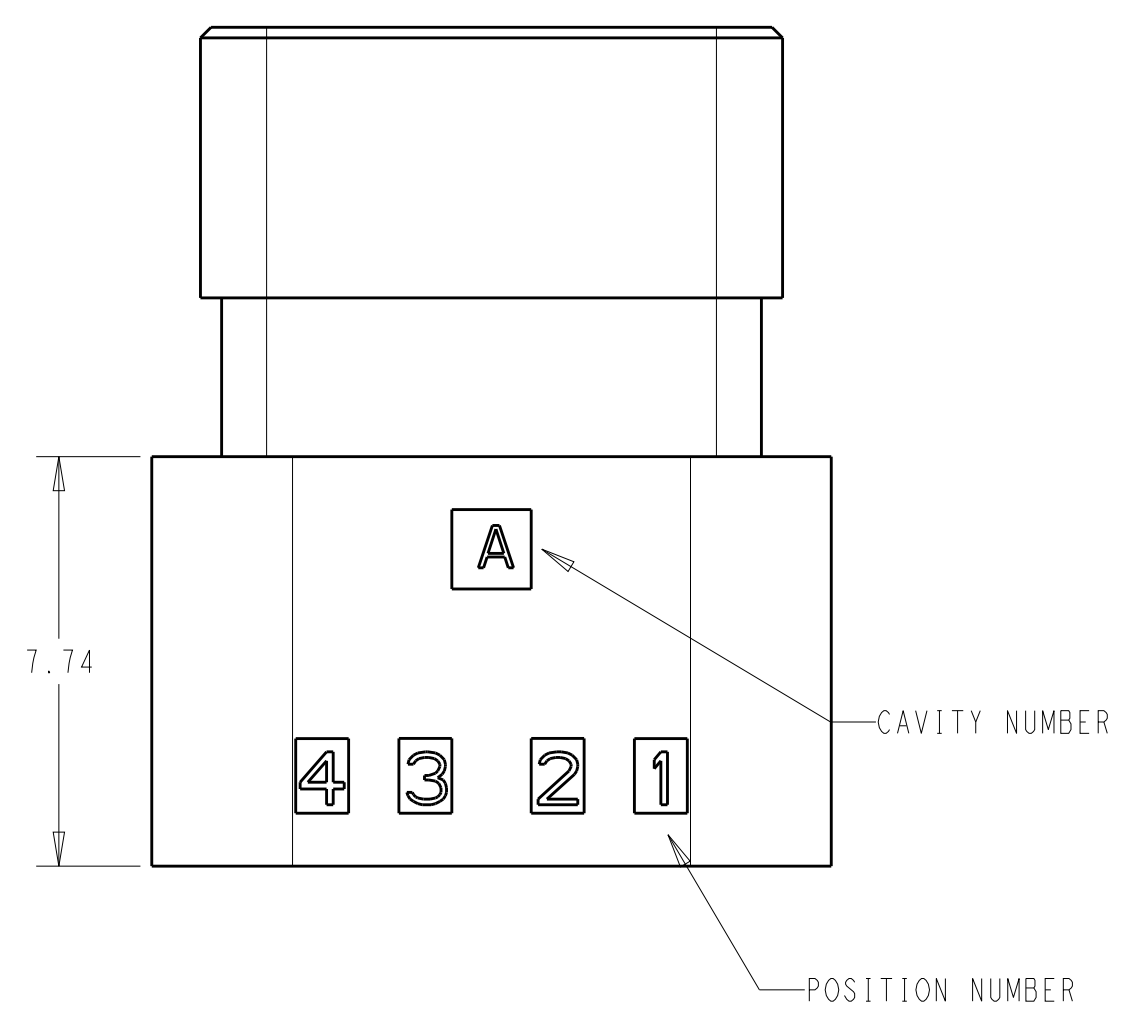
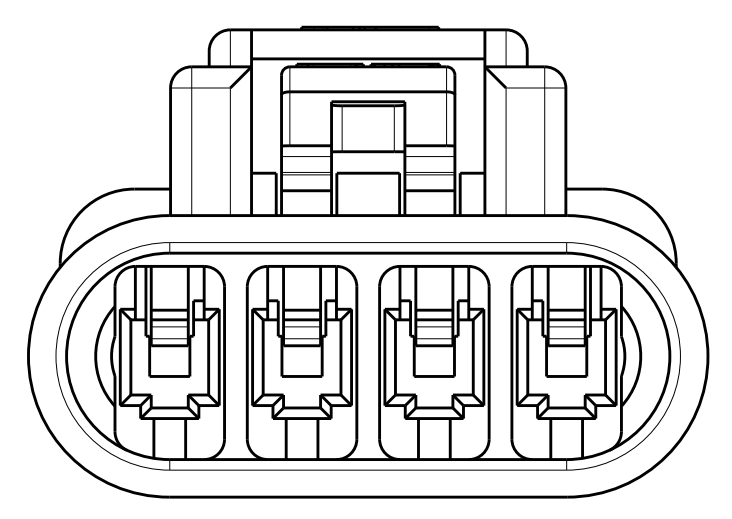
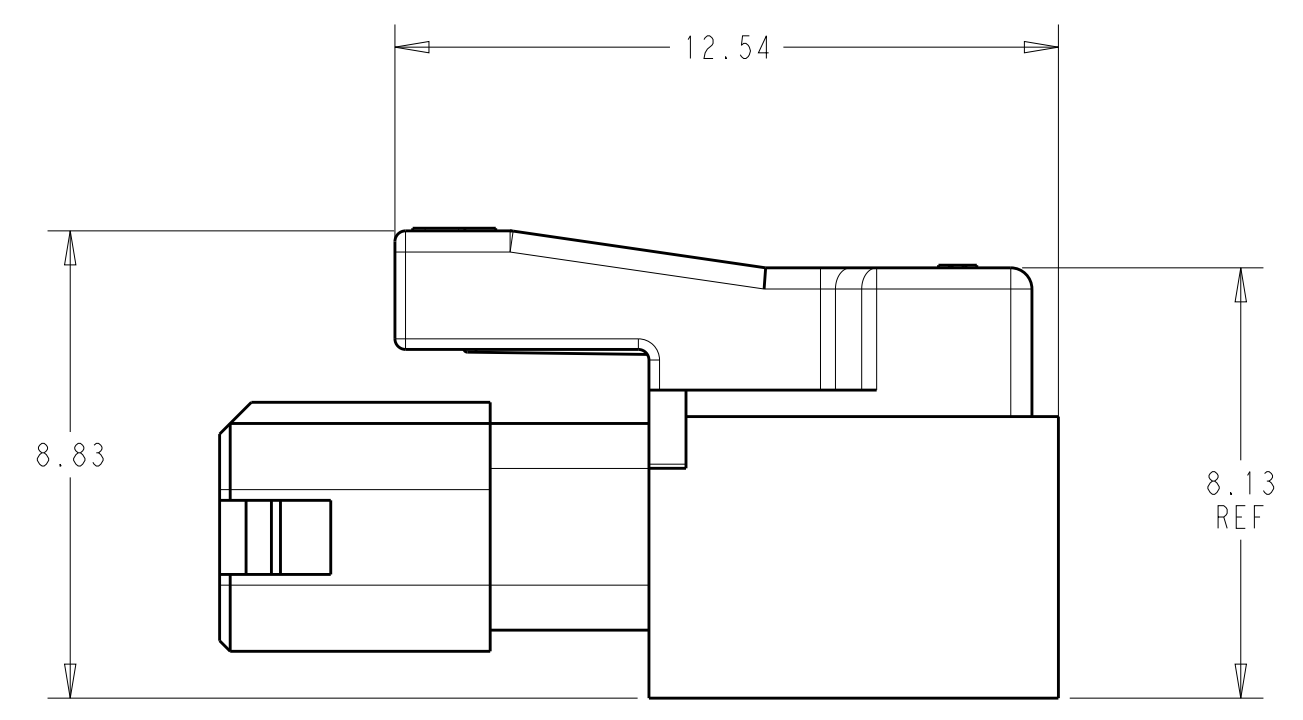
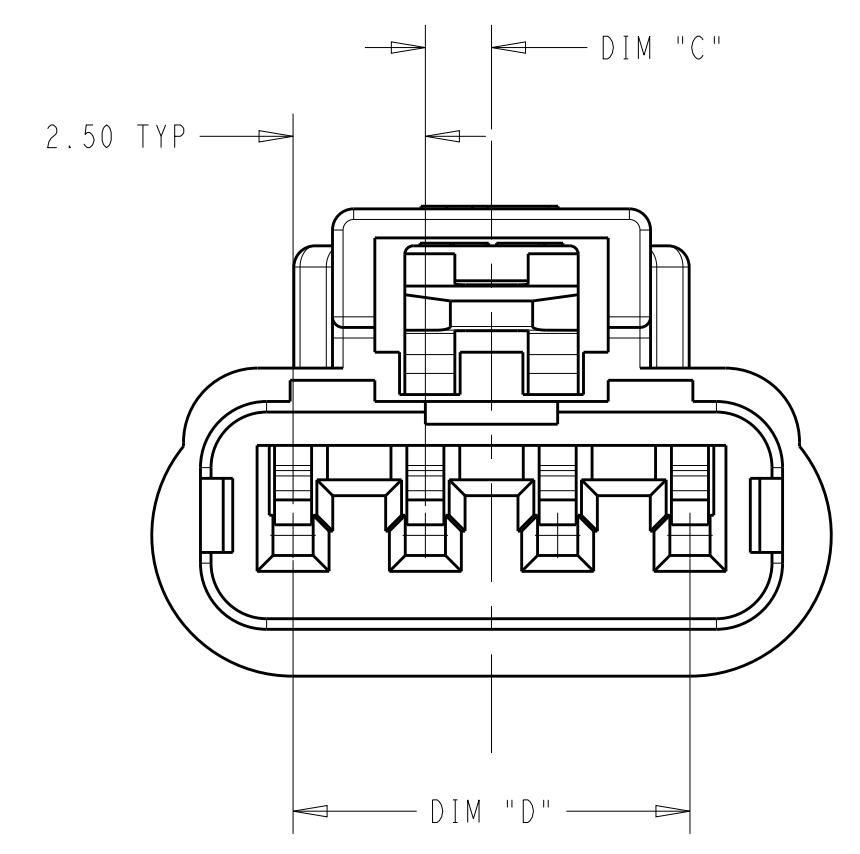
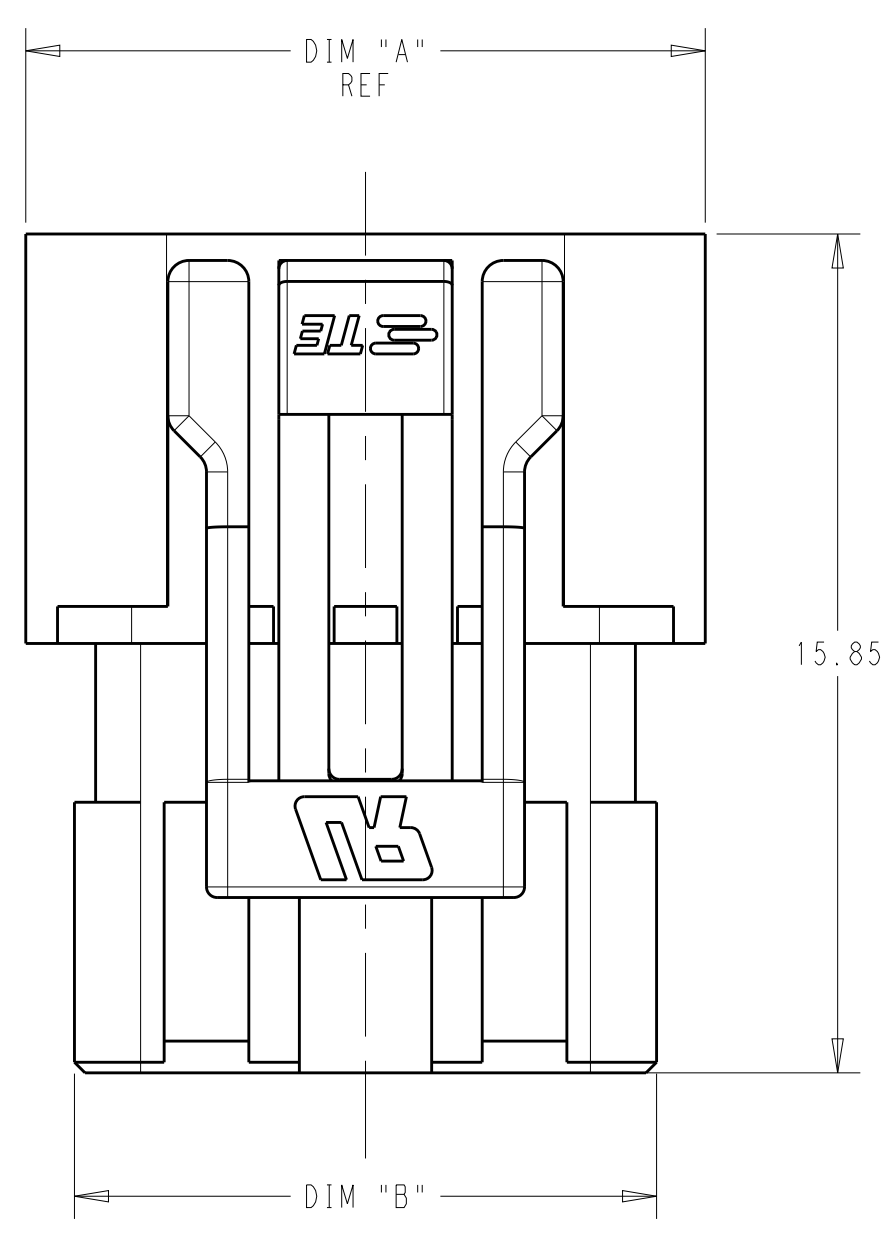
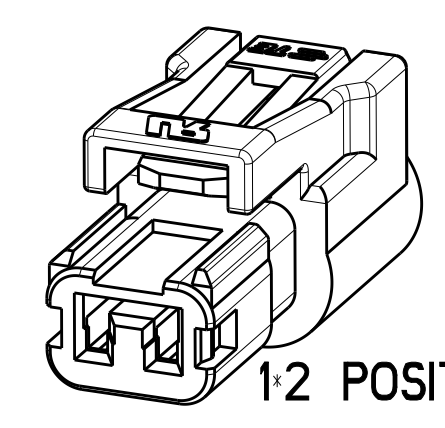


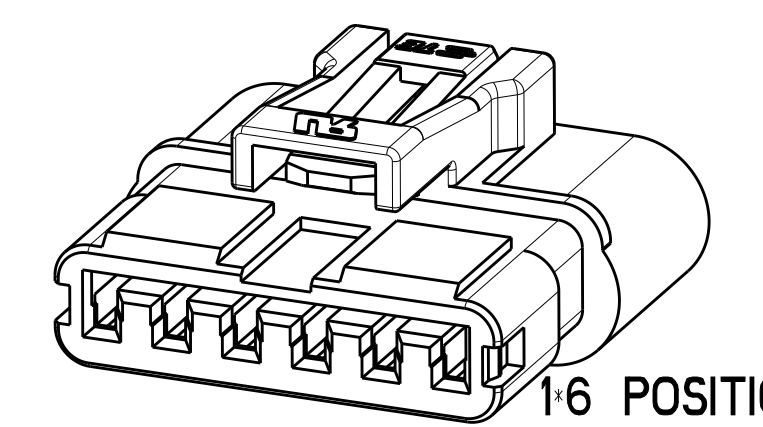
REVISIONS				
P.	LTN	DESCRIPTION	DATE	OWN APVD
A		NEW RELEASE	12FEB2020	L.C D. 2



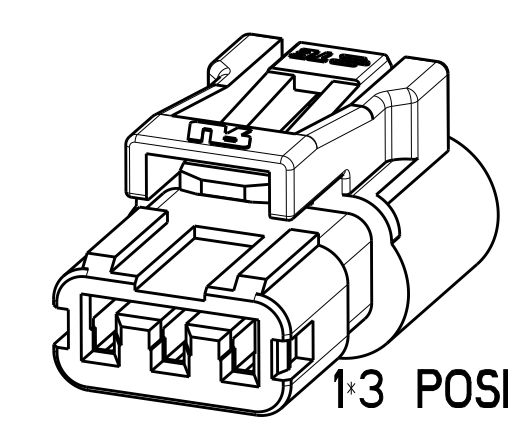
- 1 MATERIAL: PA66, UL94V-0, COLOR: NATURAL
- 2 APPLICABLE CONTACT P/N  
2321921-1 OR 1-2321921-1
- 3 MATING CONNECTOR P/N  
RECEP HSG: 2321926-\*/2321924-  
TPA (OPTIONAL): 2321919-  
PERIMETER SEAL: 2321920-  
GANG SEAL: 2321922-\*
- 4 COMPLY WITH GLOW WIRE REQUIREMENTS FOR PARTS OF NON-METALLIC MATERIAL SUPPORTING A CURRENT-CARRYING CONNECTION DETAILED IN IEC 60335-1, SECTION 30(GWT)
- 5 PRELIMINARY PART - NOT RELEASED FOR PRODUCTION  
THIS PART HAS NOT COMPLETED QUALIFICATION TESTING



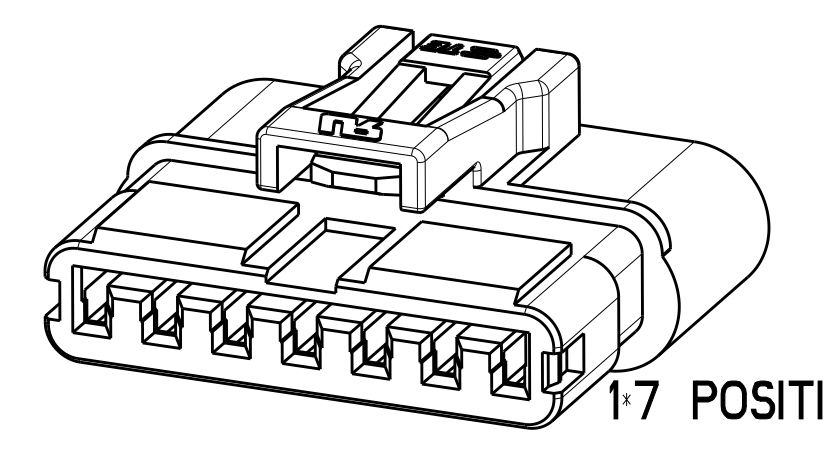
12 POSITION



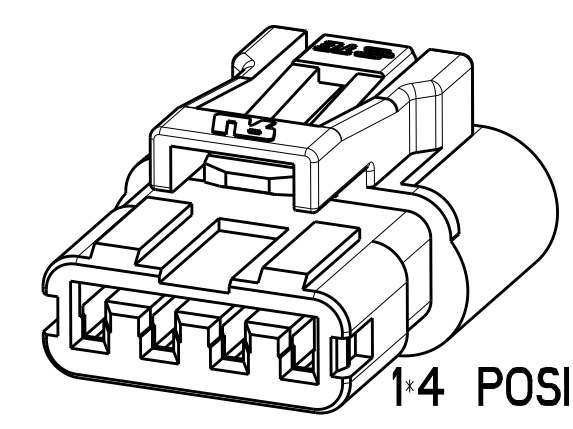
16 POSITION



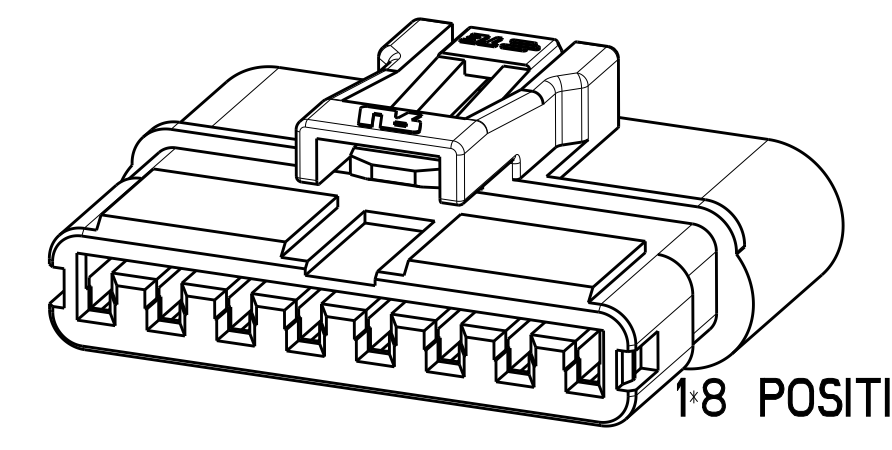
13 POSITION



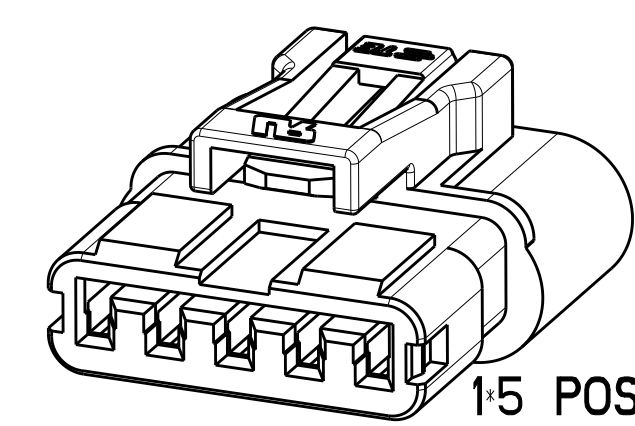
17 POSITION



14 POSITION



18 POSITION



15 POSITION

17.50	1.25	21.00	22.84	1*8	2321918-8
15.00	0	18.50	20.34	1*7	2321918-7
12.50	1.25	16.00	17.84	1*6	2321918-6
10.00	0	13.50	15.34	1*5	2321918-5
7.50	1.25	11.00	12.84	1*4	2321918-4
5.00	0	8.50	10.34	1*3	2321918-3
2.50	1.25	6.00	7.84	1*2	2321918-2
DIM "C"	DIM "C"	DIM "B"	DIM "A"	POSN	PART NUMBER

THIS DRAWING IS A CONTROLLED DOCUMENT.

DIMENSIONS:	TOLERANCES UNLESS OTHERWISE SPECIFIED:	OWN: B. WEAVER 15FEB2019	CHK: S. FERNANDES 15FEB2019	APVD: C. YI 15FEB2019
mm	0 PLC ± 1 PLC ± 2 PLC ±0.25 3 PLC ± 4 PLC ± ANGLES ±	PRODUCT SPEC	108-143069	APPLICATION SPEC
MATERIAL	FINISH	SIZE	114-143067	WEIGHT
		CAGE CODE	00779	DRAWING NO
		DRAWING NO	2321918	RESTRICTED TO
		CUSTOMER DRAWING	SCALE 4:1	SHEET 1 OF 1 REV A

**TE** TE Connectivity

PLUG HOUSING, SDL 2.5 WATERPROOF

单击下面可查看定价，库存，交付和生命周期等信息

[>>TE Connectivity\(泰科\)](#)