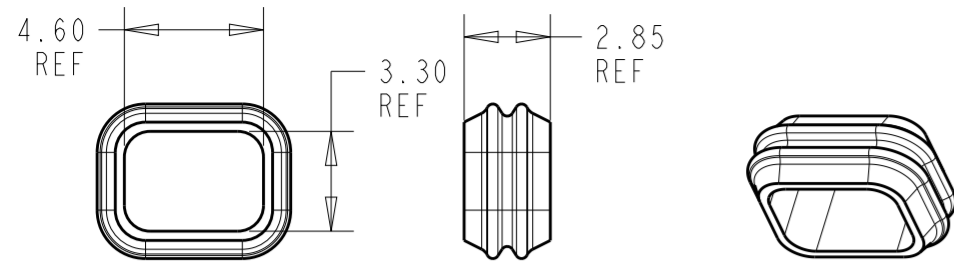
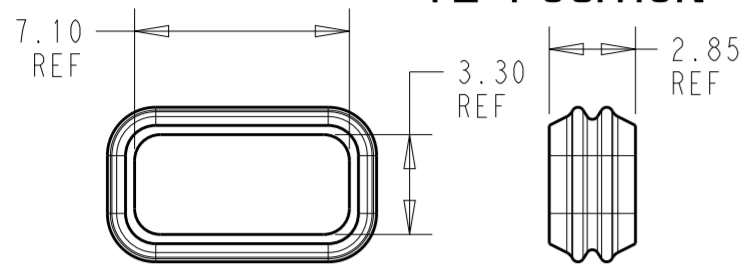


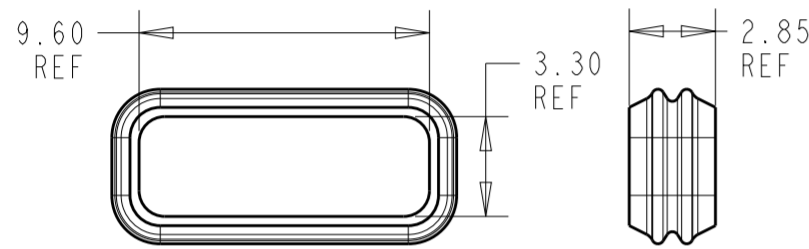
REVISIONS				
P	LTR	DESCRIPTION	DATE	APVD
	A	FIRST RELEASE	02APR2019	L.C D.Z



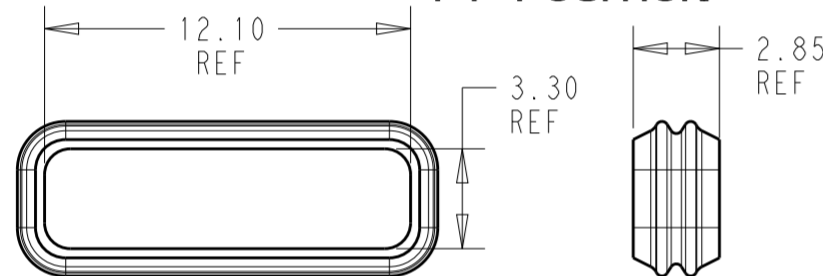
1x2 POSITION



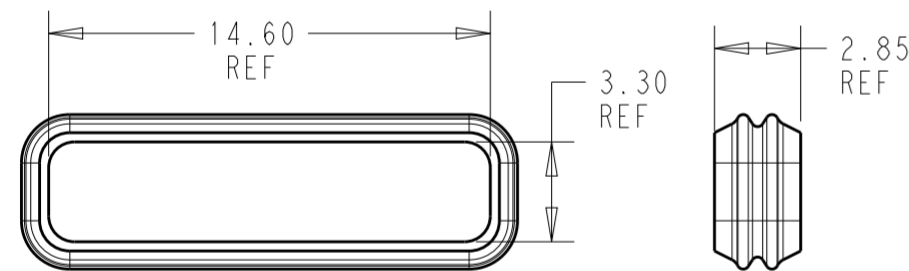
1x3 POSITION



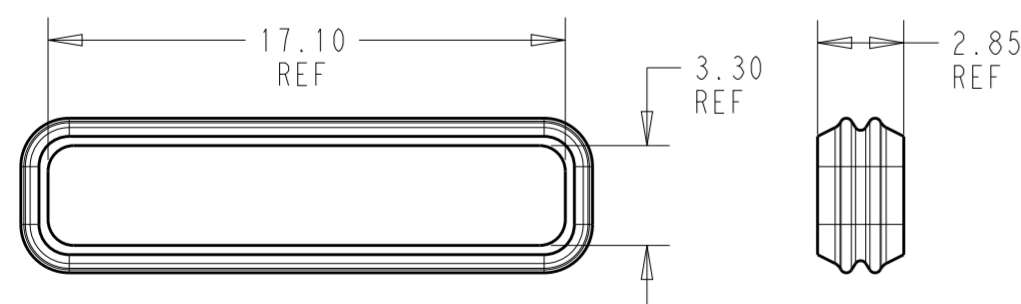
1x4 POSITION



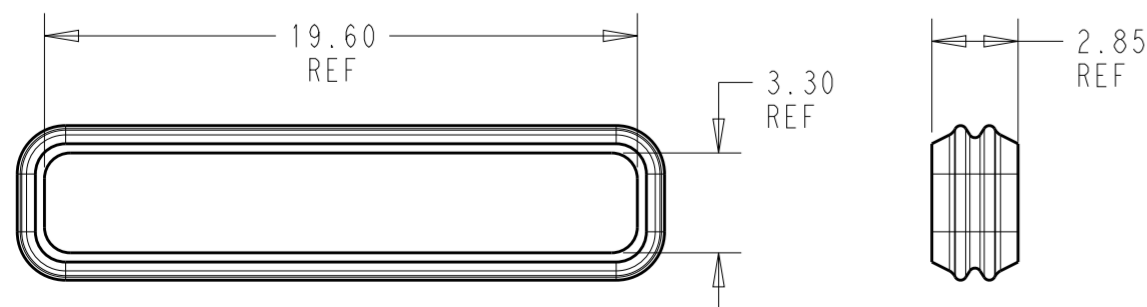
1x5 POSITION



1x6 POSITION



1x7 POSITION



1x8 POSITION

- 1 MATERIAL: SILICONE RUBBER, INHERENTLY LUBRICATED
COLOR - BLUE
- 2. MATING PLUG HOUSING P/N'S: 2321918-*
- 3 PRELIMINARY PART - NOT RELEASED FOR PRODUCTION

1*8	3 2321920-8
1*7	3 2321920-7
1*6	2321920-6
1*5	2321920-5
1*4	2321920-4
1*3	2321920-3
1*2	2321920-2
POSITION	PART NUMBER

THIS DRAWING IS A CONTROLLED DOCUMENT.		DWN B. WEAVER 05FEB2019	STE TE Connectivity	
DIMENSIONS: mm		CHK C. YI 05FEB2019		
TOLERANCES UNLESS OTHERWISE SPECIFIED:		APVD C. YI 05FEB2019	NAME PERIMETER SEAL, SDL 2.5 WATERPROOF	
0 PLC ±		PRODUCT SPEC 108-143069	SIZE CAGE CODE DRAWING NO RESTRICTED TO	
1 PLC ±		APPLICATION SPEC 114-143067	A2 00779 C-2321920	
2 PLC ±		WEIGHT -	SCALE 4:1 SHEET 1 OF 1 REV A	
3 PLC ±		CUSTOMER DRAWING		
4 PLC ±				
ANGLES ±				
FINISH -				
MATERIAL 1				

单击下面可查看定价，库存，交付和生命周期等信息

[>>TE Connectivity\(泰科\)](#)