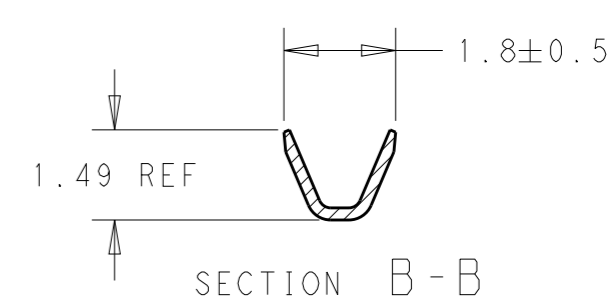
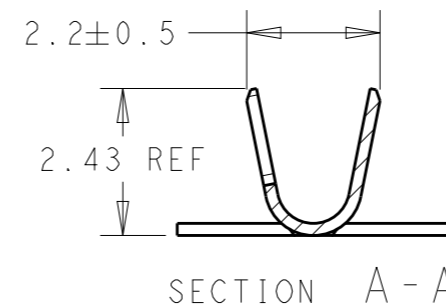
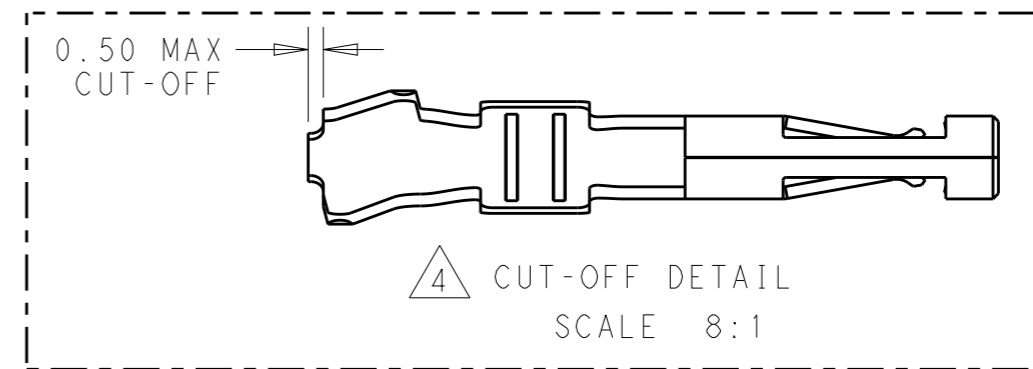
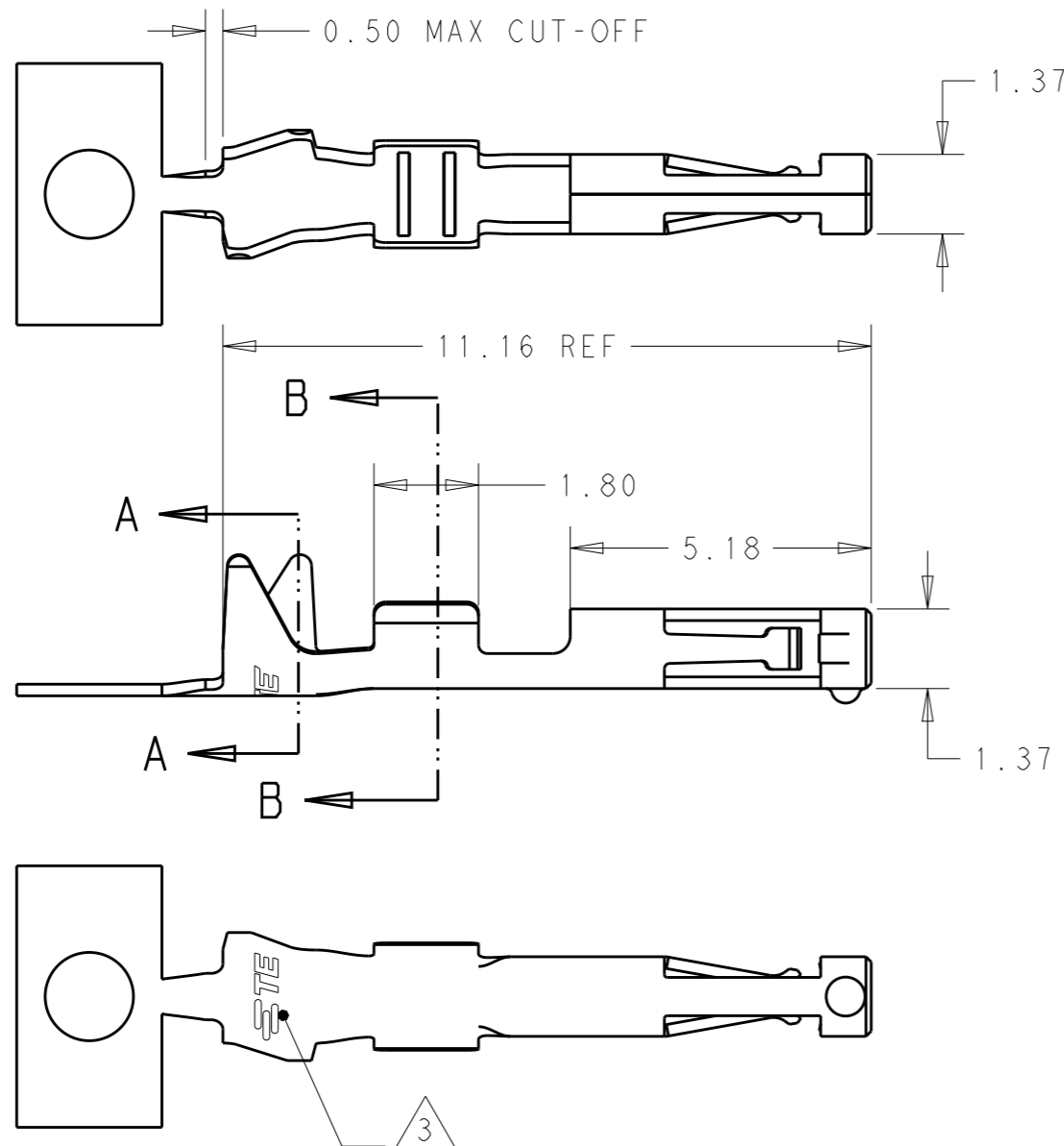


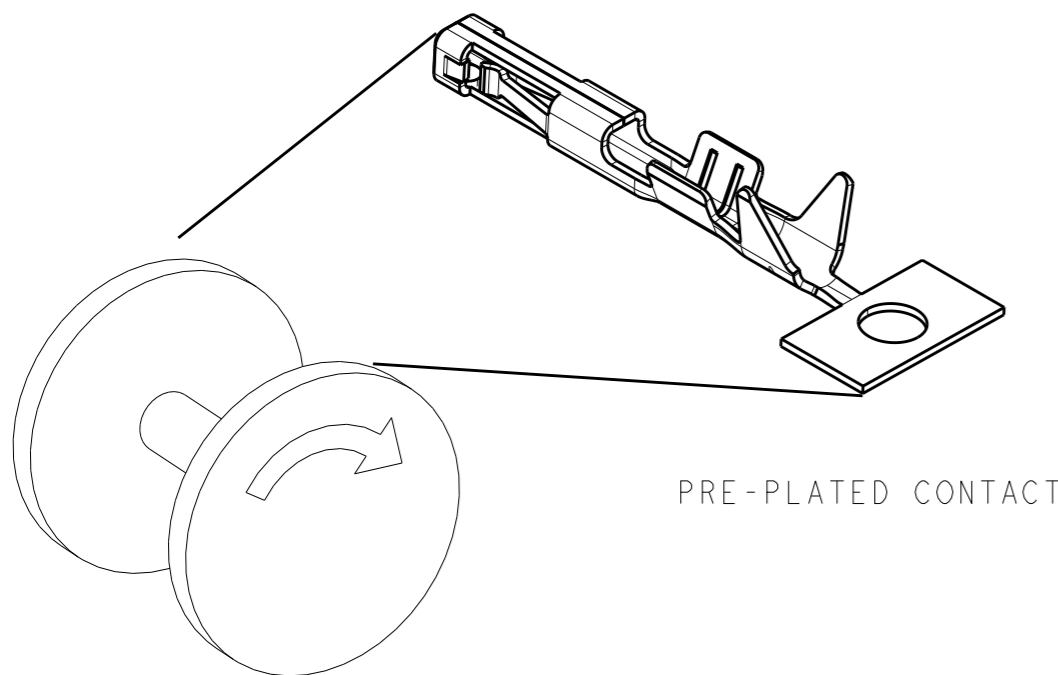
THIS DRAWING IS UNPUBLISHED. RELEASED FOR PUBLICATION 20 ALL RIGHTS RESERVED. © COPYRIGHT 20 BY -

REVISIONS

P	LTR	DESCRIPTION	DATE	DWN	APVD
	A	INITIAL RELEASE	08AUG2019	L.C	D.Z



- 1 COPPER ALLOY, 0.20 THICK, REF
- 2 FINISH: TIN PRE-PLATED
- 3 TE LOGO LOCATED APPROX IN THIS AREA
- 4 TO BE SUPPLIED WITH LOOSE PIECE, SEE CUT-OFF DETAIL
- 5 MATING PLUG HOUSING P/NS: 2321918-*
- 6 APPLICATION FEED 6.0mm



INSULATION DIA	WIRE RANGE	REMARKS	FINISH	PART NO
1.30-1.60	22-26 AWG	LOOSE PIECE, SEE 4	2	1-2321921-1
1.30-1.60	22-26 AWG	ON REEL	2	2321921-1

THIS DRAWING IS A CONTROLLED DOCUMENT.		DWN R. SMITH 28JUL2017	TE Connectivity	
DIMENSIONS: mm		CHK C. YI 28JUL2017		
TOLERANCES UNLESS OTHERWISE SPECIFIED:		APVD C. YI 28JUL2017	NAME RECEPTACLE TERMINAL, SDL 2.5 WATERPROOF	
0 PLC ±-		PRODUCT SPEC 108-143069	SIZE CAGE CODE DRAWING NO RESTRICTED TO	
1 PLC ±0.50		APPLICATION SPEC 114-143067	A300779 C-2321921	
2 PLC ±0.25		WEIGHT -	SCALE 6:1 SHEET 1 OF 1 REV A	
3 PLC ±-		CUSTOMER DRAWING		
4 PLC ±-				
ANGLES ±-				
MATERIAL 1				
FINISH -				
SEE TABLE				

单击下面可查看定价，库存，交付和生命周期等信息

[>>TE Connectivity\(泰科\)](#)