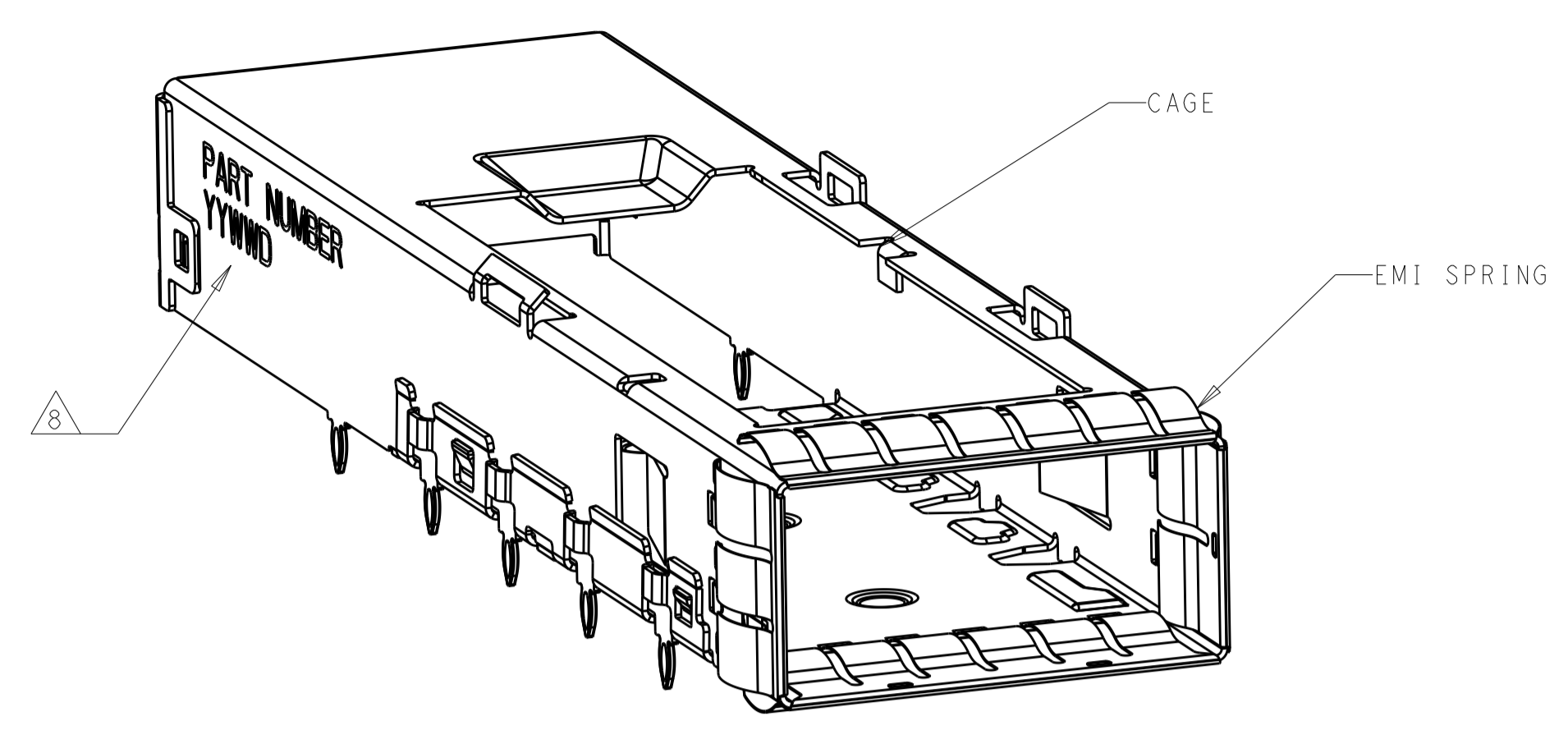
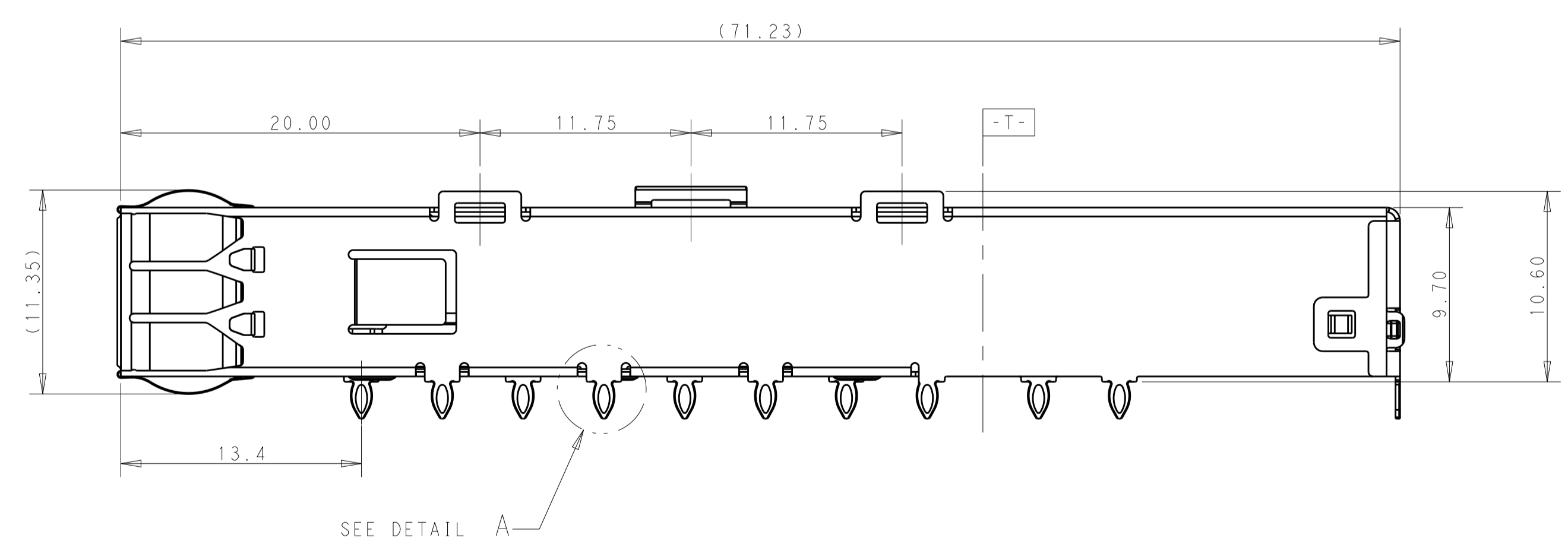
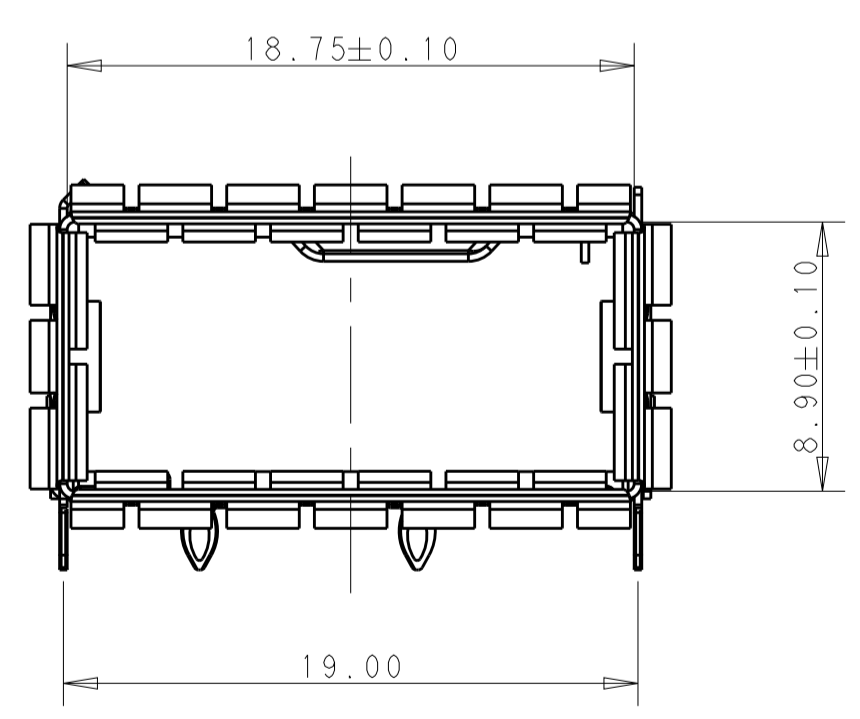
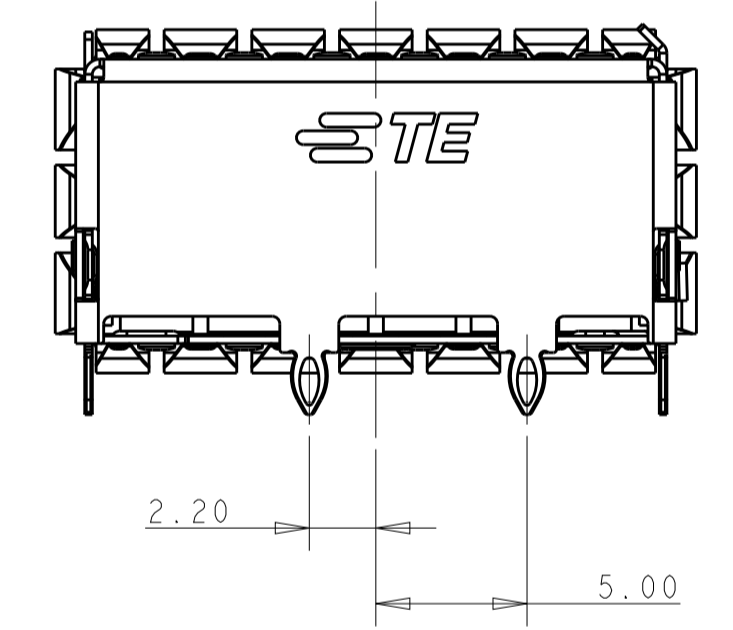
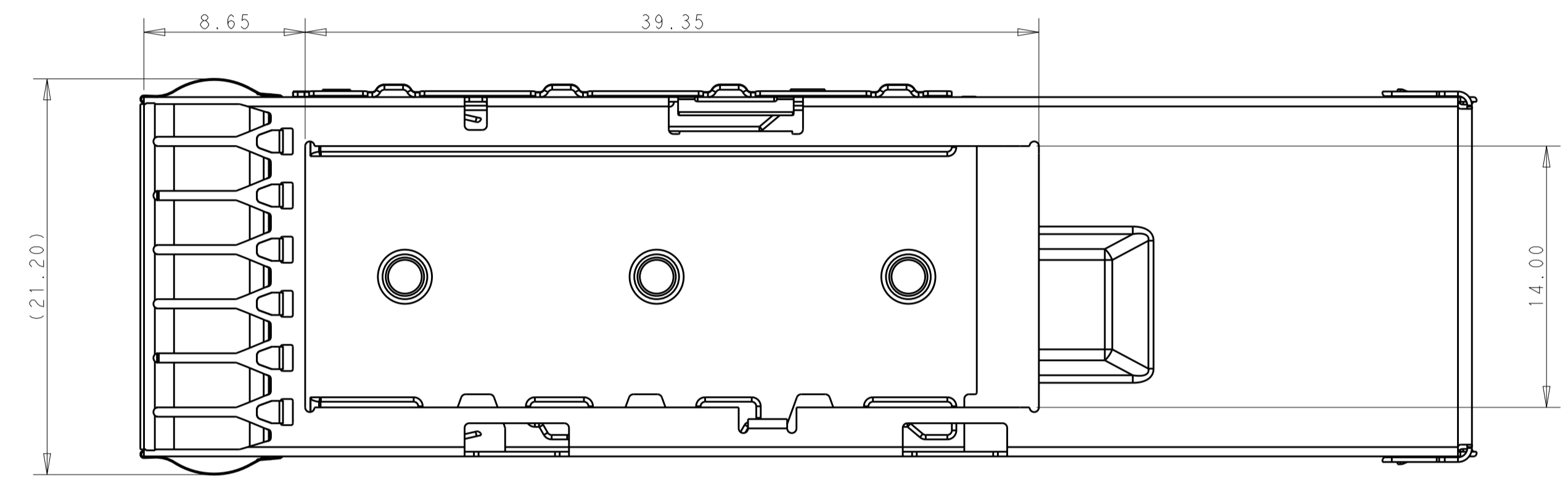


LOC	DIST	REVISIONS					
		P	LTN	DESCRIPTION	DATE	OWN	APP'D
		A		INITIAL RELEASE	01SEP2019	AJ	SH
		A1		ADDED NEW DASH 2-5	26NOV2019	AJ	SH
		A2		REVISED TOLERANCE MISSING ISSUE	23APR2020	AJ	SH
		A3		ADDED NEW DASH 2-6. REMOVED 2-2	01JUN2020	AJ	SH

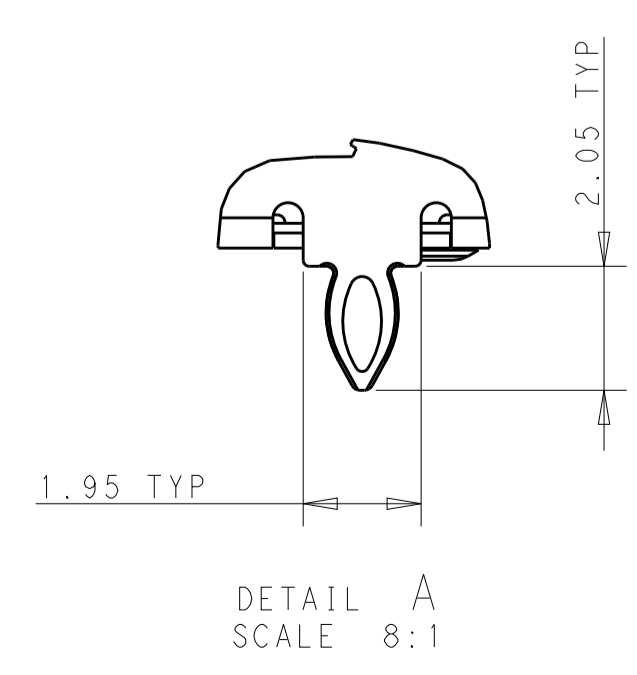


2324171-2 AS SHOWN
SCALE 4:1

1. MATERIAL:
CAGE MATERIAL : 0.25 THICK STAINLESS STEEL.
SPRING MATERIAL: COPPER ALLOY
2. FINISH:
SPRING: NICKEL PLATING
CONNECTOR EMI SPRING: TIN PLATING
3. DIMENSION APPLIES WITH MODULE INSTALLED IN THE CAGE TO TOP OF HEAT SINK.
4. REFERENCE APPLICATION SPEC 114-60025 FOR RECOMMENDED DRILL HOLE DIAMETER AND PLATING THICKNESS.
5. DATUM AND BASIC DIMENSIONS ESTABLISHED BY CUSTOMERS.
6. MINIMUM PC BOARD THICKNESS : SINGLES SIDED: 1.57 MIN
DOUBLE SIDED: 3.00 MIN
7. DATUM -A- IS TOP SURFACE OF THE HOST BOARD.
8. DATE CODE (YYWW) MARKED APPROXIMATELY AS SHOWN
9. MATES WITH QSFP DD MSA COMPATIBLE TRANSCEIVER.



2324171-2
SCALE 4:1

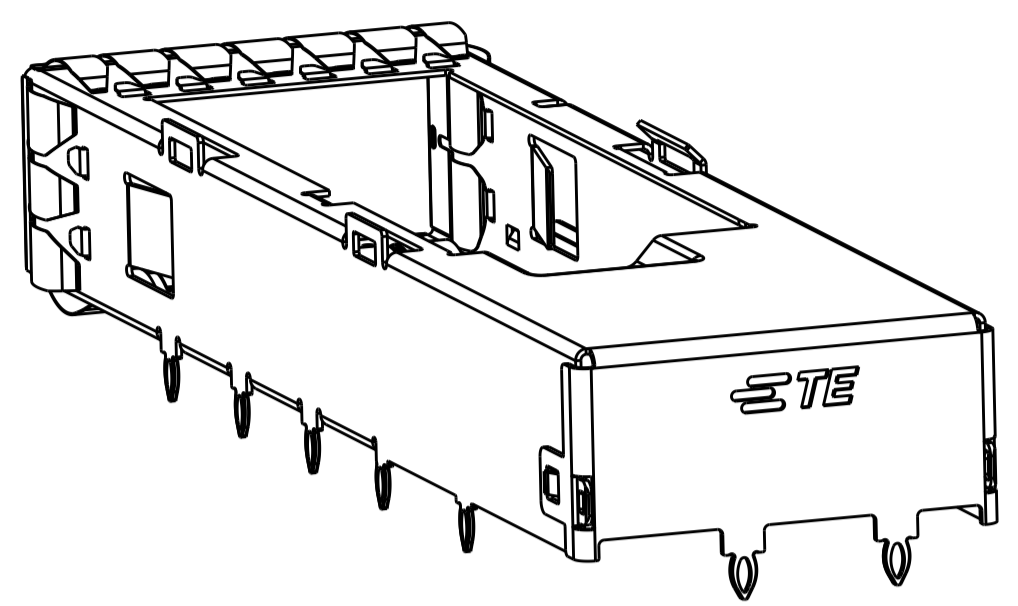


DETAIL A
SCALE 8:1

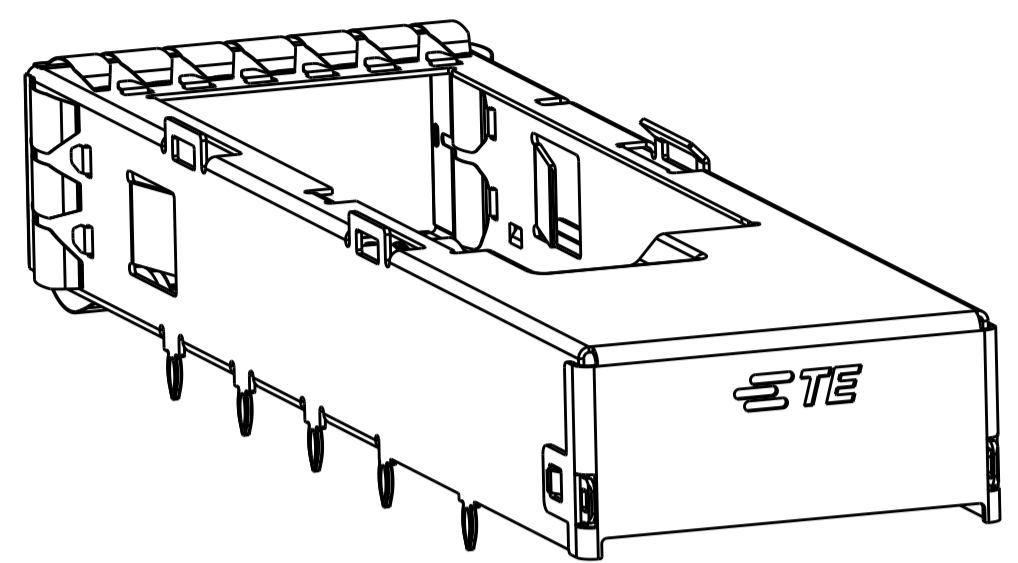
CLOSED TOP	1	2-2324171-6
CLOSED TOP	0	2-2324171-5
CUST,W/O CLIP LATCH	2	2-2324171-4
CUST,W/O CLIP LATCH	1	1-2324171-0
STANDARD	1	2324171-8
STANDARD	0	2324171-7
STANDARD	2	2324171-2
REMARK	# REAR PINS	PART NUMBER

THIS DRAWING IS A CONTROLLED DOCUMENT.		OWN: ARTHUR JIN 24FEB2018	TE Connectivity
DIMENSIONS: mm		CHK: SEAN HAN 24FEB2018	
TOLERANCES UNLESS OTHERWISE SPECIFIED:		APP'D: SEAN HAN 24FEB2018	NAME: CAGE ASSEMBLY, QSFP-DD STANDARD 1X1, WITH EMI SPRING FINGER
0 PLC ±0.25		PRODUCT SPEC: 108-60122	
1 PLC ±0.25		APPLICATION SPEC: 114-60025	SIZE: A1
2 PLC ±0.20		WEIGHT: -	SCALE: 2:1
3 PLC ±0.10		CUSTOMER DRAWING	SHEET 1 OF 6
4 PLC ±			REV: A3
ANGLES			
FINISH			

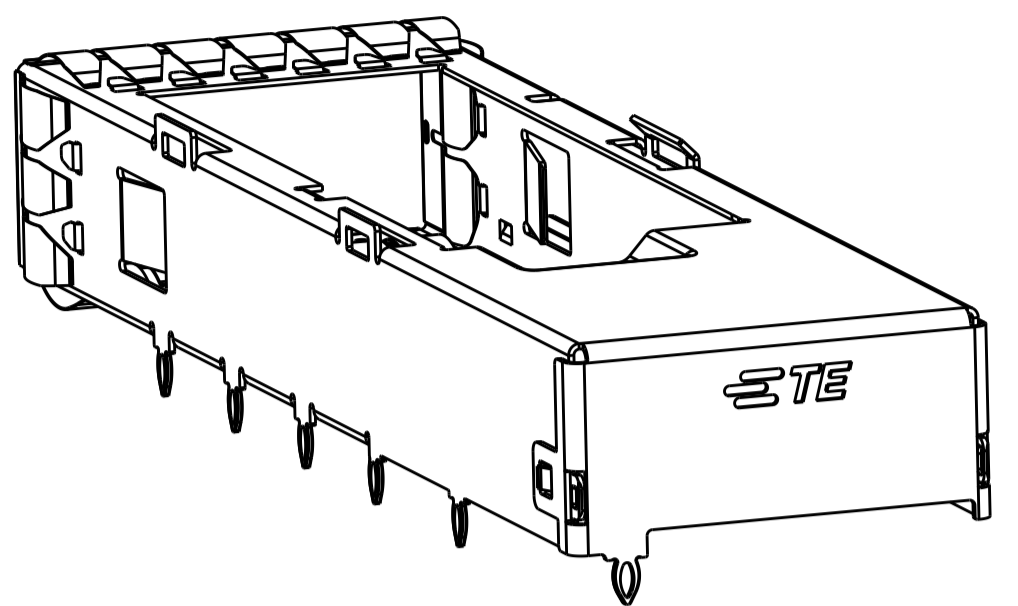
LOC		DIST		REVISIONS			
		P	LTN	DESCRIPTION	DATE	OWN	APVD
-	-	-	-	SEE SHEET 1	-	-	-



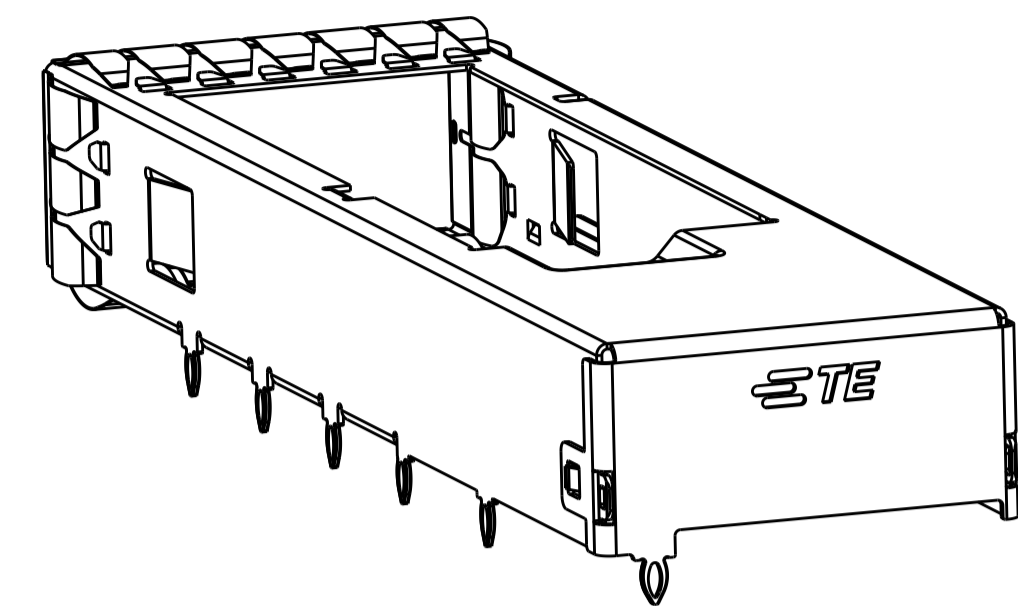
2324171-2 AS SHOWN
WITH 2 REAR PINS
SCALE 3:1



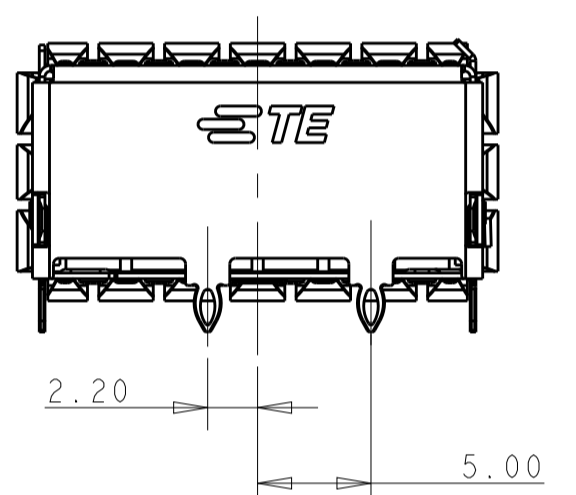
2324171-7 AS SHOWN
WITH 0 REAR PINS
SCALE 3:1



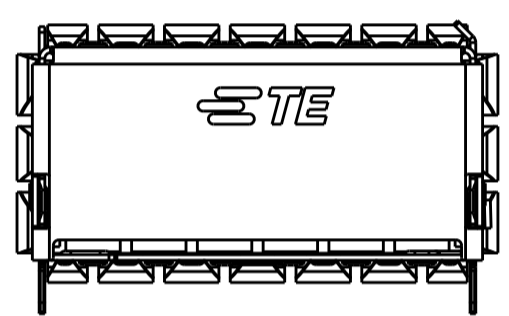
2324171-8 AS SHOWN
WITH 1 REAR PINS
SCALE 3:1



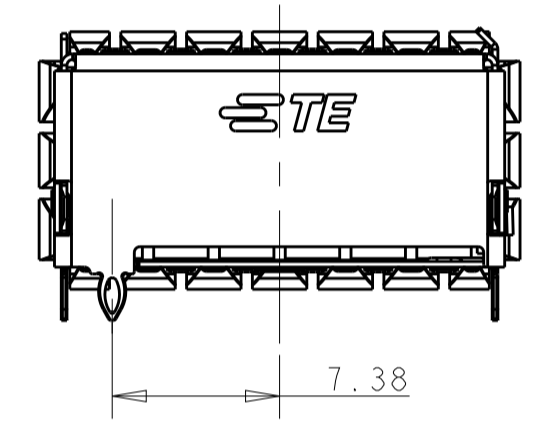
1-2324171-0 AS SHOWN
WITH 1 REAR PINS
W/O CLIP RETENTION FEATURES
SCALE 3:1



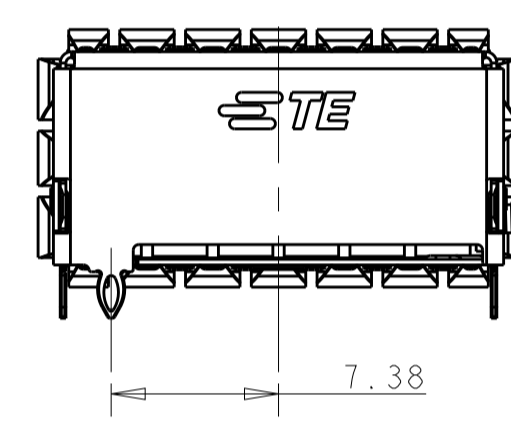
2324171-2
SCALE 3:1



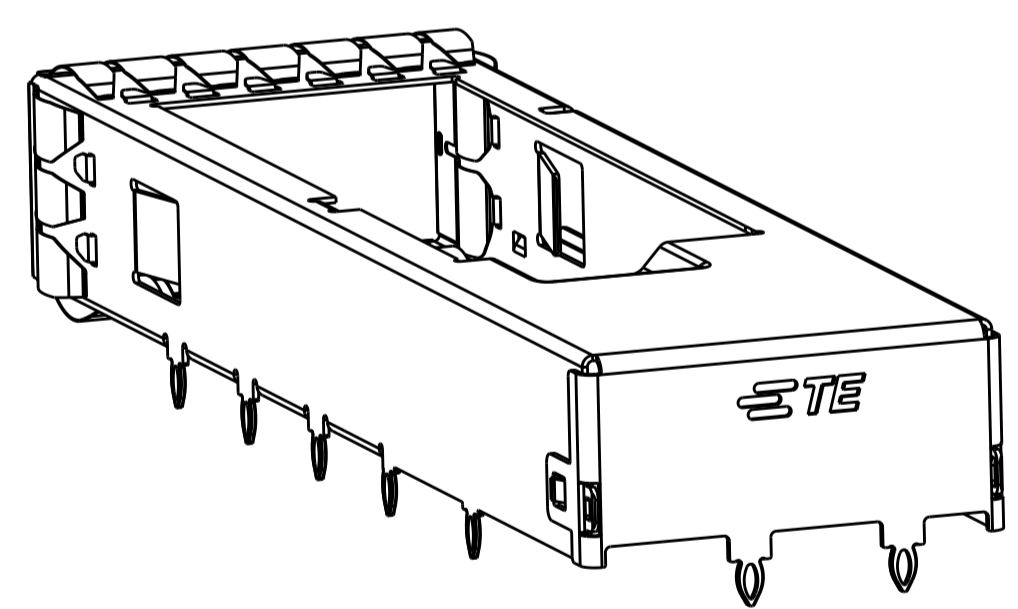
2324171-7
SCALE 3:1



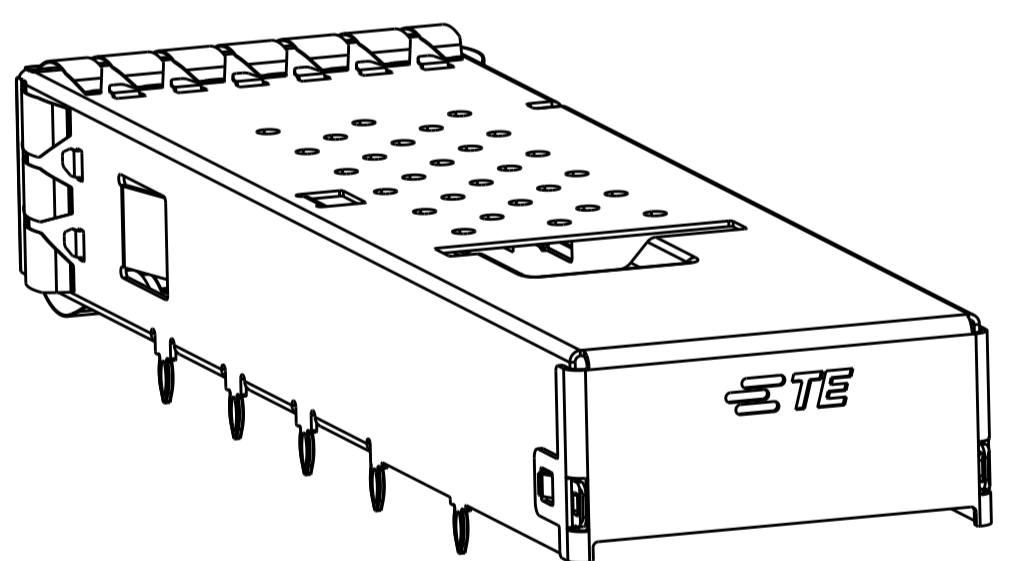
2324171-8
SCALE 3:1



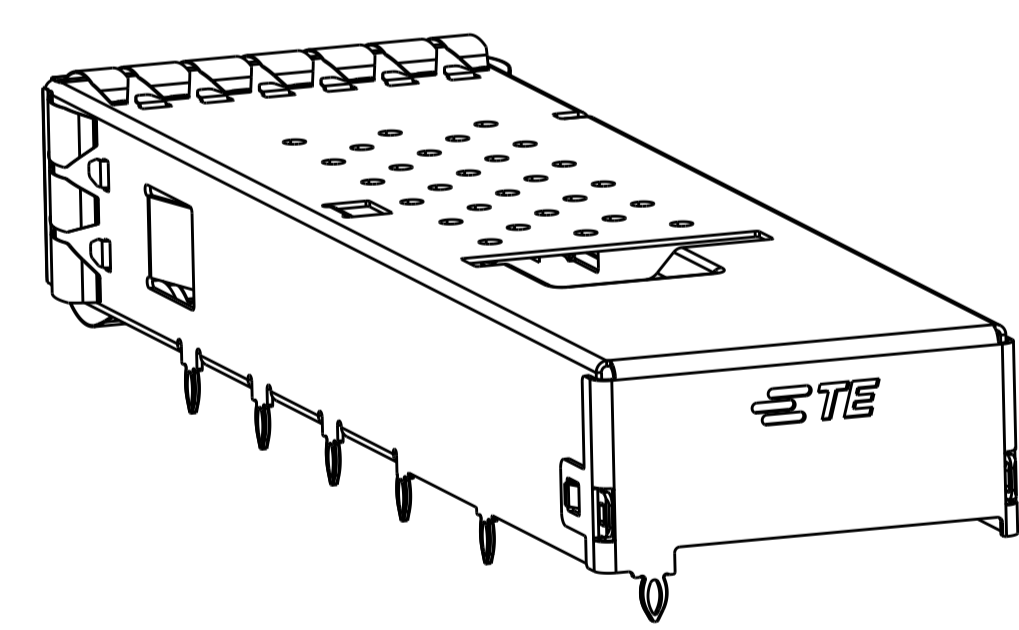
1-2324171-0
SCALE 3:1



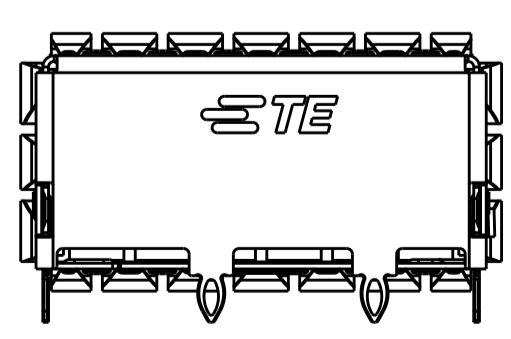
2-2324171-4 AS SHOWN
WITH 2 REAR PINS
W/O CLIP RETENTION FEATURES
SCALE 3:1



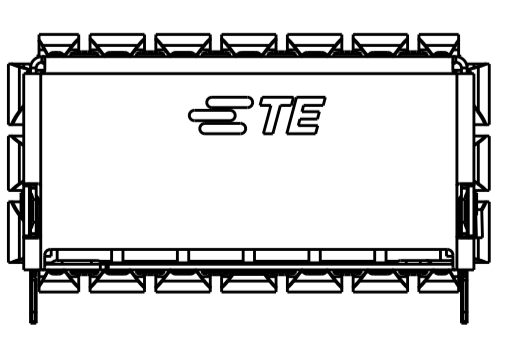
2-2324171-5 AS SHOWN
WITH CLOSED TOP AND 0 REAR PINS
SCALE 3:1



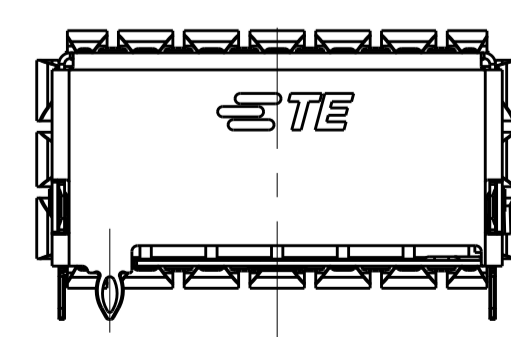
2-2324171-6 AS SHOWN
WITH CLOSED TOP AND 1 REAR PINS
SCALE 3:1



2-2324171-4 AS SHOWN
SCALE 3:1



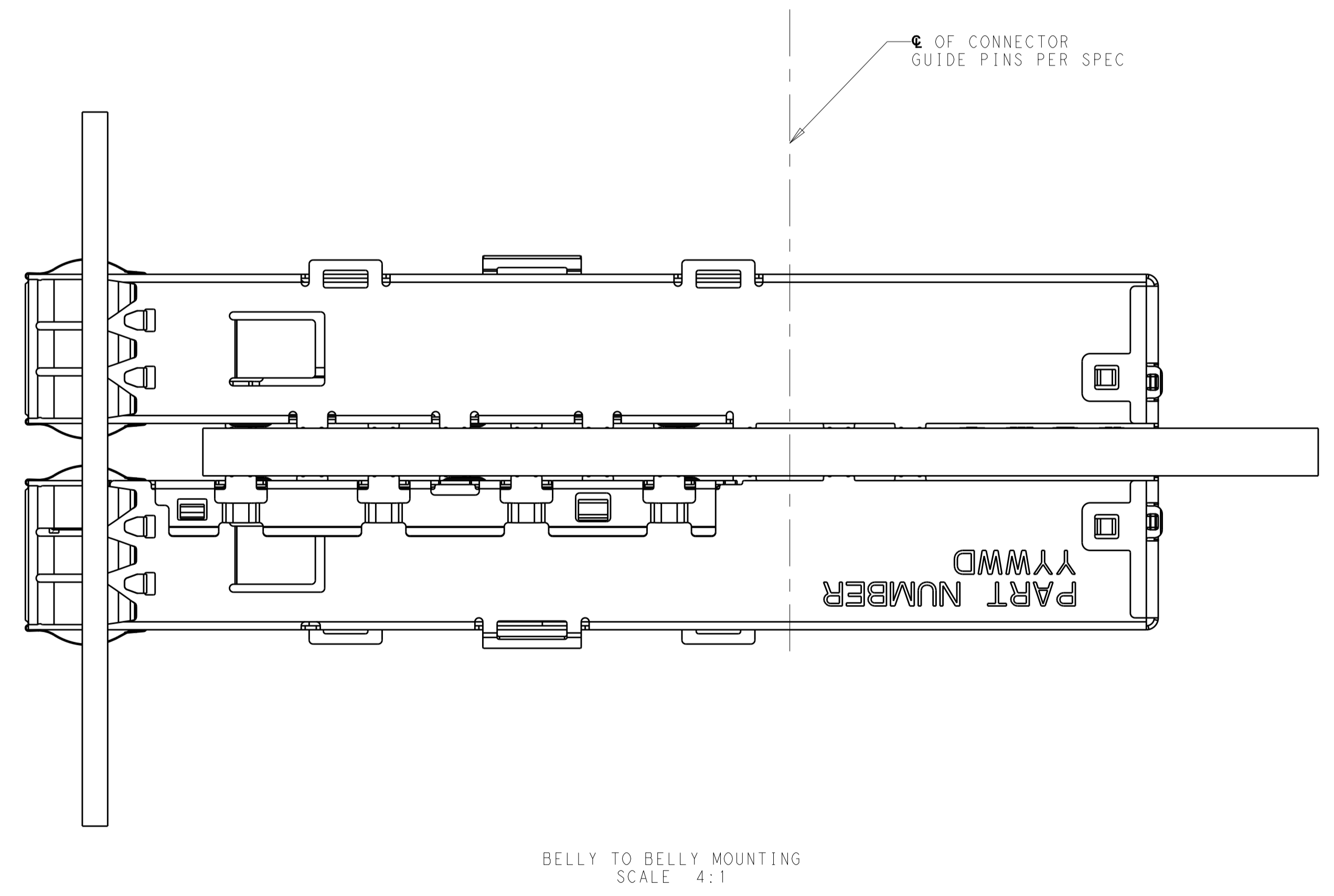
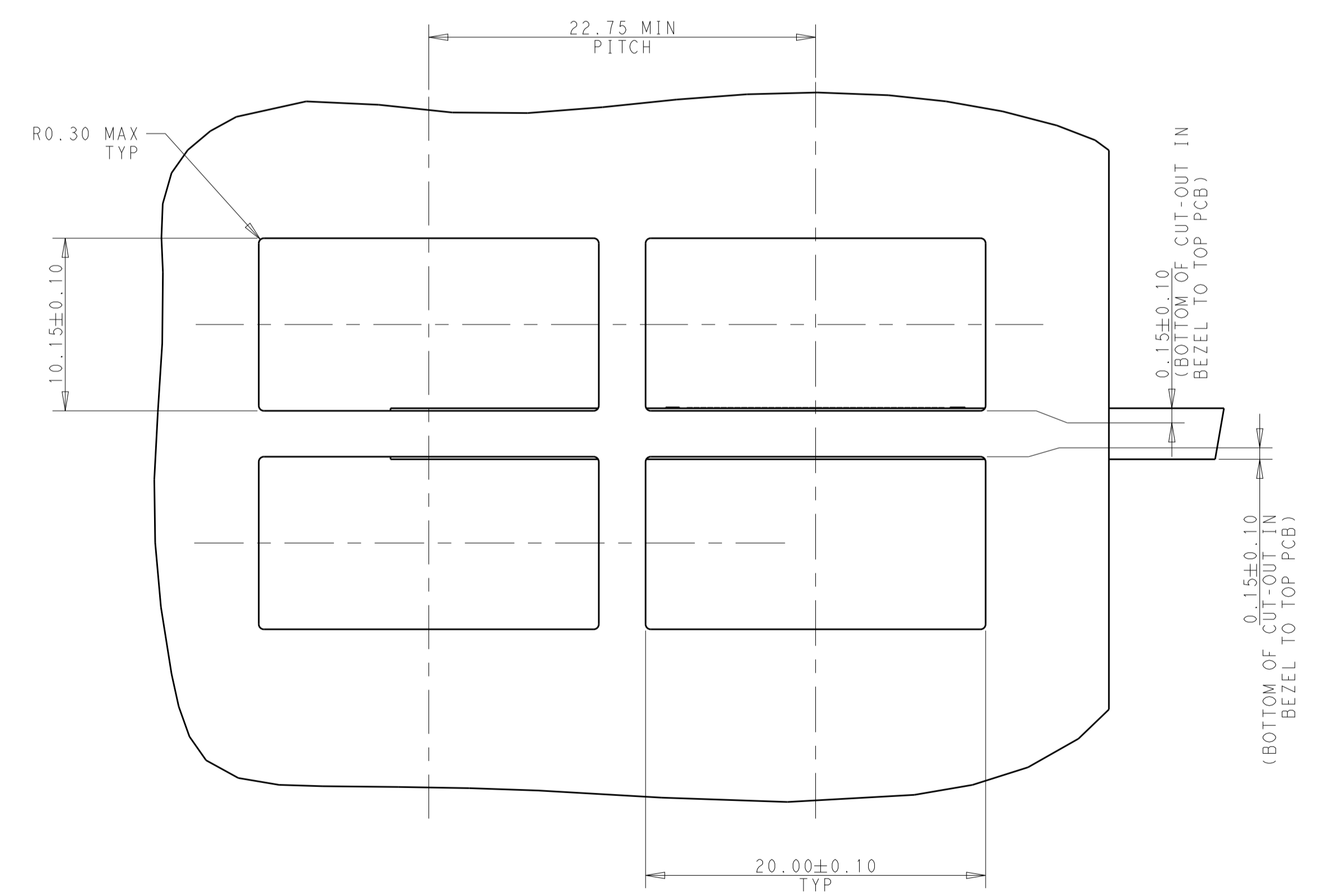
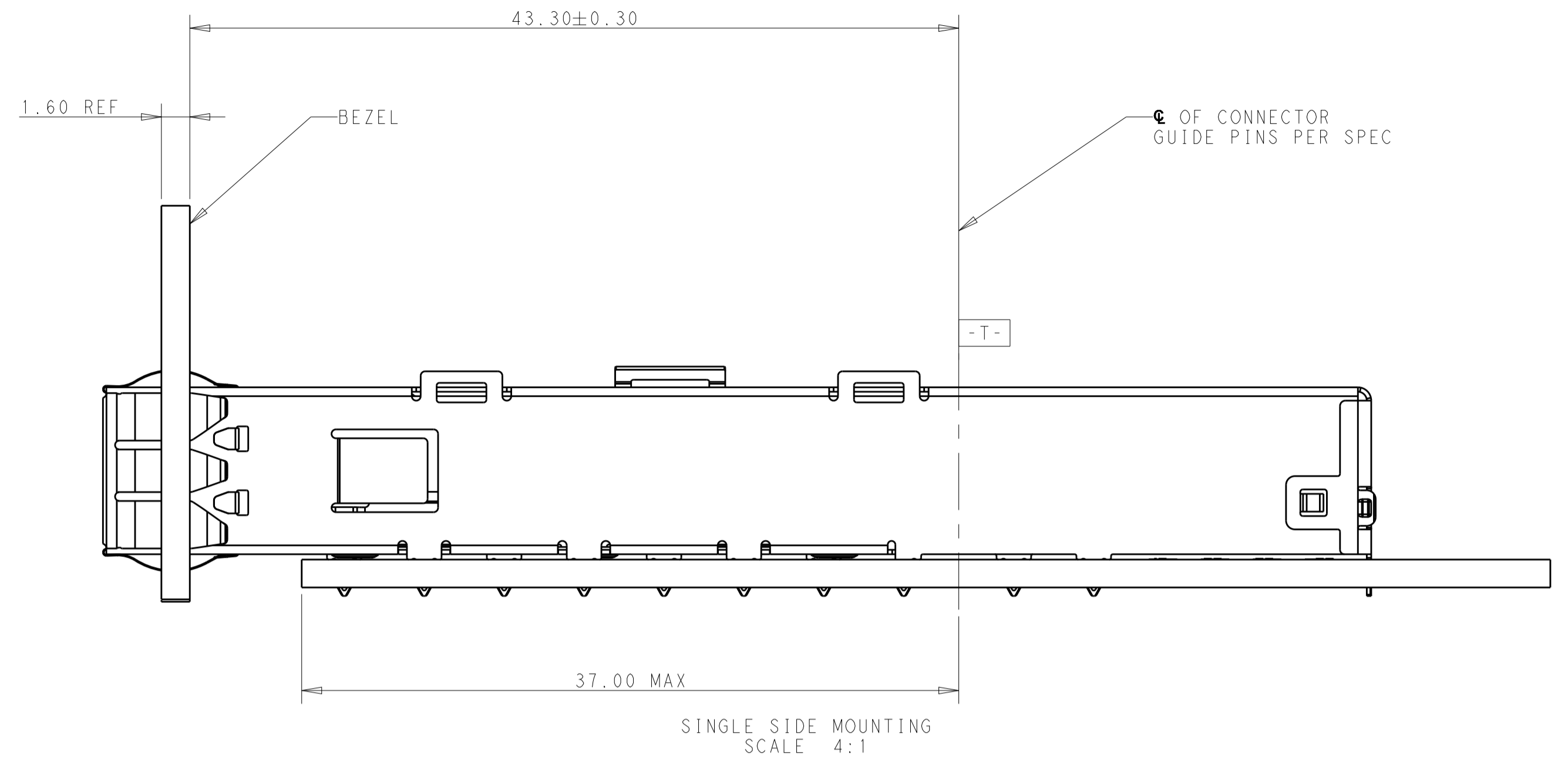
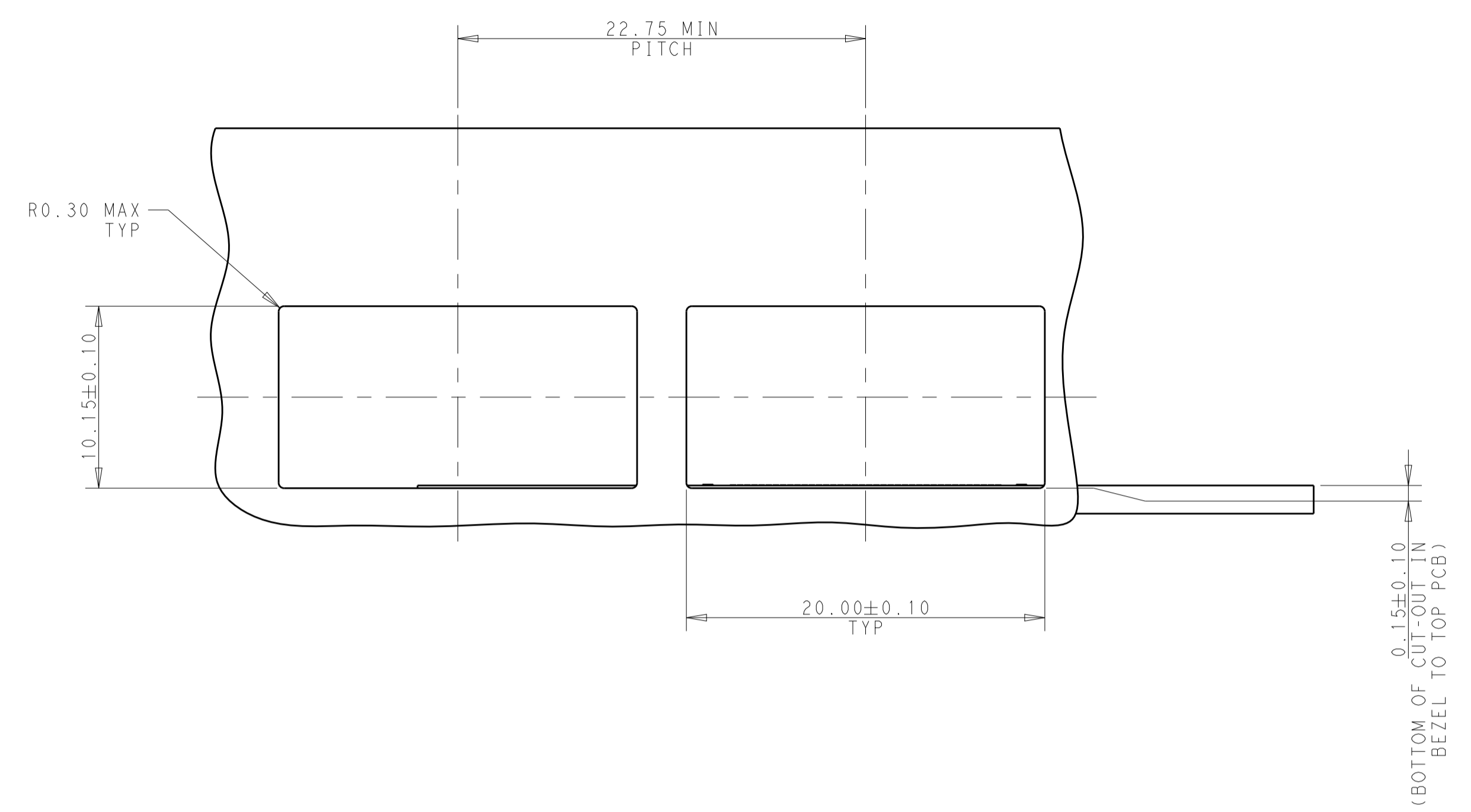
2-2324171-5 AS SHOWN
SCALE 3:1



2-2324171-6 AS SHOWN
SCALE 3:1

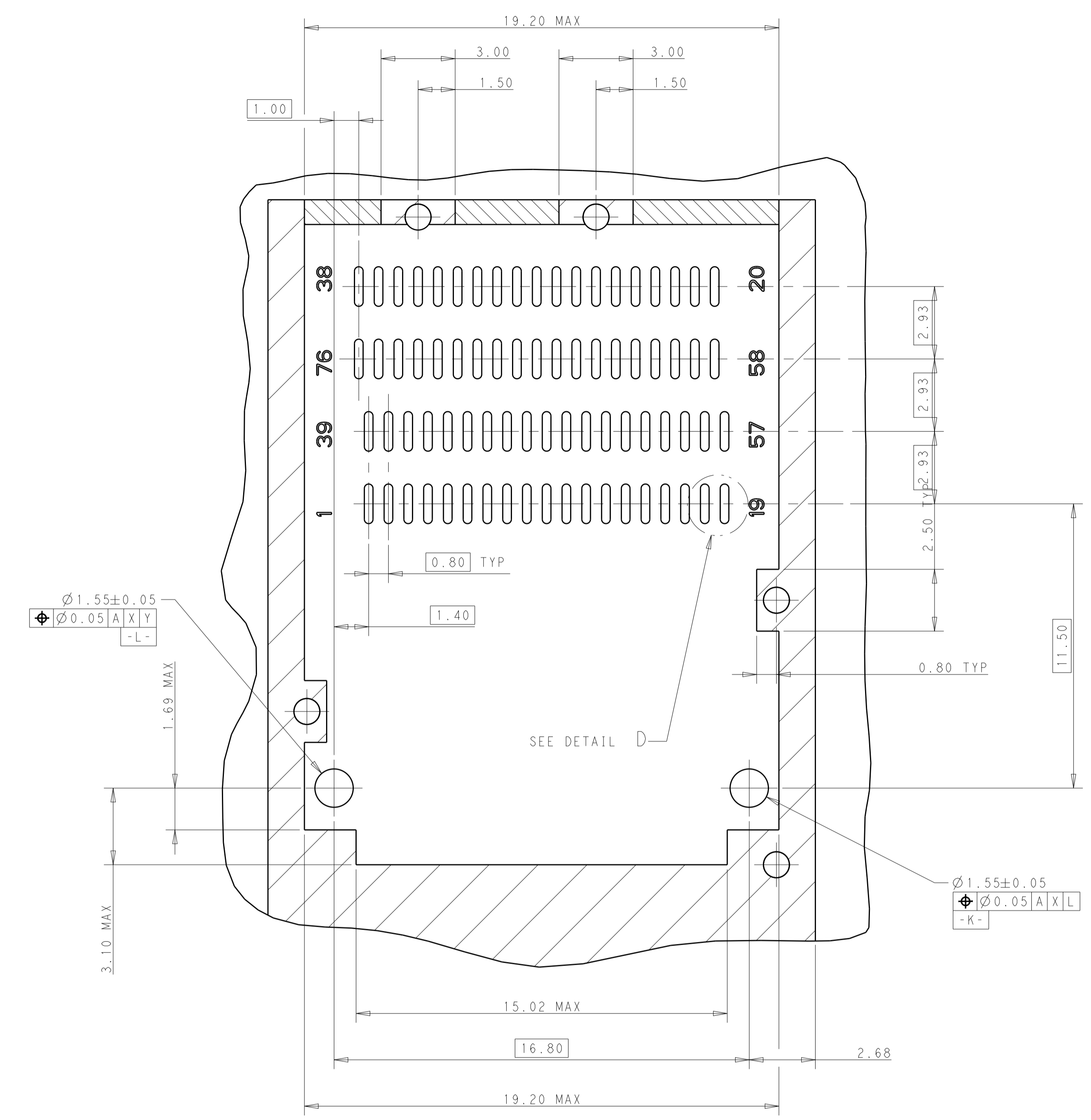
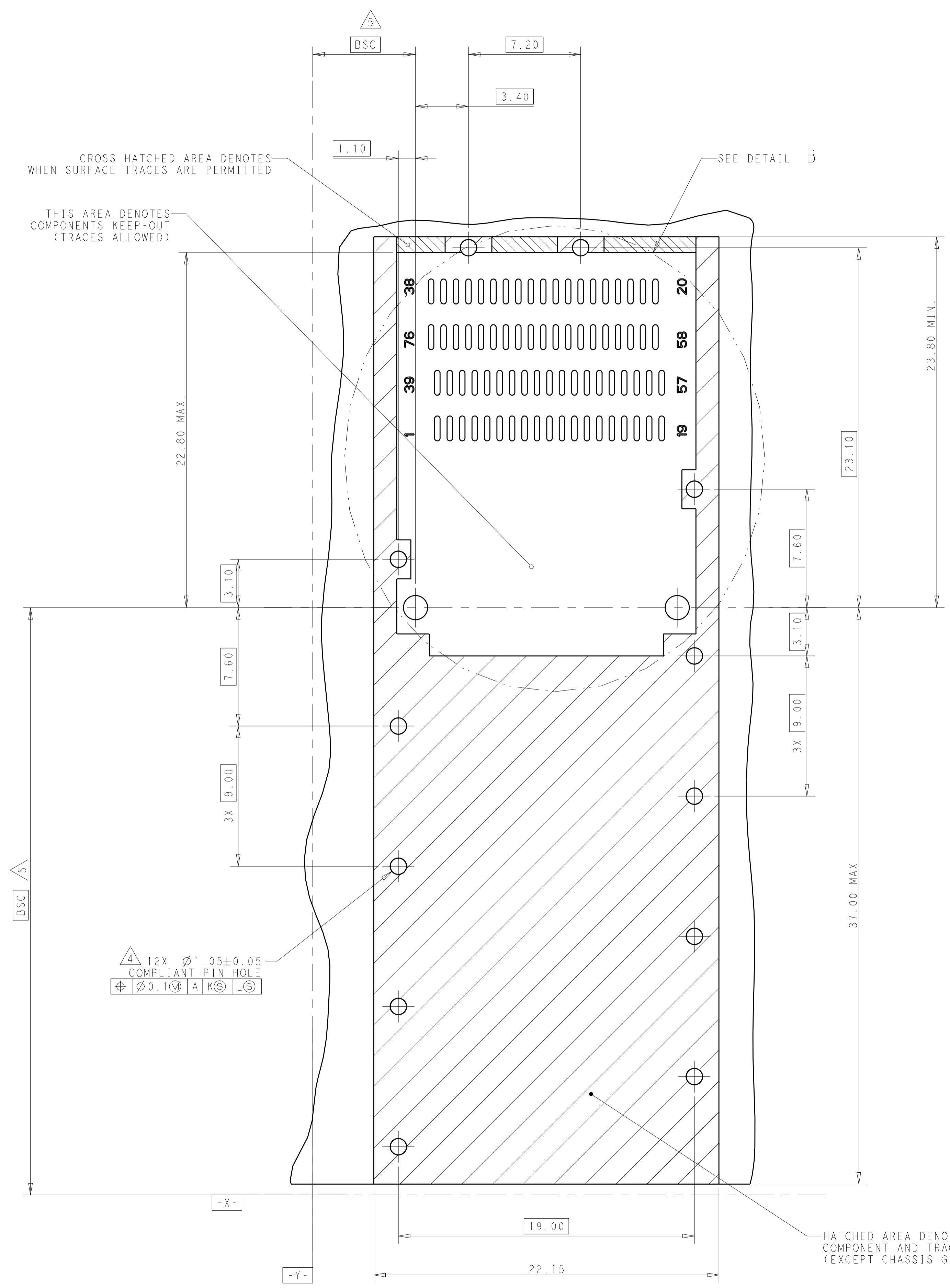
THIS DRAWING IS A CONTROLLED DOCUMENT.		OWN: ARTHUR JLN 24FEB2018	TE Connectivity
DIMENSIONS:		CHK: SEAN HAN 24FEB2018	
mm	TOLERANCES UNLESS OTHERWISE SPECIFIED:	APVD: SEAN HAN 24FEB2018	NAME: CAGE ASSEMBLY, QSFP-DD STANDARD 1X1, WITH EMI SPRING FINGER
0 PLC ±0.25	1 PLC ±0.25	PRODUCT SPEC: 108-60122	
2 PLC ±0.25	3 PLC ±0.25	APPLICATION SPEC: 114-60025	SIZE: A1
4 PLC ±0.10	ANGLES ±°	WEIGHT: -	SCALE: 2:1
MATERIAL: -	FINISH: -	CUSTOMER DRAWING	SHEET 2 OF 6
			REV: A3

LOC		DIST		REVISIONS			
				DESCRIPTION	DATE	OWN	APVD
-	-	-	-	SEE SHEET 1	-	-	-

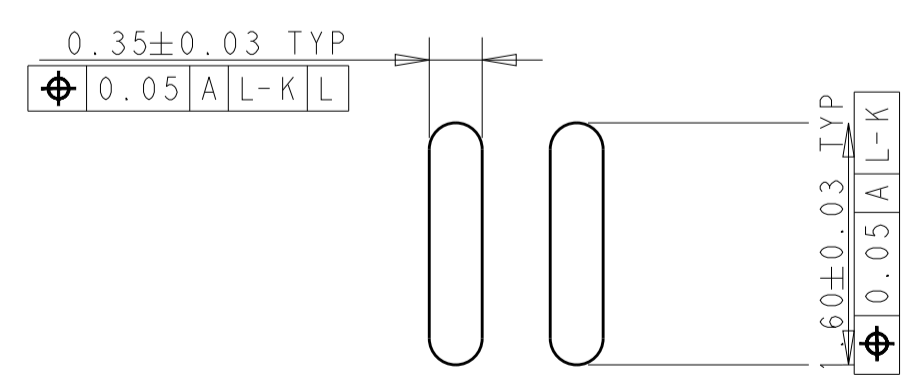


THIS DRAWING IS A CONTROLLED DOCUMENT.		OWN: ARTHUR JIN 24FEB2018	TE Connectivity
DIMENSIONS: mm		CHK: SEAN HAN 24FEB2018	
TOLERANCES UNLESS OTHERWISE SPECIFIED:		APVD: SEAN HAN 24FEB2018	NAME: CAGE ASSEMBLY, QSPF-DD STANDARD 1X1, WITH EMI SPRING FINGER
0 PLC ±0.25 1 PLC ±0.25 2 PLC ±0.20 3 PLC ±0.10 4 PLC ± ANGLES ±°		PRODUCT SPEC: 108-60122	
MATERIAL: -		APPLICATION SPEC: 114-60025	RESTRICTED TO: -
FINISH: -		WEIGHT: -	SCALE: 2:1
CUSTOMER DRAWING		SIZE: A1	SHEET 3 OF 6
		CAGE CODE: 2324171	REV: A3

LOC	DIST	REV	DATE	BY	APPV
-	-	1	-	-	-
REVISIONS			DATE	BY	APPV
DESCRIPTION					
SEE SHEET 1					



DETAIL B
SCALE 8:1

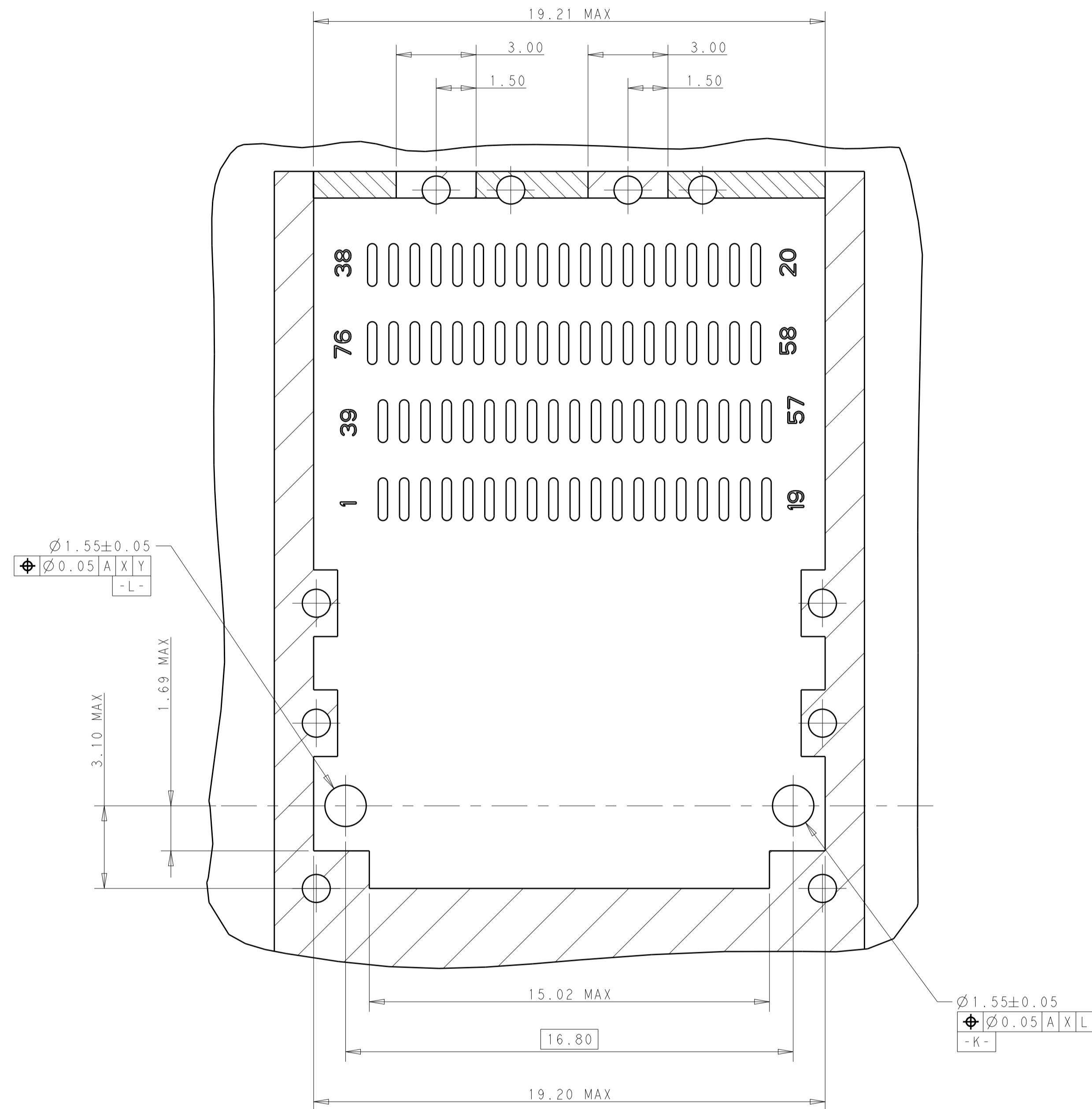
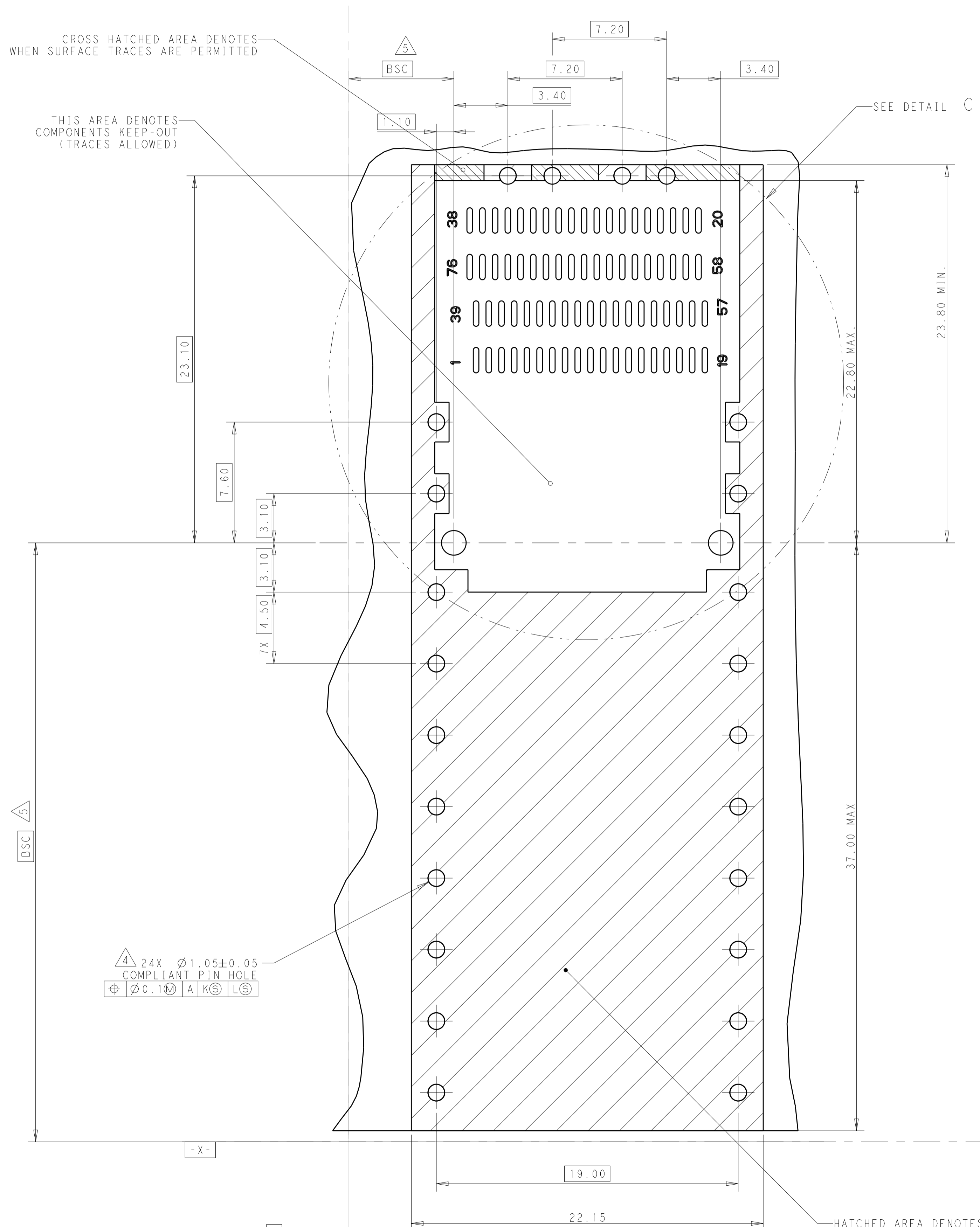


DETAIL D
SCALE 20:1

RECOMMENDED PCB LAYOUT
 SINGLE TYPE OF 2 REAR HOLES OF LEGS
 PCB TOLERANCE: ± 0.05
 SCALE 6:1

THIS DRAWING IS A CONTROLLED DOCUMENT.		DWN ARTHUR JLN 24FEB2018	TE Connectivity
DIMENSIONS:		CHK SEAN HAN 24FEB2018	
TOLERANCES UNLESS OTHERWISE SPECIFIED:		APVD SEAN HAN 24FEB2018	NAME CAGE ASSEMBLY, QSPF-DD STANDARD 1X1, WITH EMI SPRING FINGER
mm	0 PLC ± 0.25 1 PLC ± 0.25 2 PLC ± 0.25 3 PLC ± 0.25 4 PLC ± 0.25 ANGLES ± 0.10	PRODUCT SPEC 108-60122	SIZE A1
MATERIAL	FINISH	APPLICATION SPEC 114-60025	CAGE CODE 2324171
CUSTOMER DRAWING		WEIGHT	RESTRICTED TO
		SCALE 2:1	SHEET 4 OF 6
			REV A3

LOC		DIST		REVISIONS			
P	LTN	DESCRIPTION	DATE	OWN	APVD		
-	-	SEE SHEET 1	-	-	-		

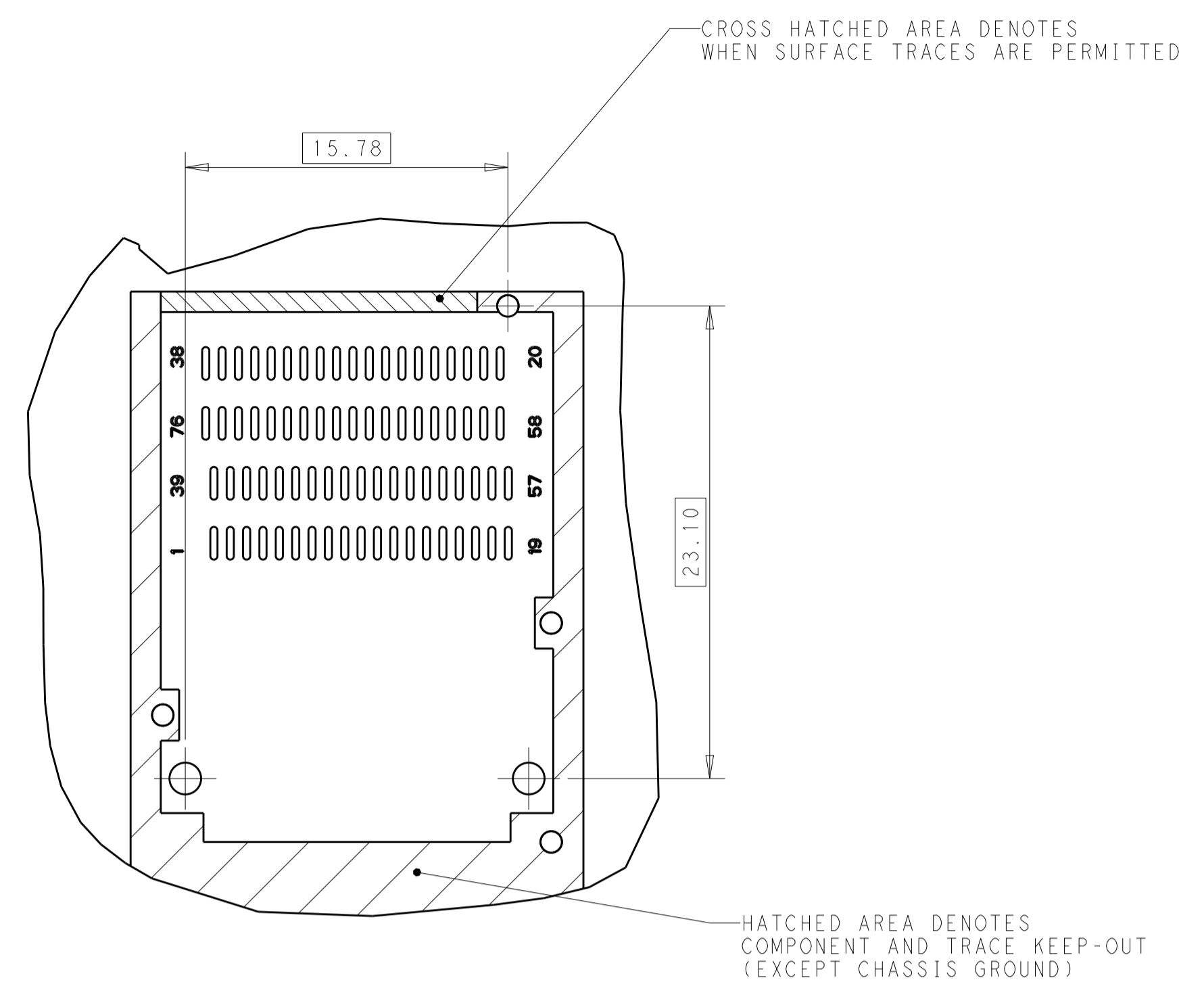


DETAIL C
 SCALE 8:1

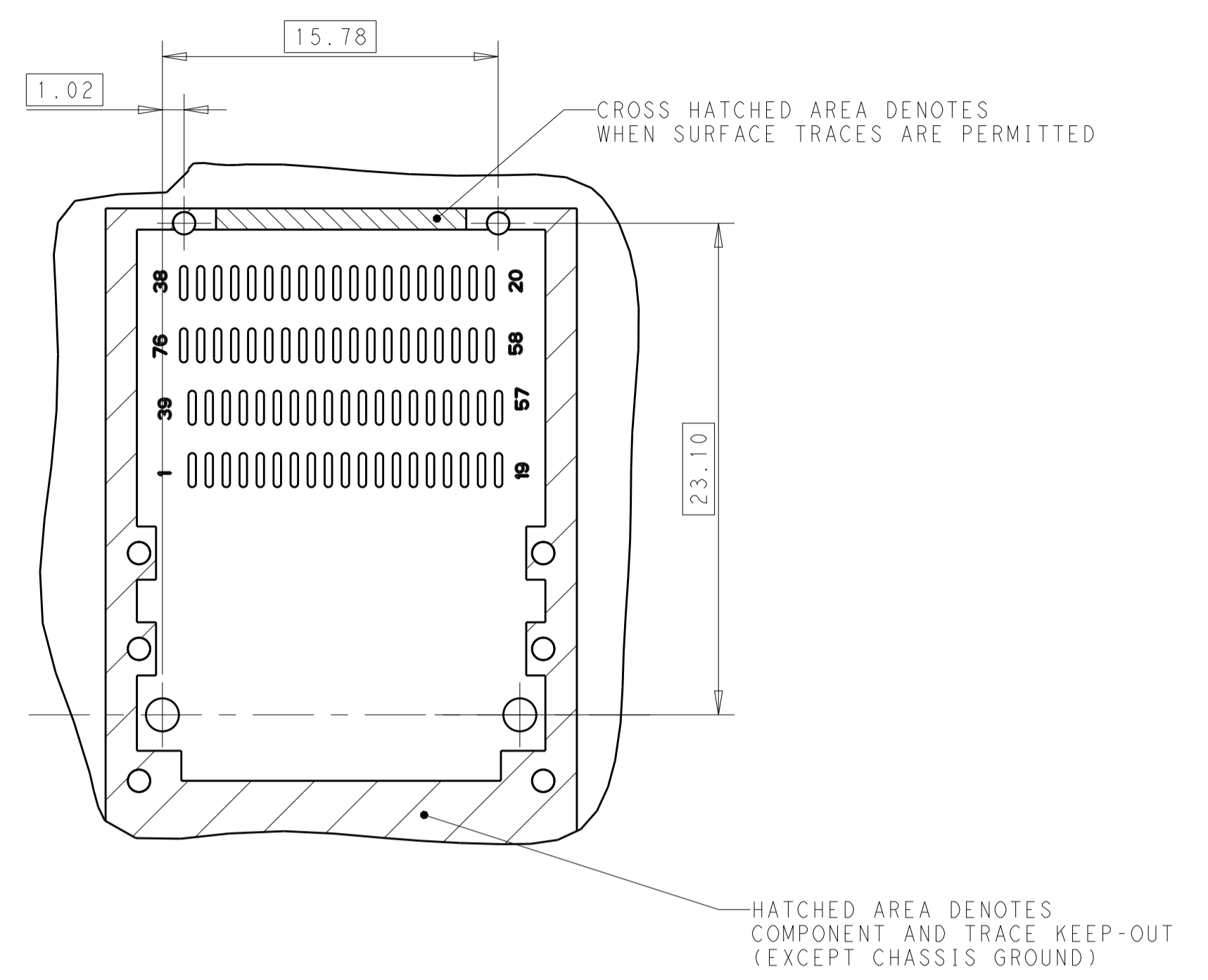
RECOMMENDED PCB LAYOUT
 BELLY TO BELLY TYPE OF 2 REAR HOLES OF LEGS
 PCB TOLERANCE: ±0.05
 SCALE 6:1

THIS DRAWING IS A CONTROLLED DOCUMENT.		OWN: ARTHUR JIN 24FEB2018	TE Connectivity
DIMENSIONS: mm		CHK: SEAN HAN 24FEB2018	
TOLERANCES UNLESS OTHERWISE SPECIFIED:		APVD: SEAN HAN 24FEB2018	NAME: CAGE ASSEMBLY, QSPF-DD STANDARD 1X1, WITH EMI SPRING FINGER
0 PLC ±0.25	1 PLC ±0.25	PRODUCT SPEC: 108-60122	SIZE: A1
2 PLC ±0.20	3 PLC ±0.20	APPLICATION SPEC: 114-60025	CAGE CODE: -
4 PLC ±0.10	ANGLES ±°	WEIGHT: -	DRAWING NO: C=2324171
MATERIAL: -	FINISH: -	CUSTOMER DRAWING	RESTRICTED TO: -
SCALE: 2:1			SHEET 5 OF 6
REV: A3			

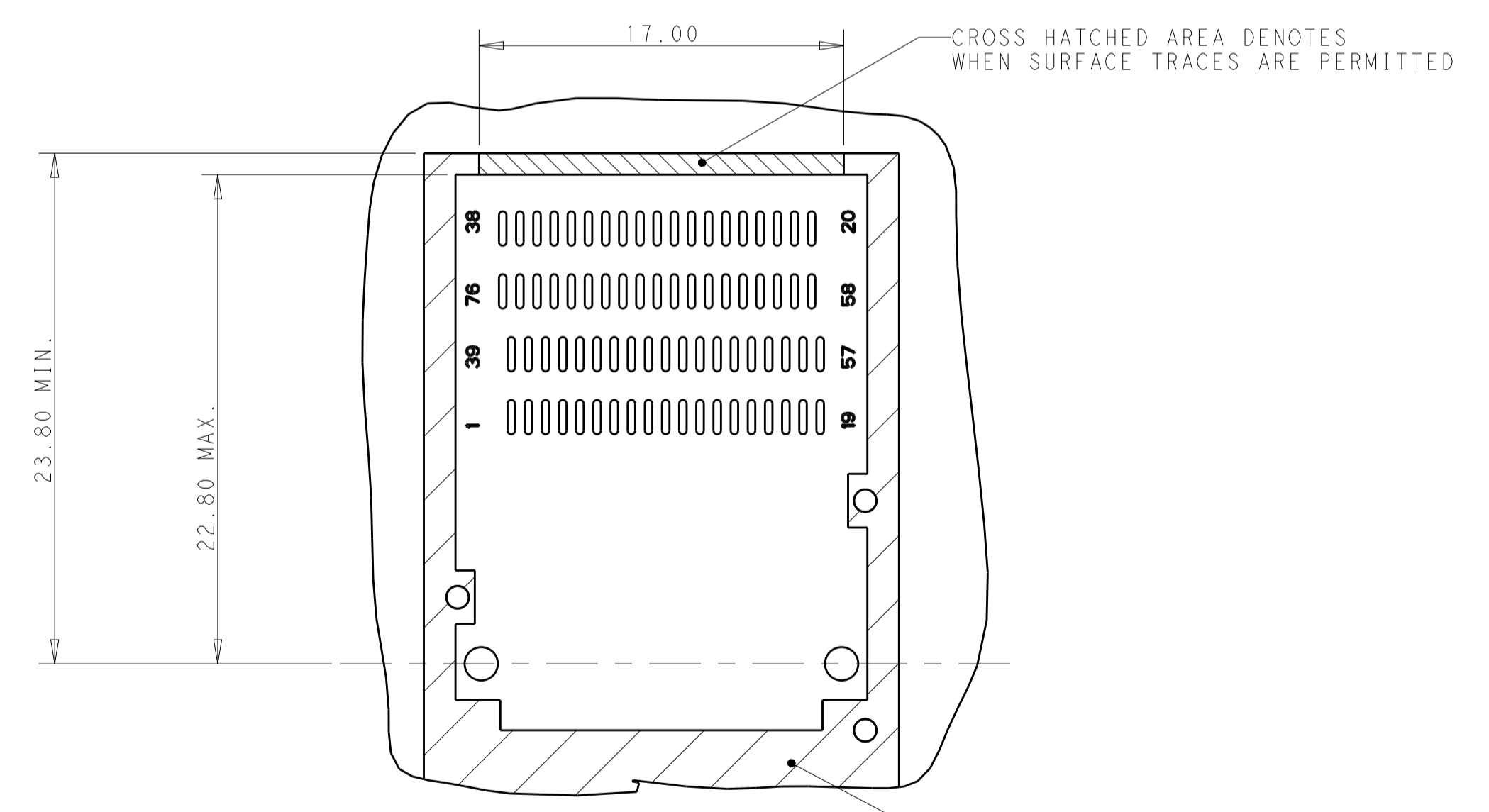
LOC		DIST		REVISIONS			
				REV	DATE	BY	APPV
-	-	-	-	1	SEE SHEET 1	-	-



RECOMMENDED PCB LAYOUT
 SINGLE TYPE OF 1 REAR HOLE
 PCB TOLERANCE: ± 0.05
 SCALE 4:1



RECOMMENDED PCB LAYOUT
 BELLY TO BELLY TYPE OF 1 REAR HOLE
 PCB TOLERANCE: ± 0.05
 SCALE 4:1



RECOMMENDED PCB LAYOUT
 SINGLE TYPE OF 0 REAR HOLES
 PCB TOLERANCE: ± 0.05
 SCALE 4:1

THIS DRAWING IS A CONTROLLED DOCUMENT.		OWN	ARTHUR JIN	24FEB2018		CAGE ASSEMBLY, QSPF-DD STANDARD 1X1, WITH EMI SPRING FINGER
DIMENSIONS:		CHK	SEAN HAN	24FEB2018		
mm		APVD	SEAN HAN	24FEB2018		
TOLERANCES UNLESS OTHERWISE SPECIFIED: 0 PLC ± 0.25 1 PLC ± 0.25 2 PLC ± 0.20 3 PLC ± 0.10 4 PLC \pm ANGLES \pm FINISH \pm		NAME	108-60122	PRODUCT SPEC		
		APPLICATION SPEC	114-60025	WEIGHT	SIZE	A1
MATERIAL		CUSTOMER DRAWING	SCALE	2:1	SHEET	6 OF 6
		REV	A3			

单击下面可查看定价，库存，交付和生命周期等信息

[>>TE Connectivity\(泰科\)](#)