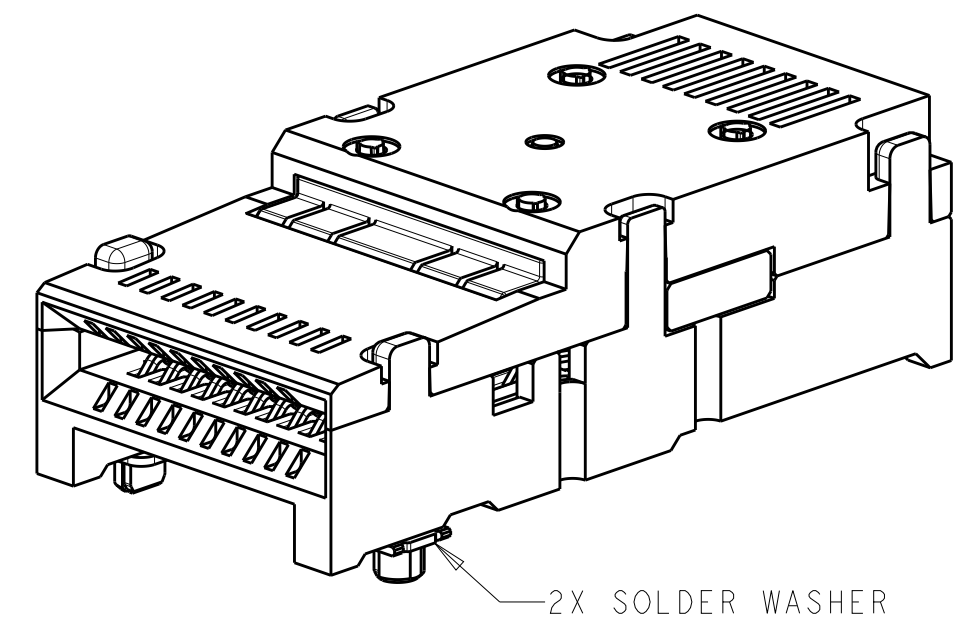
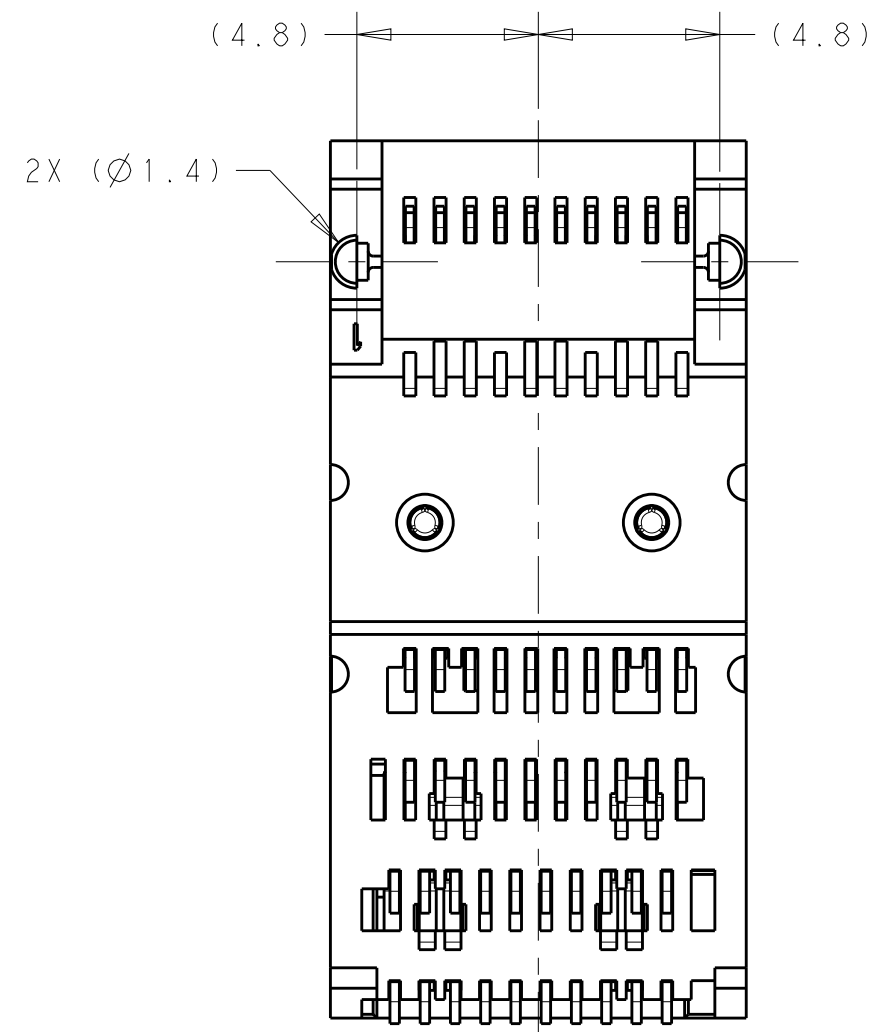
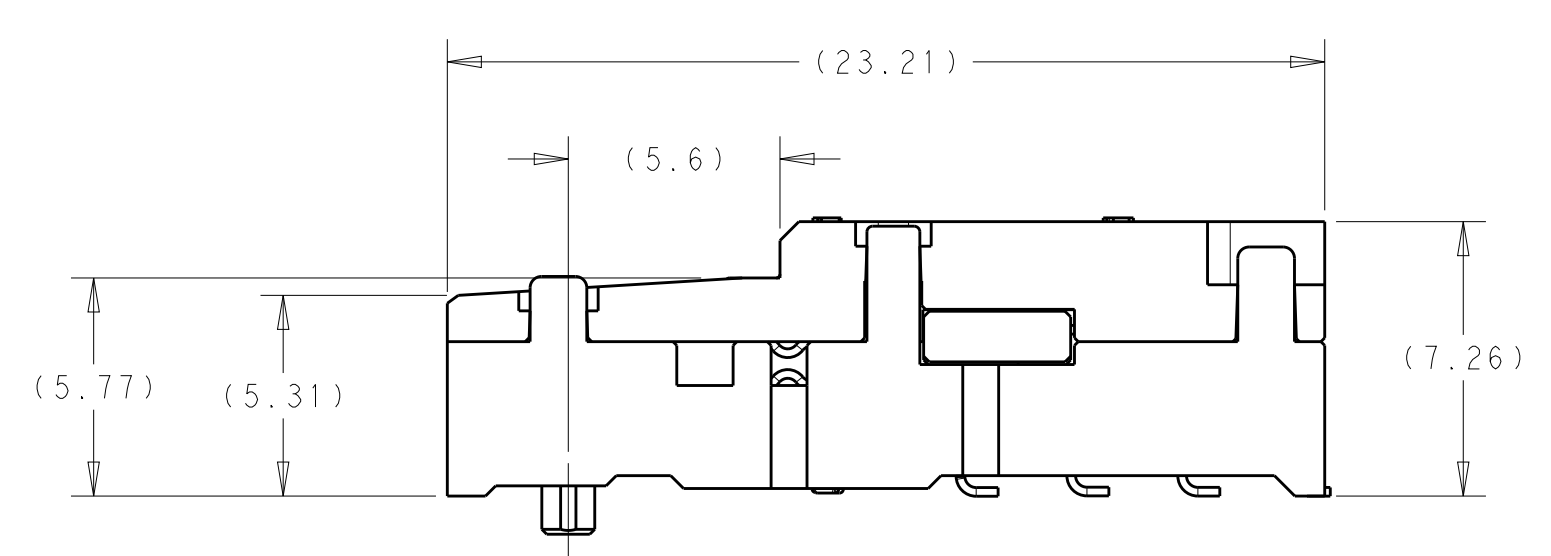
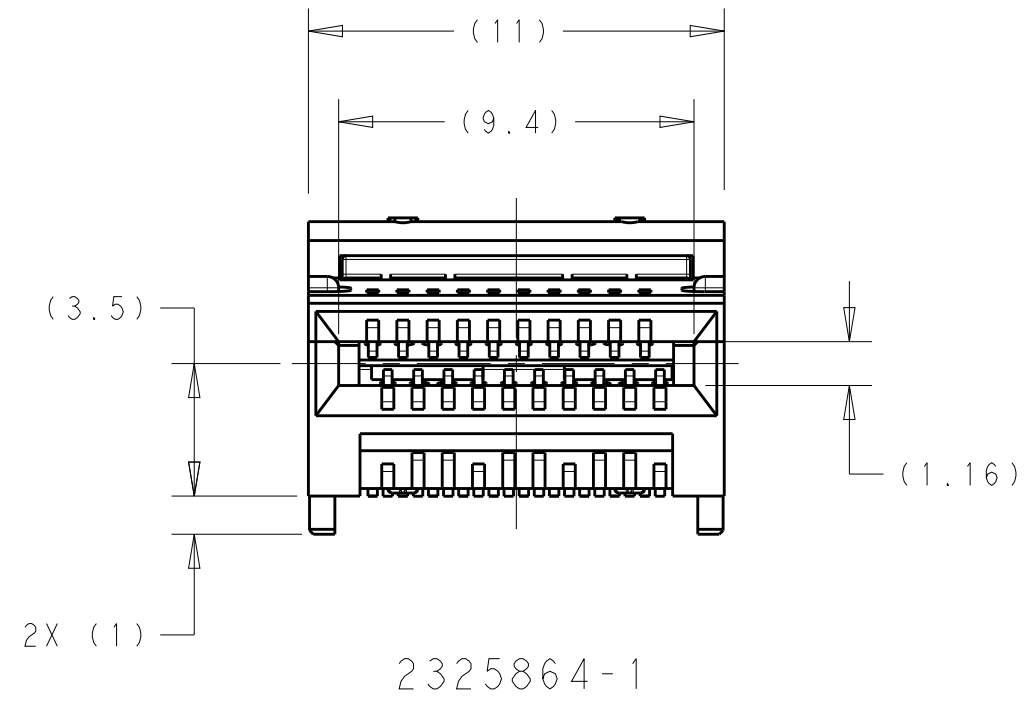
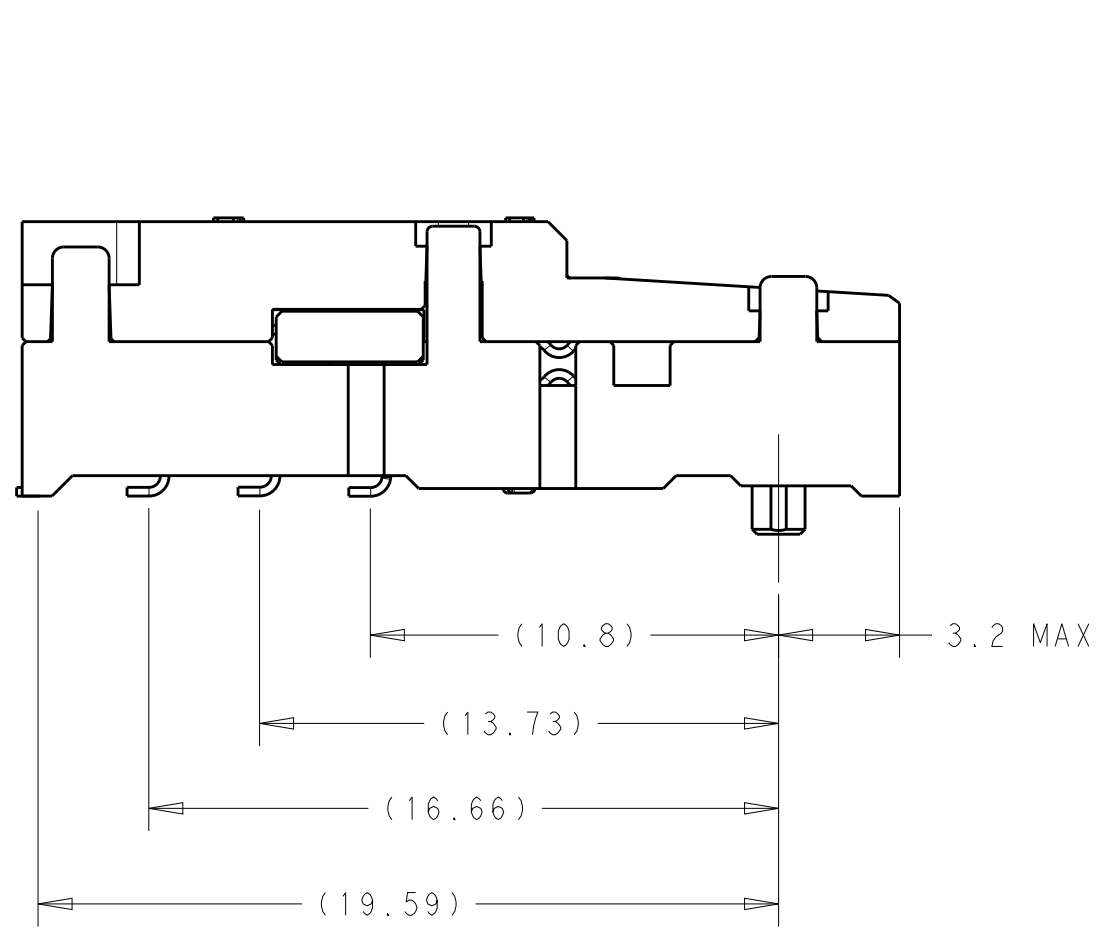


THIS DRAWING IS UNPUBLISHED. RELEASED FOR PUBLICATION 20  
 © COPYRIGHT 20 BY - ALL RIGHTS RESERVED.

REVISIONS				
P	LTR	DESCRIPTION	DATE	APVD
13		REWORDED PLATING NOTE	13DEC2019	CJV EDB
14		ADDED UL RATING TO NOTE 1	05MAR2020	CJV EDB
15		ADDED SPEC NUMBERS	31MAR2020	CJV EDB
17		ADDED REELING INFORMATION	16NOV2020	CJV EDB



2325864-2  
WITH SOLDER WASHERS

**PRELIMINARY  
NOT RELEASED FOR PRODUCTION**

- 1 HOUSINGS AND CONTACT OVERMOLDS: LCP, BLACK, UL94-V0.  
CONTACTS: COPPER ALLOY.  
SOLDER WASHERS: NICKEL SILVER.
- 2 0.76µm GOLD PLATING ON MATING INTERFACE. TIN  
PLATE ON SOLDER TAILS. ALL OVER NICKEL UNDERPLATE  
ON ENTIRE CONTACT.
- 3. MINIMUM PC BOARD THICKNESS:  
SINGLE SIDED: 1.57 MIN  
DOUBLE SIDED: 2.20 MIN
- 4 DATUM AND BASIC DIMENSION ESTABLISHED BY CUSTOMER.

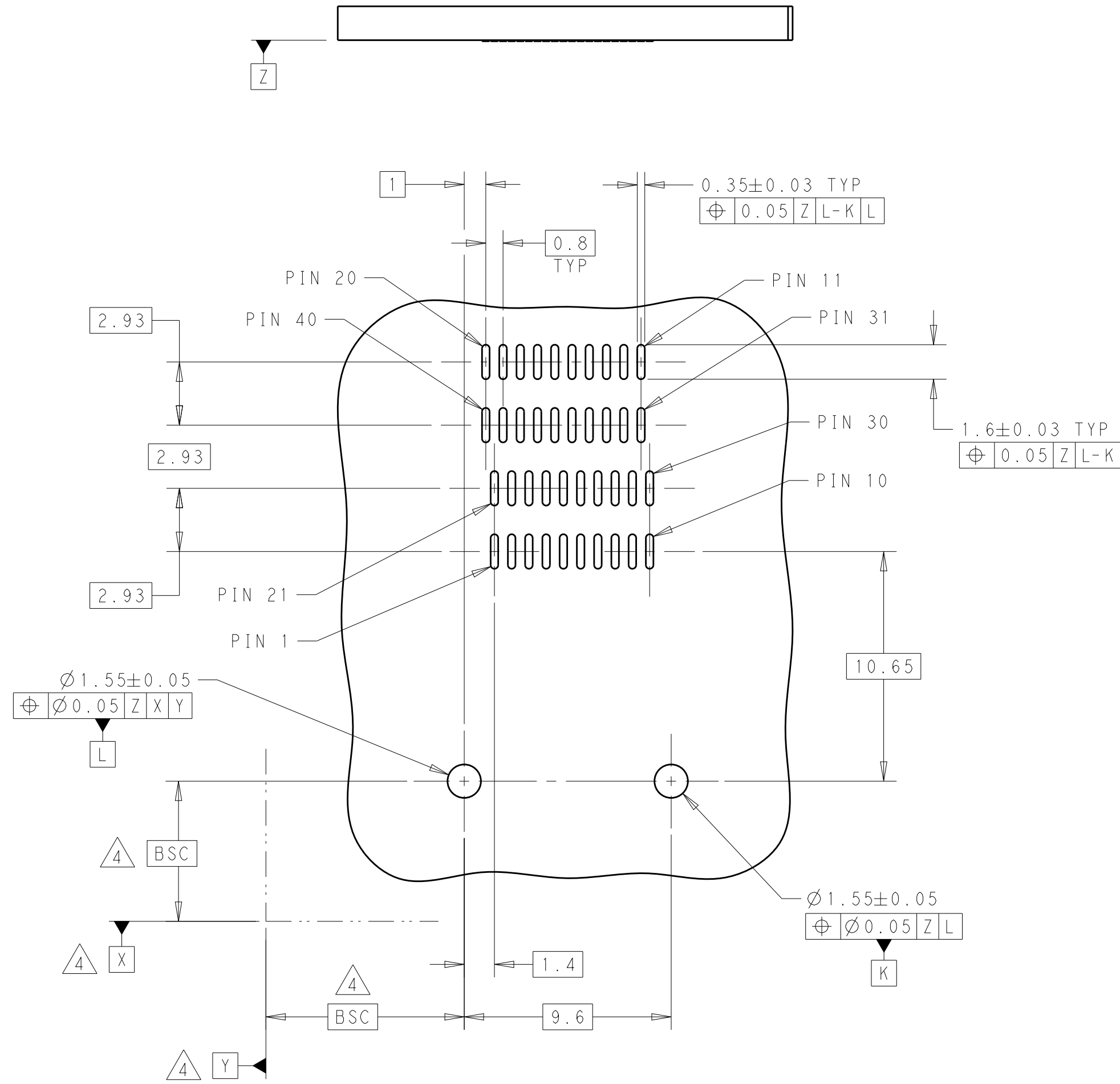
**THIS PRODUCT HAS NOT  
COMPLETED VALIDATION AND  
QUALIFICATION TESTING**

WITH SOLDER WASHERS	2325864-3
WITH SOLDER WASHERS	2325864-2
AS SHOWN	2325864-1
DESCRIPTION	PART NUMBER

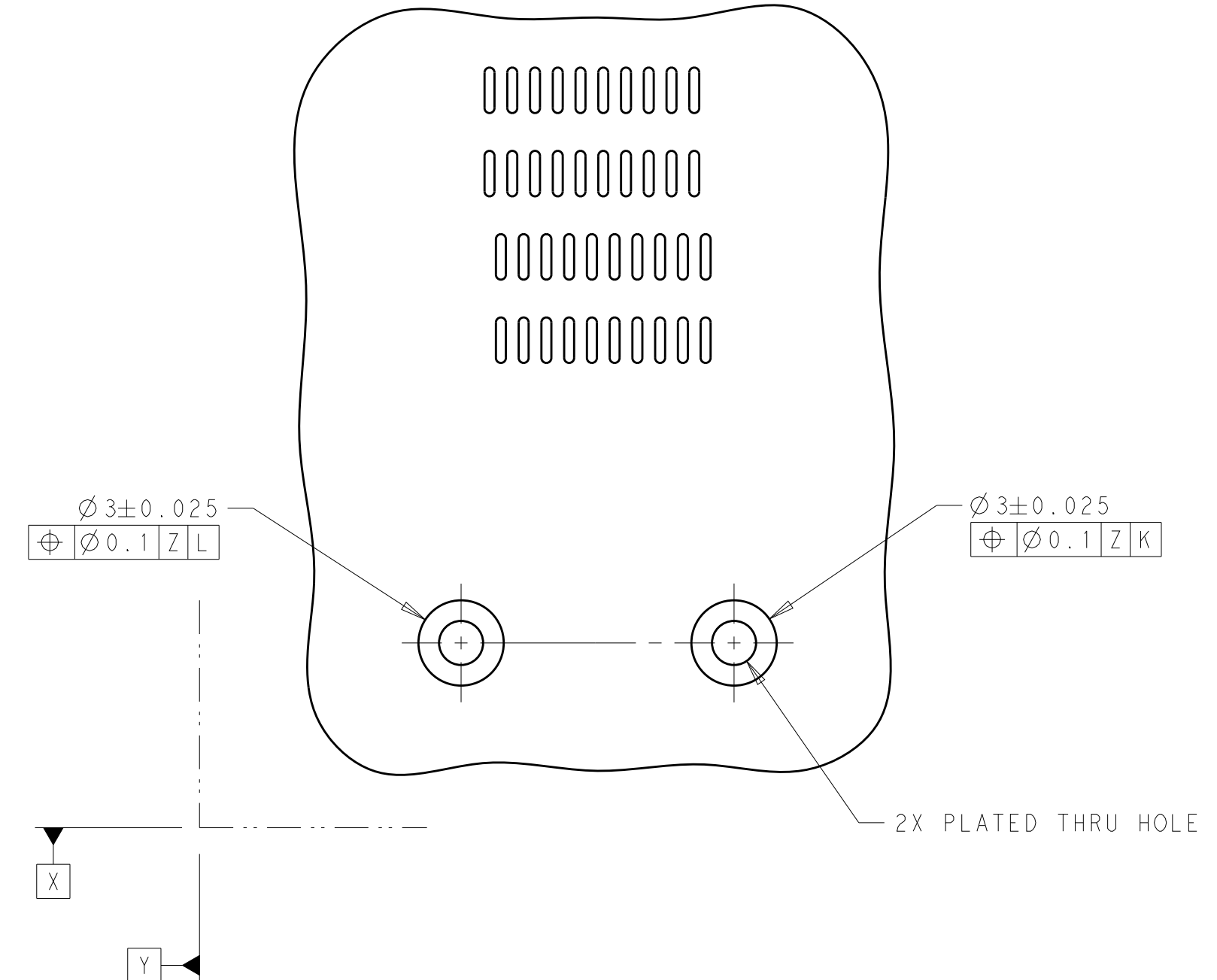
THIS DRAWING IS A CONTROLLED DOCUMENT.		DWN M. SHIRK 02AUG2018	TE Connectivity	
DIMENSIONS: mm		CHK E. BRIANT 02AUG2018	NAME RECEPTACLE CONNECTOR, 40 POSITION, SFP DD	
TOLERANCES UNLESS OTHERWISE SPECIFIED:		APVD -	SIZE A200779	
0 PLC ±		PRODUCT SPEC 108-130026	DRAWING NO C-2325864	
1 PLC ±		APPLICATION SPEC 114-130012	RESTRICTED TO -	
2 PLC ±		WEIGHT -	SCALE 5:1	
3 PLC ±		CUSTOMER DRAWING	SHEET 1 OF 3	
4 PLC ±			REV 17	
ANGLES ±				
FINISH				

THIS DRAWING IS UNPUBLISHED. RELEASED FOR PUBLICATION 20  
 © COPYRIGHT 20 BY - ALL RIGHTS RESERVED.

REVISIONS				
P	LTR	DESCRIPTION	DATE	APVD
-	-	SEE SHEET 1	-	-



2325864-1  
RECOMMENDED PCB LAYOUT



2325864-2  
RECOMMENDED PCB LAYOUT  
SAME AS 2325864-1 EXCEPT AS NOTED

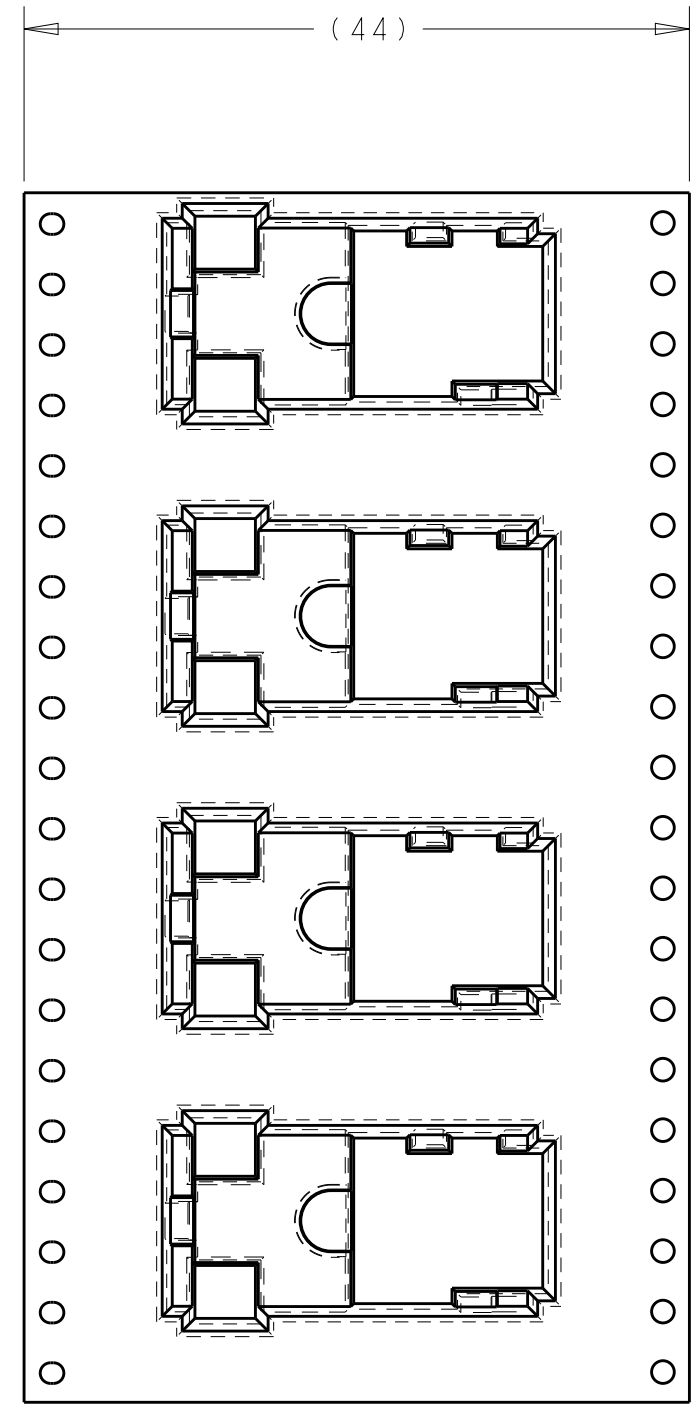
**PRELIMINARY  
NOT RELEASED FOR PRODUCTION**

**THIS PRODUCT HAS NOT  
COMPLETED VALIDATION AND  
QUALIFICATION TESTING**

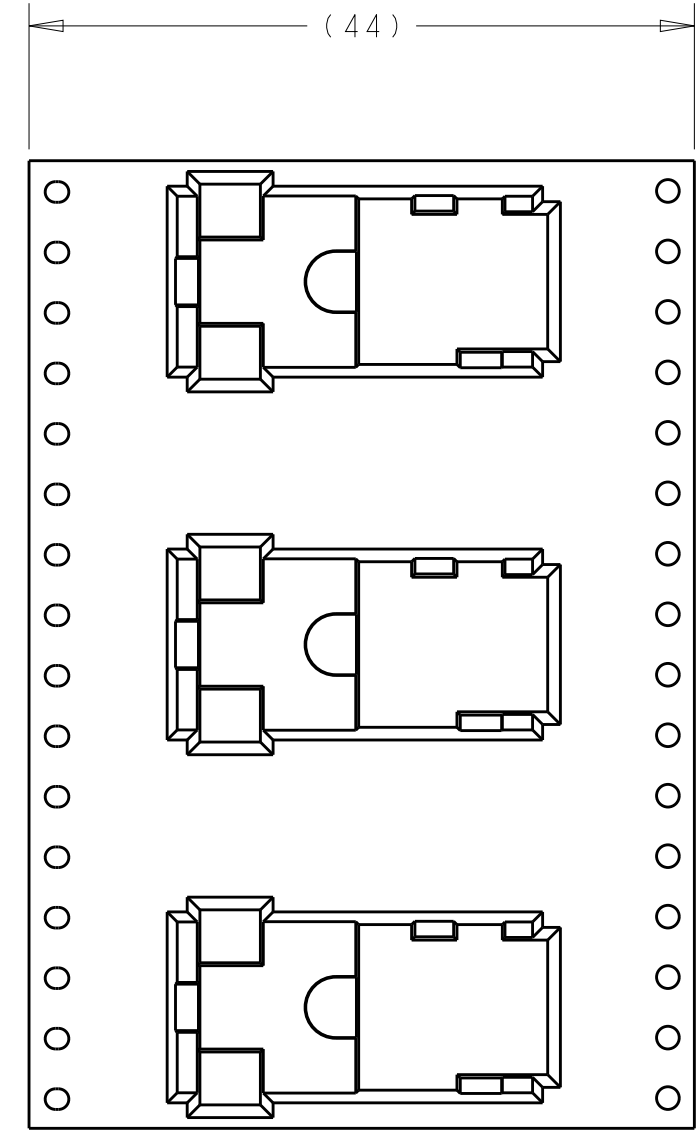
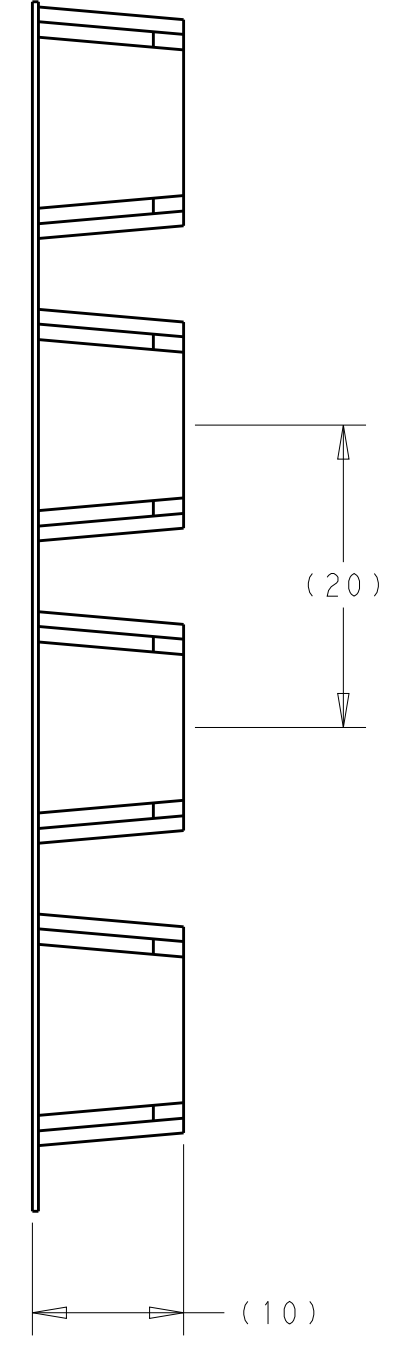
THIS DRAWING IS A CONTROLLED DOCUMENT.		DWN M. SHIRK 02AUG2018	TE Connectivity	
		CHK E. BRIANT 02AUG2018		
DIMENSIONS: mm		APVD -	NAME RECEPTACLE CONNECTOR, 40 POSITION, SFP DD	
TOLERANCES UNLESS OTHERWISE SPECIFIED: 0 PLC ±- 1 PLC ±- 2 PLC ±- 3 PLC ±- 4 PLC ±- ANGLES ±- FINISH		PRODUCT SPEC 108-130026	RESTRICTED TO -	
MATERIAL		APPLICATION SPEC 114-130012	SIZE A200779	DRAWING NO C-2325864
		WEIGHT -	SCALE 5:1	SHEET 2 OF 3
		CUSTOMER DRAWING	REV 17	

THIS DRAWING IS UNPUBLISHED. RELEASED FOR PUBLICATION 20  
 © COPYRIGHT 20 BY - ALL RIGHTS RESERVED.

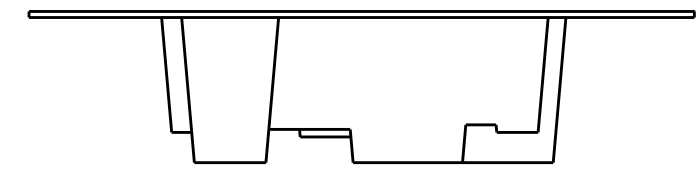
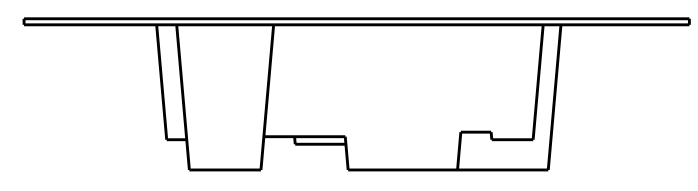
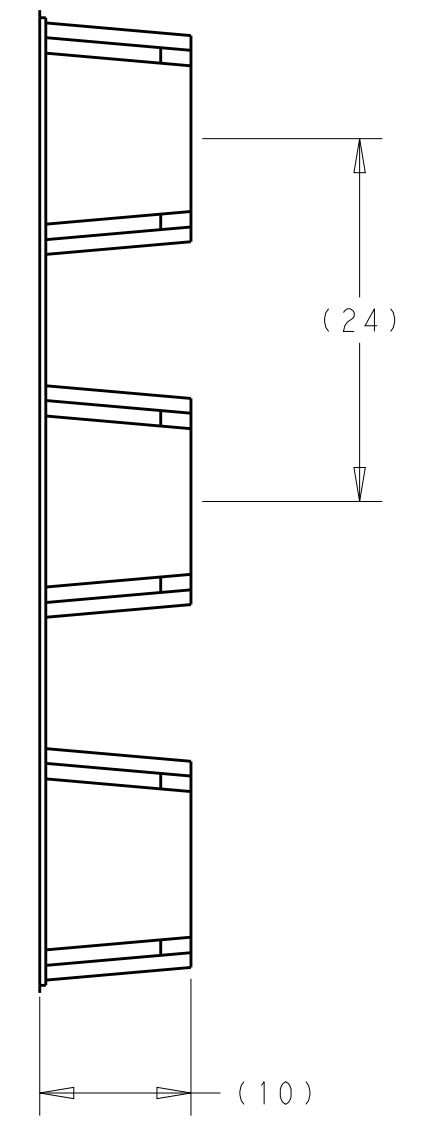
REVISIONS				
P	LTR	DESCRIPTION	DATE	APVD
-	-	SEE SHEET 1	-	-



PACKAGING TAPE  
 FOR 2325864-1 AND 2325864-2  
 SCALE 2:1



PACKAGING TAPE  
 FOR 2325864-3  
 350 PCS/REEL  
 15 EMPTY POCKETS (360mm)  
 ON BOTH ENDS OF THE TAPE  
 SCALE 2:1



**THIS PRODUCT HAS NOT COMPLETED VALIDATION AND QUALIFICATION TESTING**

**PRELIMINARY NOT RELEASED FOR PRODUCTION**

THIS DRAWING IS A CONTROLLED DOCUMENT.		DWN M. SHIRK 02AUG2018	<b>STE</b> TE Connectivity	
		CHK E. BRIANT 02AUG2018		
DIMENSIONS: mm		APVD -	NAME RECEPTACLE CONNECTOR, 40 POSITION, SFP DD	
TOLERANCES UNLESS OTHERWISE SPECIFIED: 0 PLC ± 1 PLC ± 2 PLC ± 3 PLC ± 4 PLC ± ANGLES ± FINISH		PRODUCT SPEC 108-130026	RESTRICTED TO	
MATERIAL		APPLICATION SPEC 114-130012	SIZE A200779	CAGE CODE C-2325864
		WEIGHT -	DRAWING NO -	
		CUSTOMER DRAWING	SCALE 5:1	SHEET 3 OF 3
			REV 17	

单击下面可查看定价，库存，交付和生命周期等信息

[>>TE Connectivity\(泰科\)](#)