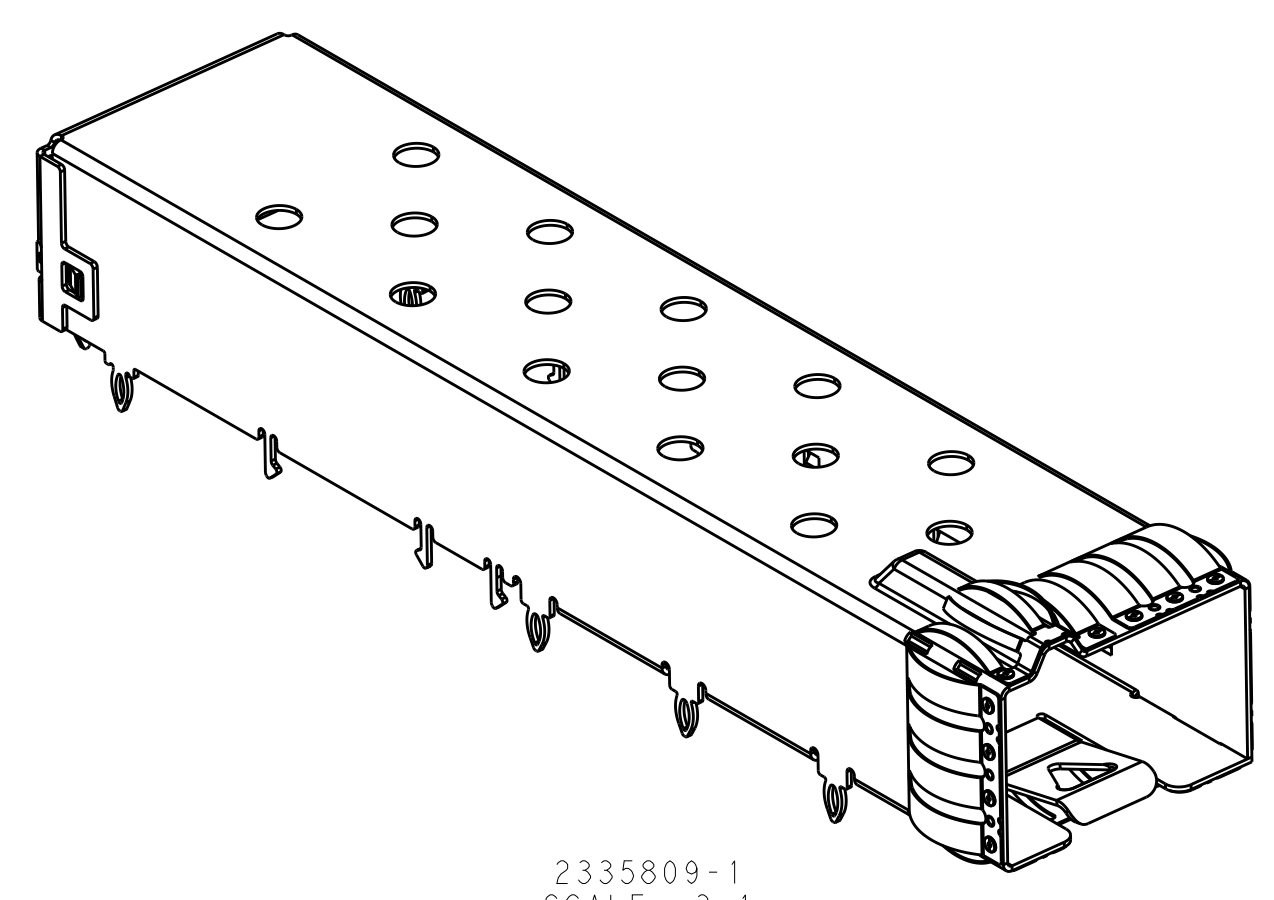
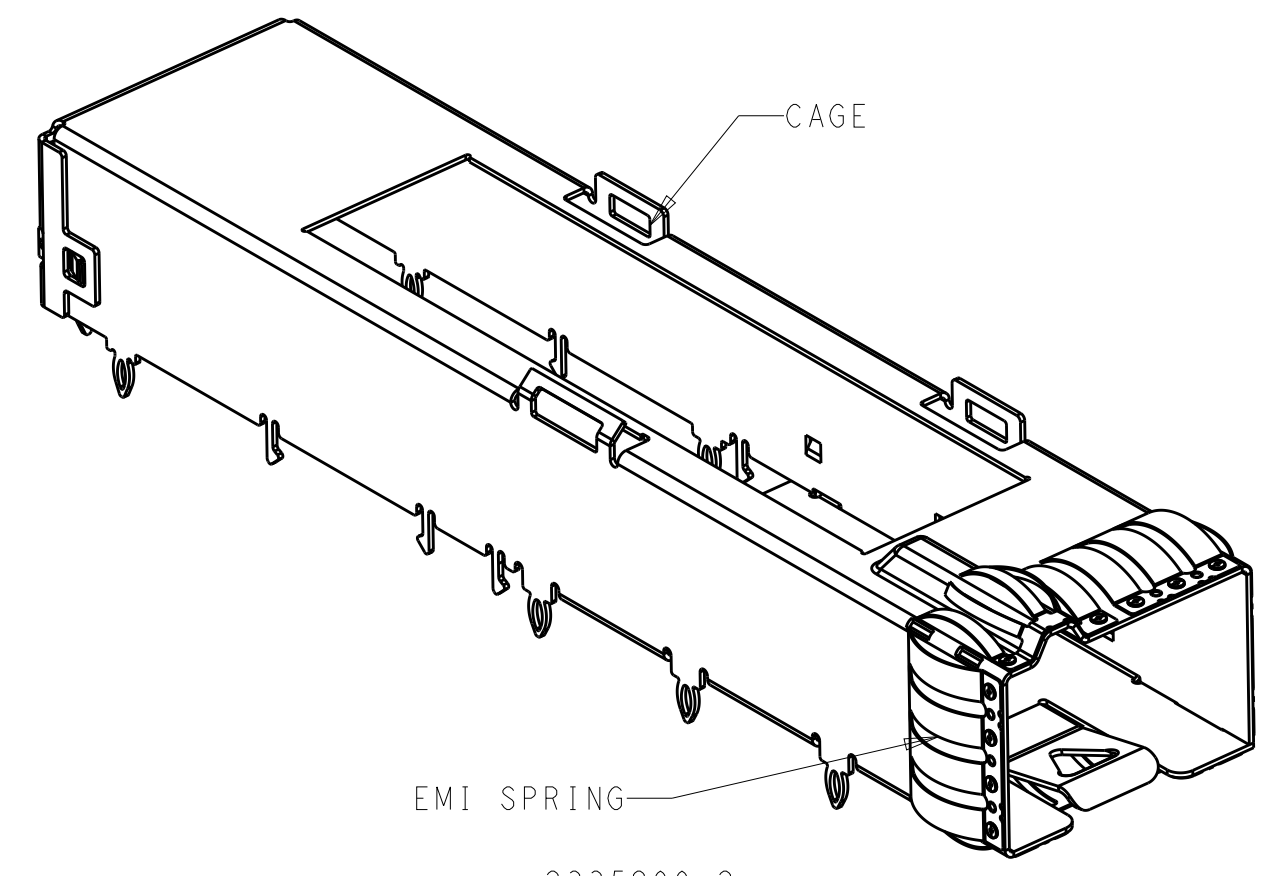


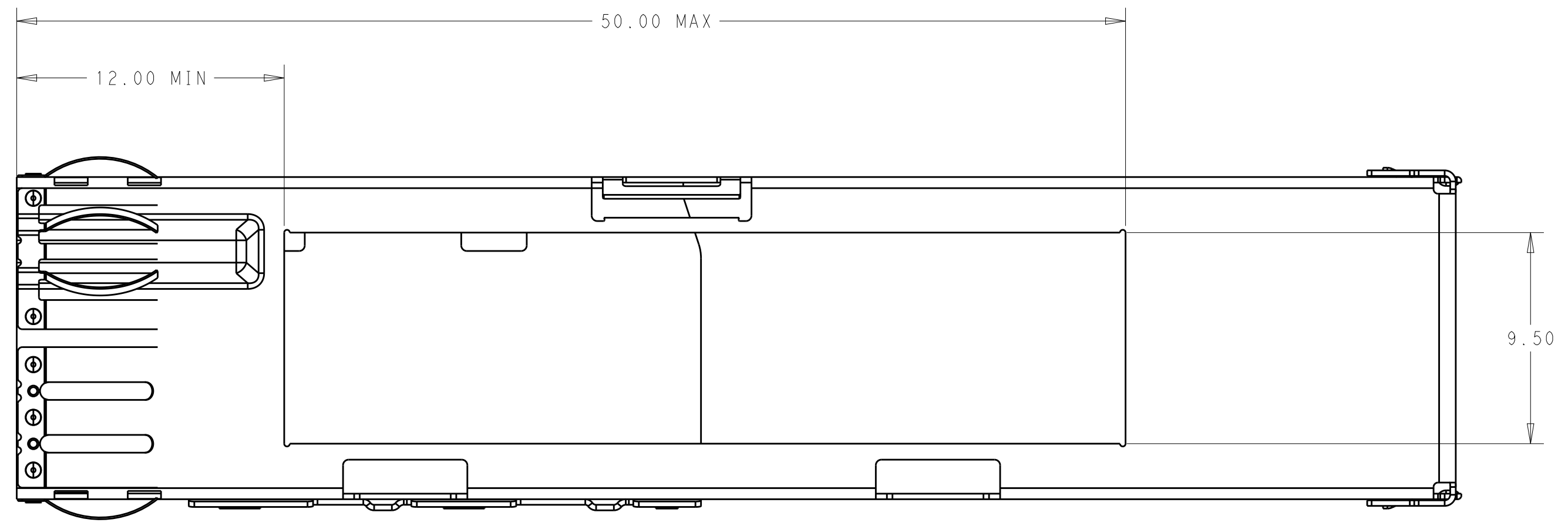
REVISIONS				
P.	LTN.	DESCRIPTION	DATE	APVD.
A		INITIAL RELEASE	15JUN2020	AJ SH



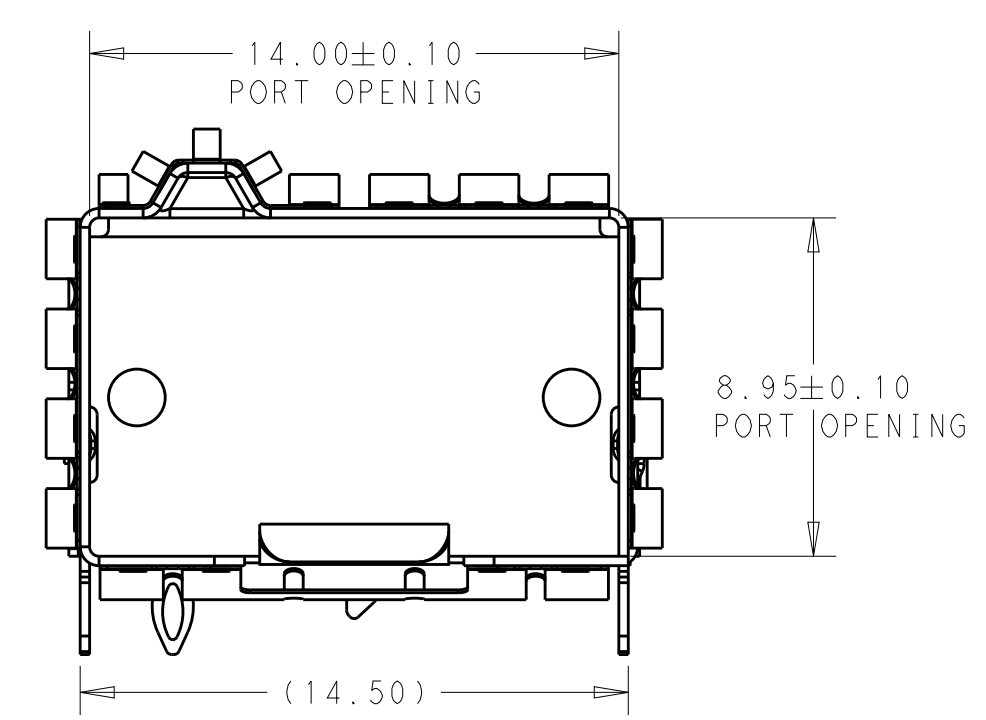
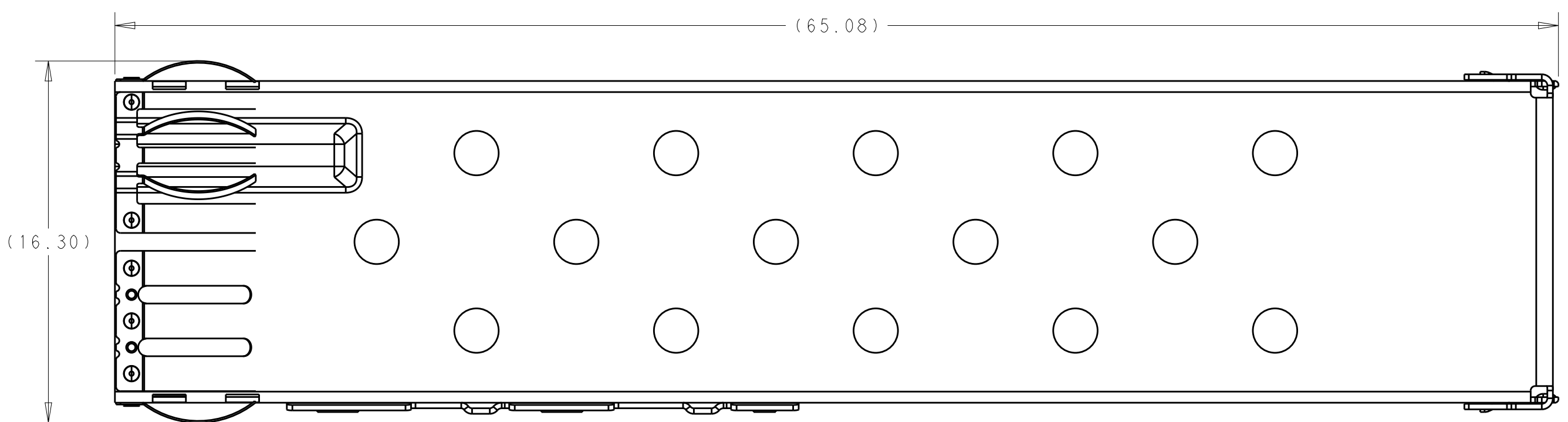
2335809-1
SCALE 3:1



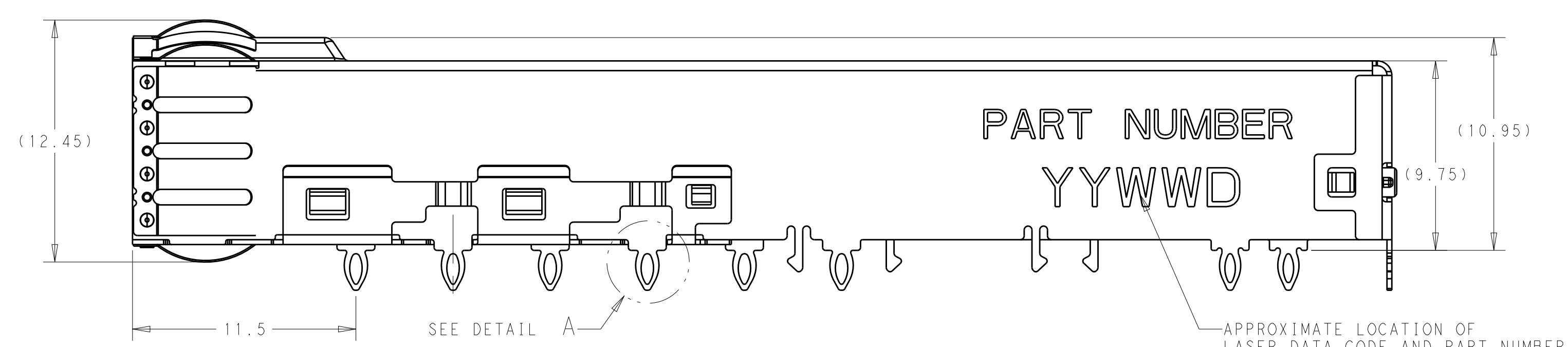
2335809-2
SCALE 3:1



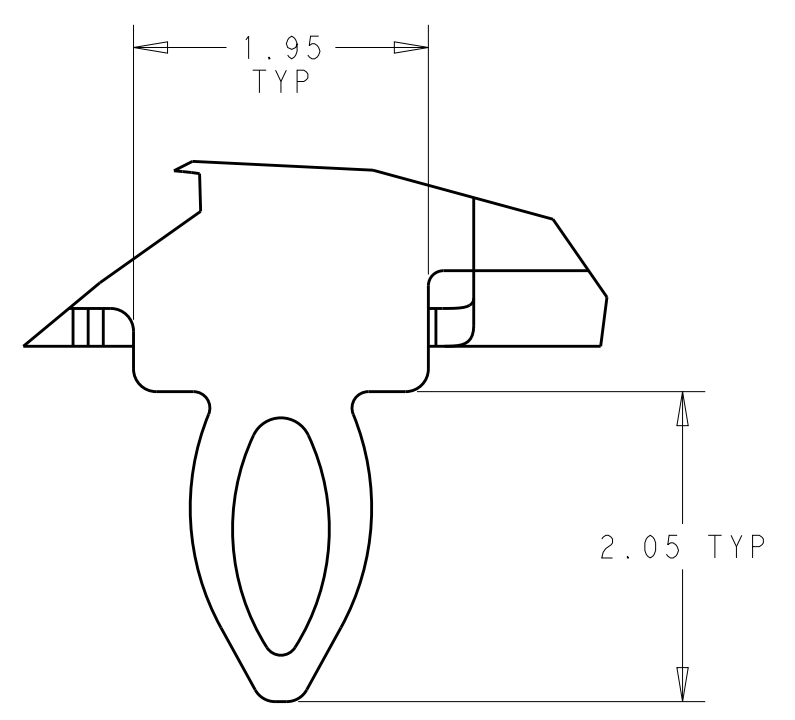
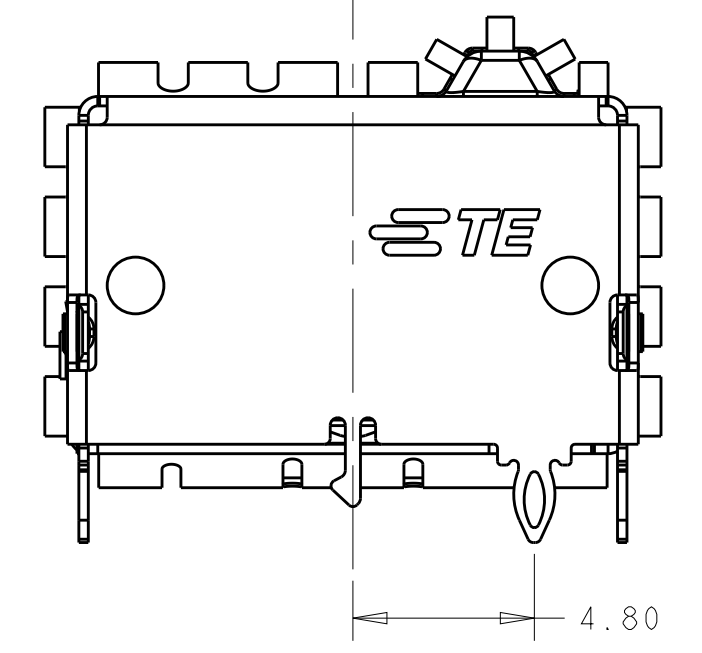
2335809-2 SCALE 5:1
SAME AS 2335809-1 EXCEPT AS SHOWN
TOP VIEW



SCALE 5:1



2335809-1 AS SHOWN
SCALE 5:1



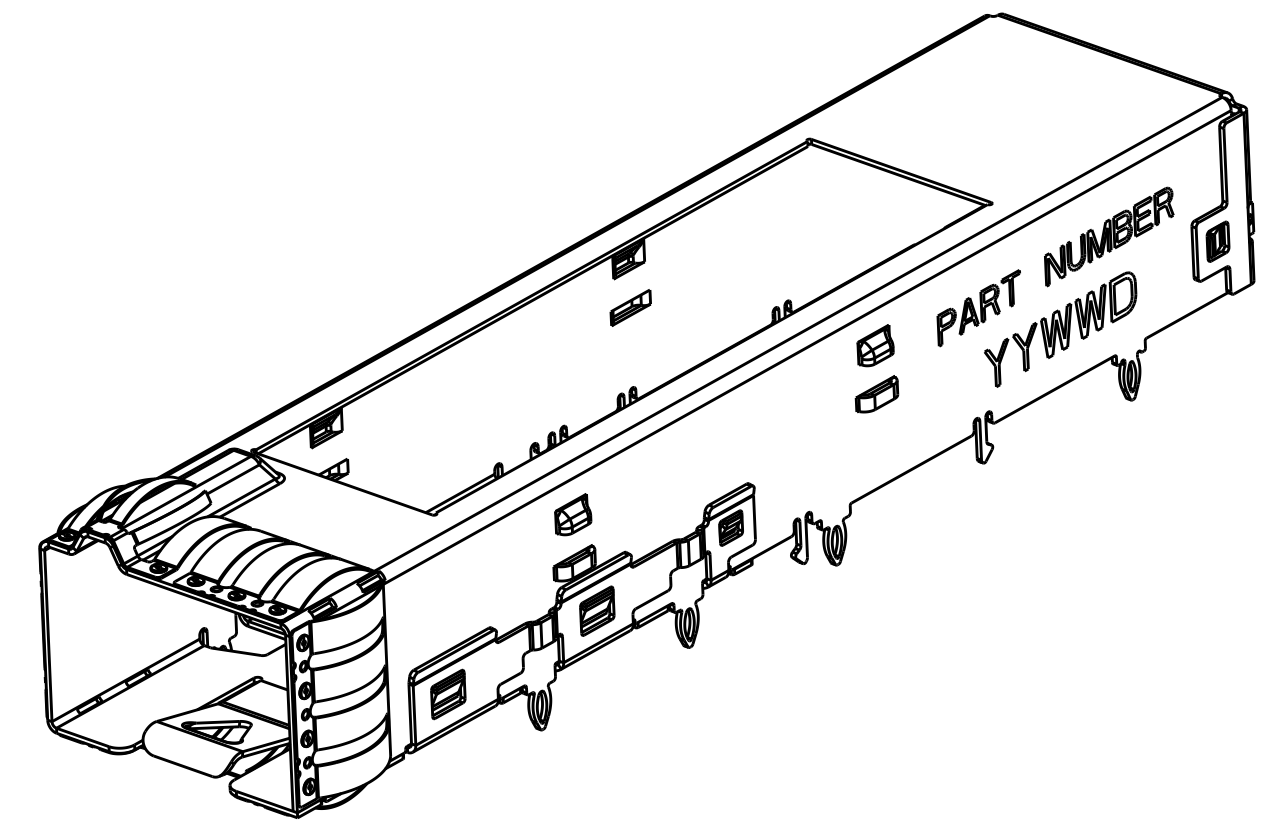
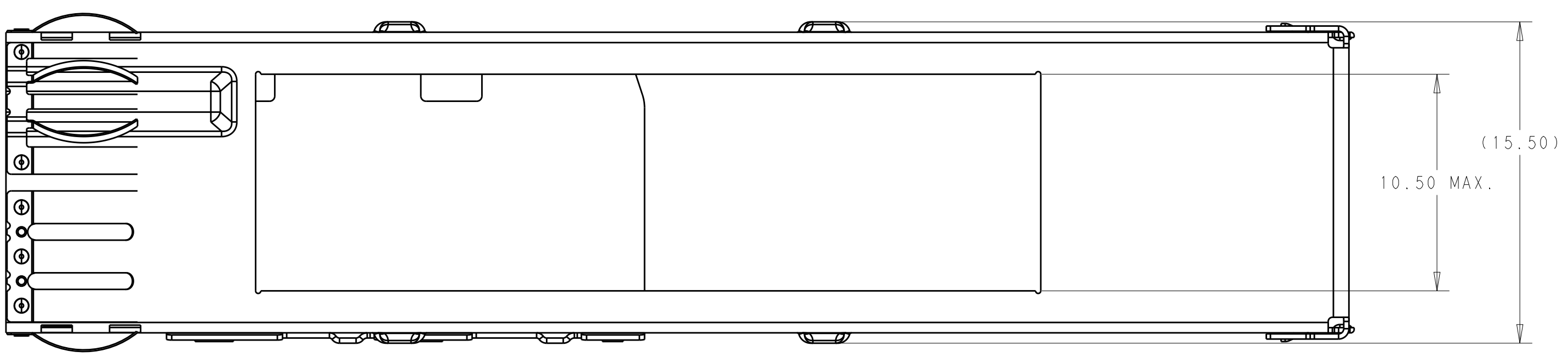
DETAIL A
SCALE 20:1

- 1 MATERIAL:
CAGE ASSEMBLY - 0.25mm THICK STAINLESS STEEL.
EMI SPRINGS - COPPER ALLOY.
- 2 FINISH
EMI SPRINGS - NICKEL PLATING, NON-PLATED EDGES PERMISSIBLE.
3. MATES WITH SFP-DD MSA COMPLIANT TRANSCEIVERS.
- 4 DATUM AND BASIC DIMENSION ESTABLISHED BY CUSTOMER.
5. MINIMUM PC BOARD THICKNESS:
SINGLE SIDED = 1.57 mm
DOUBLE SIDED = 2.20 mm
- 6 REFERENCE APPLICATION SPEC. 114-60027, HOLE A, FOR
RECOMMENDED DRILL HOLE DIAMETER AND PLATING THICKNESS.
- 7 REFERENCE APPLICATION SPEC. 114-60027, HOLE B, FOR
RECOMMENDED DRILL HOLE DIAMETER AND PLATING THICKNESS.
8. DATUM -A- IS TOP SURFACE OF THE HOST BOARD.

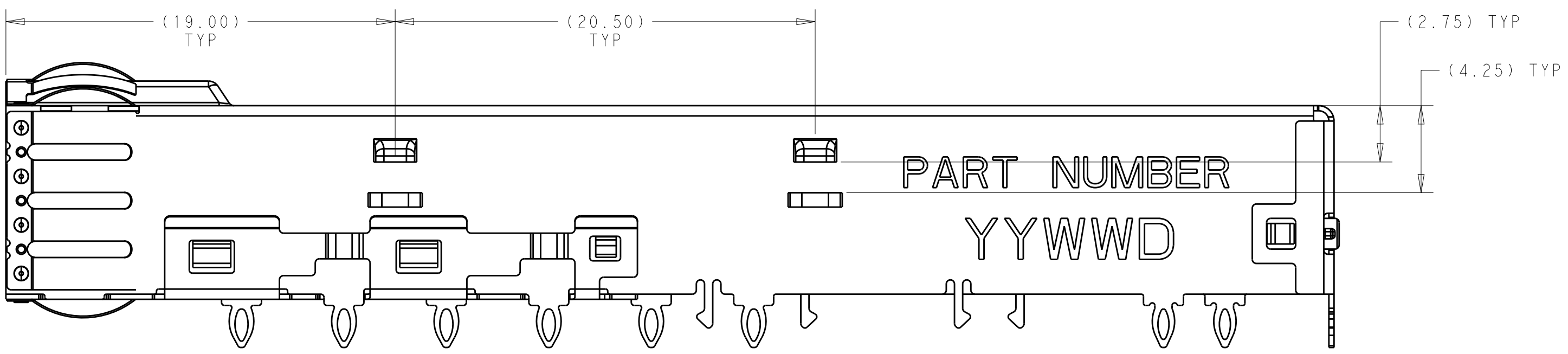
THIS DRAWING IS A CONTROLLED DOCUMENT.		DWN: VINDY LIU 08OCT2018	CUST TOP OPENING+SIDE PUNCH		2	2335809-4
DIMENSIONS:		CHK: SEAN HAN 08OCT2018	STANDARD TOP OPENING		2	2335809-2
TOLERANCES UNLESS OTHERWISE SPECIFIED:		APVD:	CLOSED TOP		2	2335809-1
0 PLC ±		NAME	REMARK		# REAR PINS	PART NUMBER
1 PLC ±0.25		PRODUCT SPEC	CAGE ASSEMBLY, 1X1			
2 PLC ±0.20		108-60128	SFP-DD, STANDARD			
3 PLC ±0.10		APPLICATION SPEC	-			
4 PLC ±		114-60027	SIZE		CAGE CODE	DRAWING NO
ANGLES ±		WEIGHT	A100779		C=2335809	RESTRICTED TO
FINISH		CUSTOMER DRAWING	SCALE		2:1	SHEET 1 OF 5 REV A

REVISIONS				
P.	LTN.	DESCRIPTION	DATE	APVD.
-	-	SEE SHEET 1	-	-

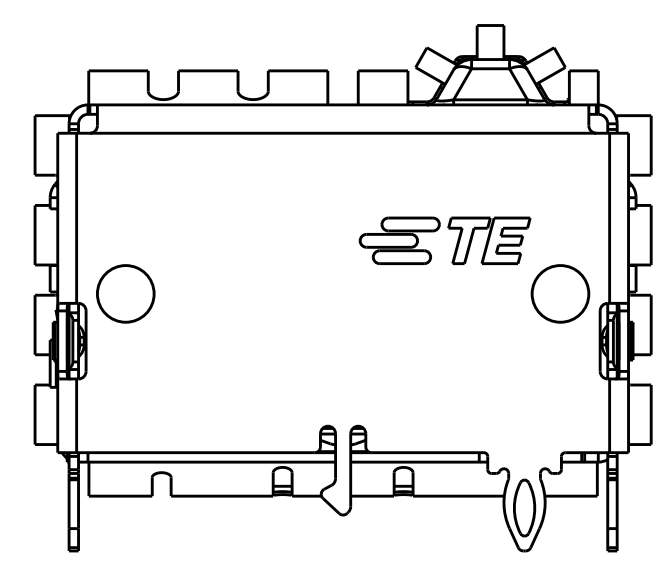
2335809-4 AS SHOWN:
 SAME AS -2 EXCEPT BELOW SPECIFIC DIMENSIONS



2335809-4 AS SHOWN
 SCALE 3:1

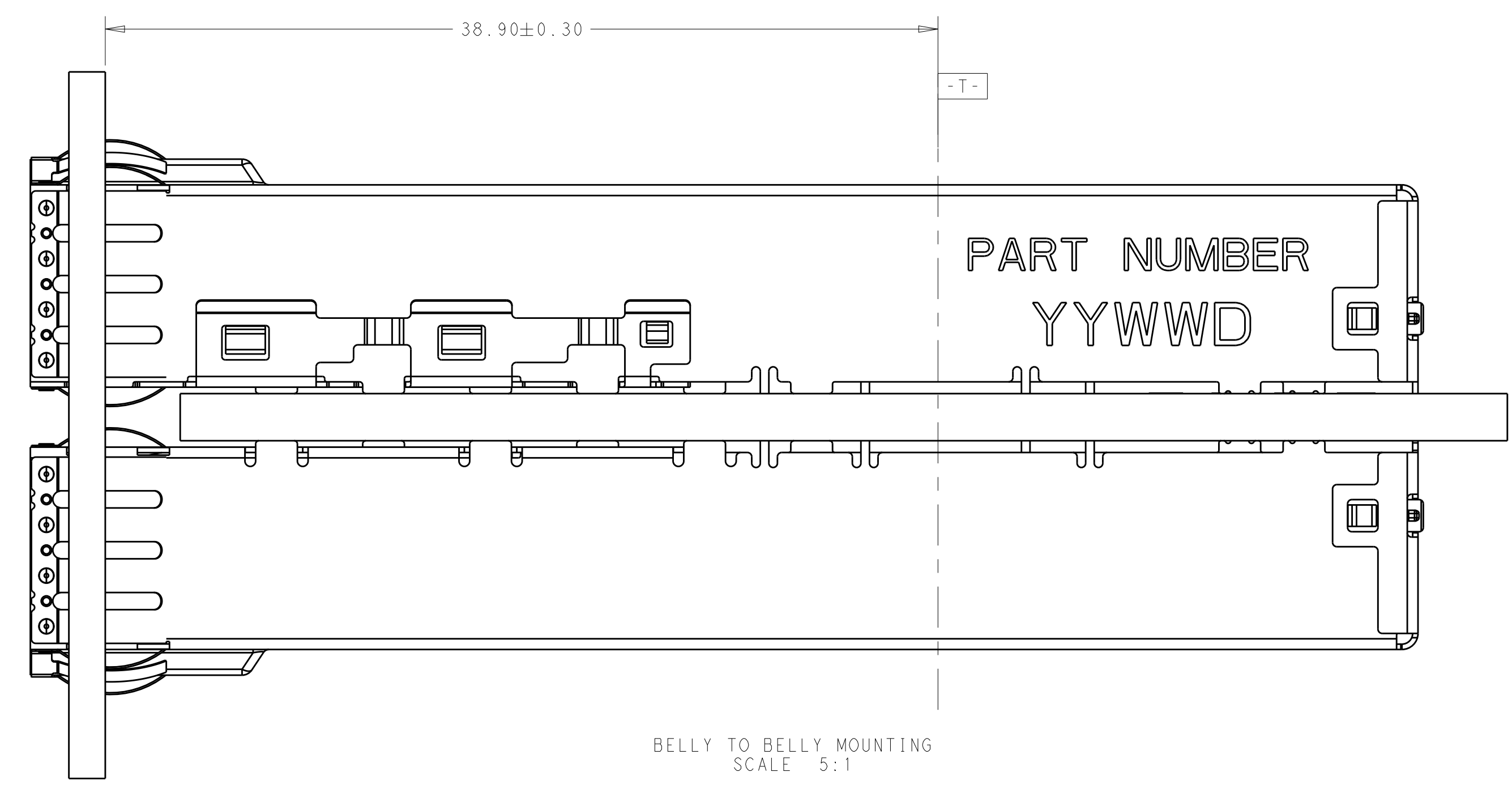
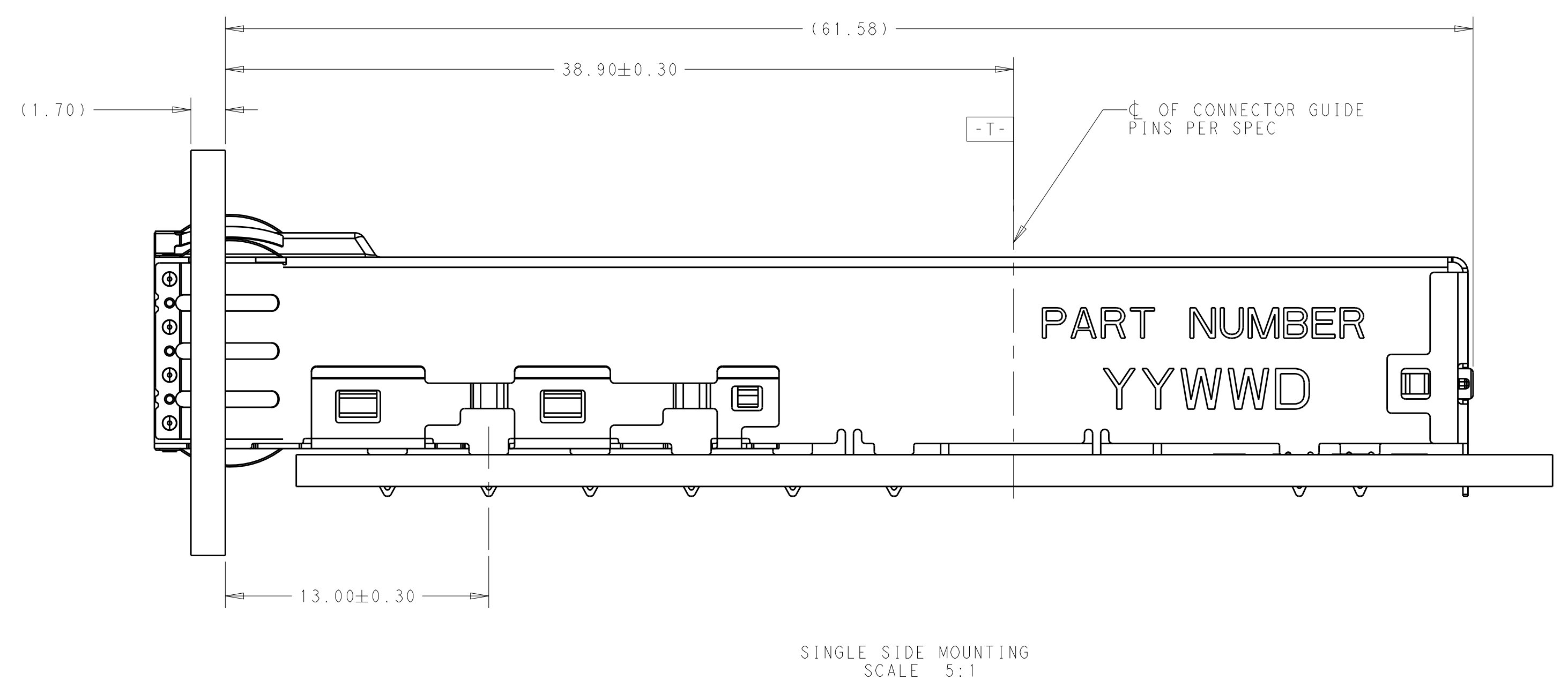
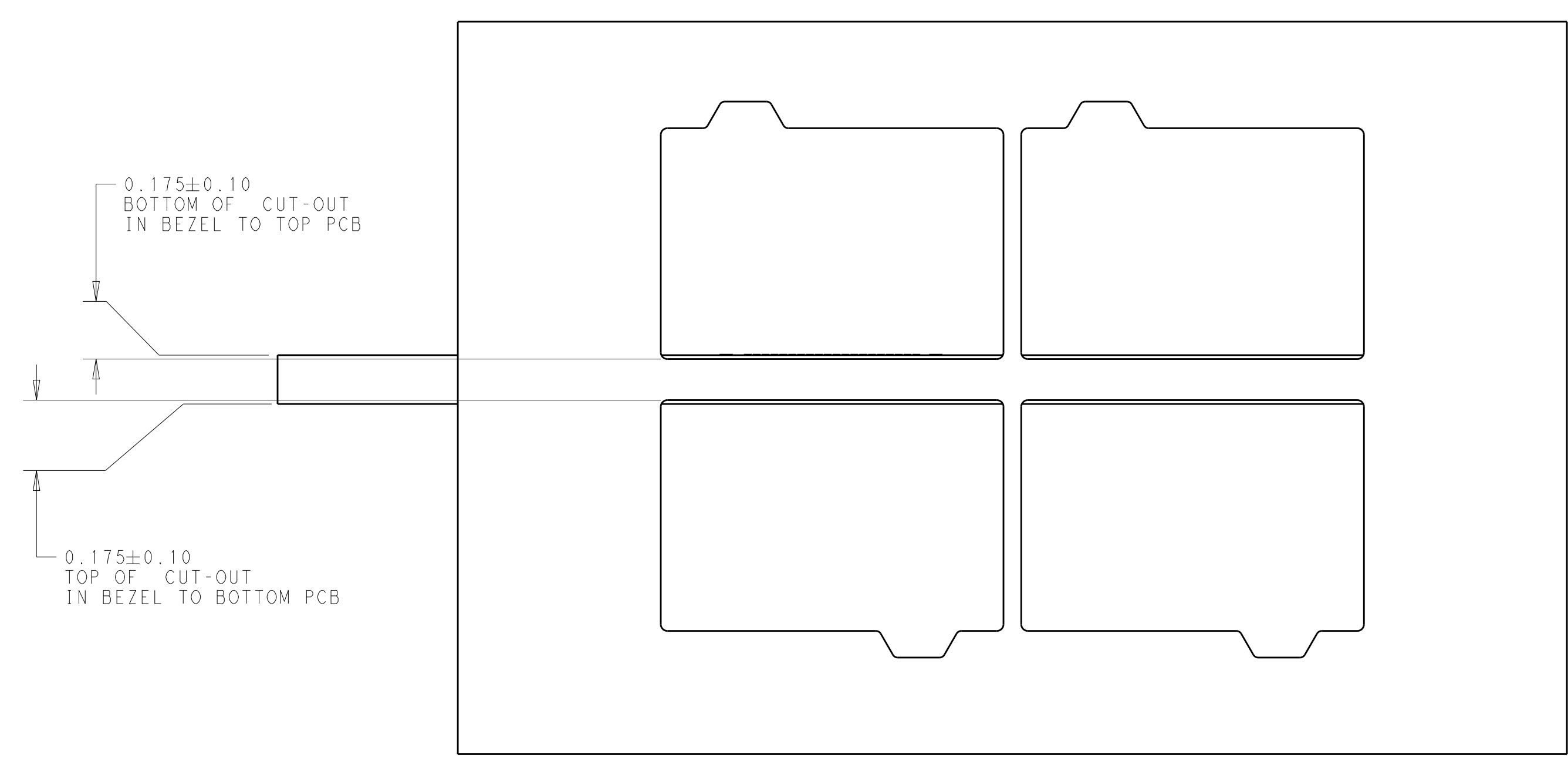
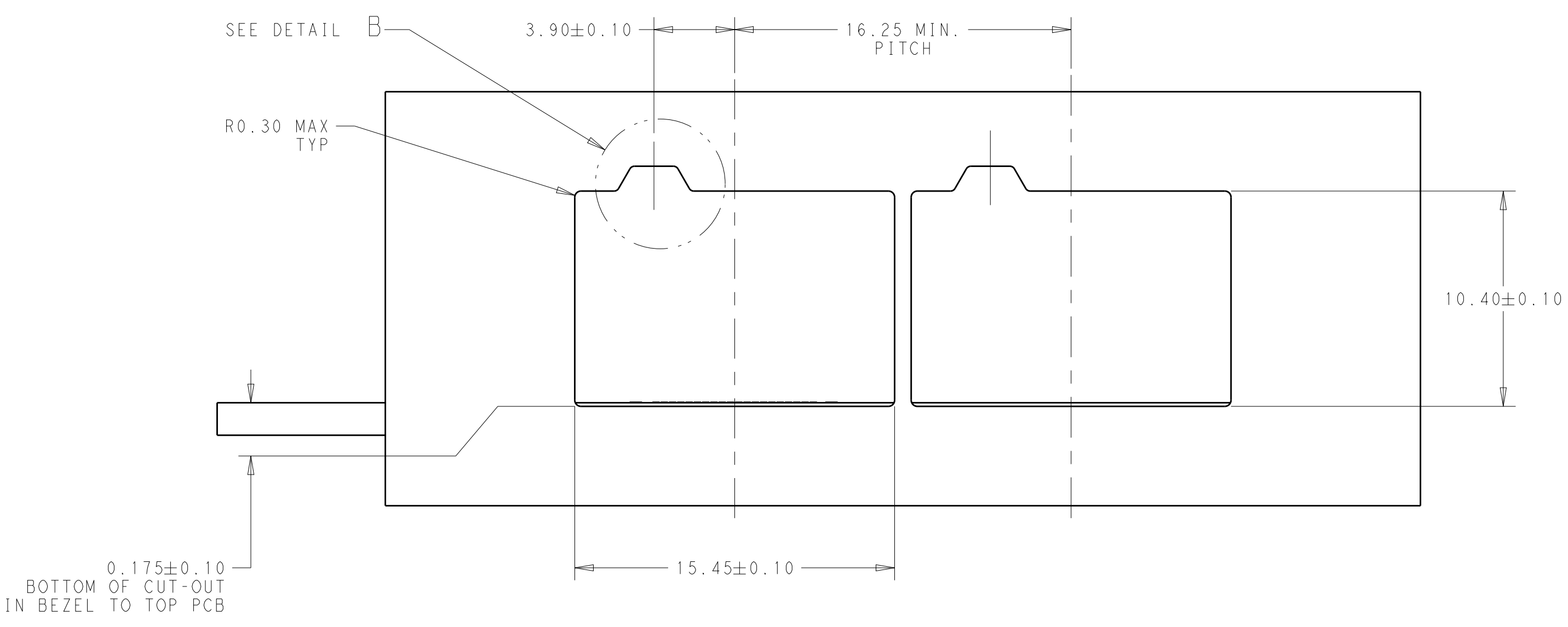
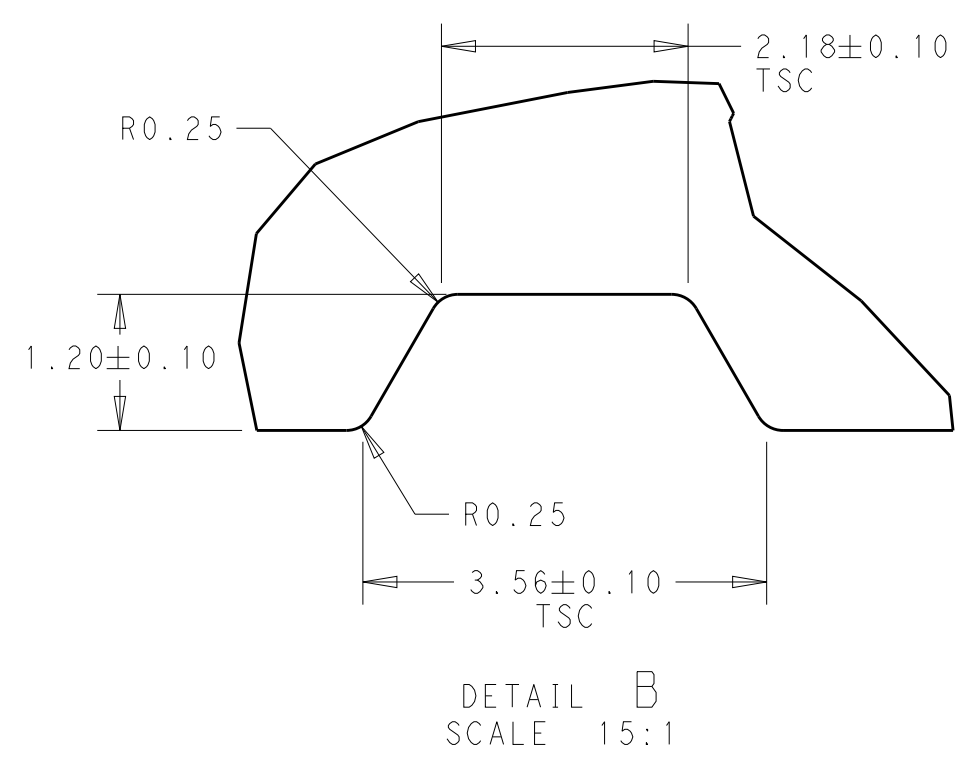


2335809-4 AS SHOWN
 SCALE 5:1



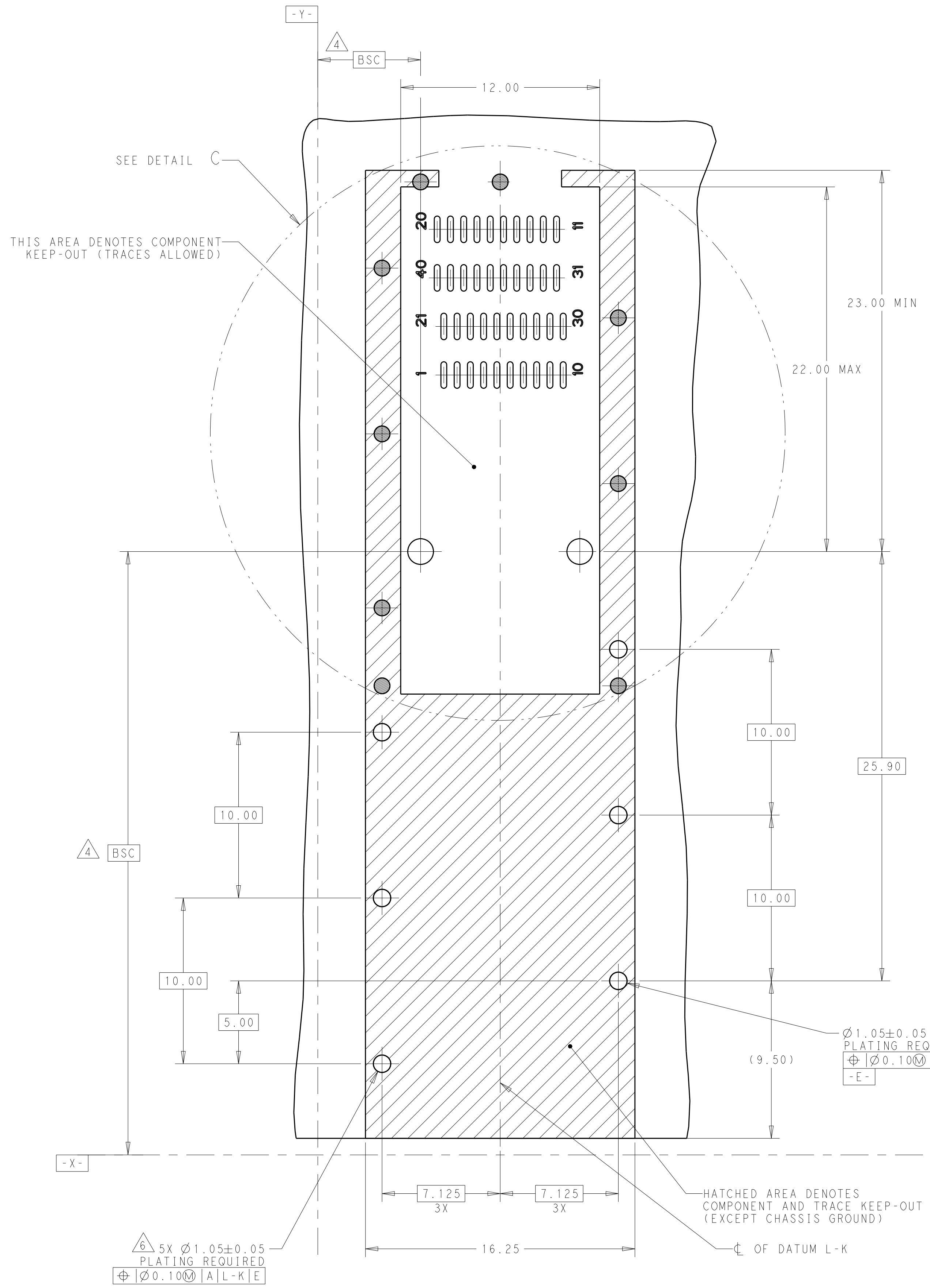
THIS DRAWING IS A CONTROLLED DOCUMENT.		DWN: VINDY LIU 08OCT2018	TE Connectivity
DIMENSIONS:		CHK: SEAN HAN 08OCT2018	
mm	0 PLC ±	APVD: -	NAME: CAGE ASSEMBLY, 1X1
	1 PLC ±0.25	PRODUCT SPEC: 108-60128	SFP-DD, STANDARD
	2 PLC ±0.20	APPLICATION SPEC: -	SIZE: A
	3 PLC ±0.10	RESTRICTED TO: -	CAGE CODE: 100779
	4 PLC ±	SCALE: 2:1	DRAWING NO: 2335809
MATERIAL: -	FINISH: -	WEIGHT: -	SHEET 2 OF 5
CUSTOMER DRAWING		SCALE: 2:1	REV: A

REVISIONS				
P.	LTH	DESCRIPTION	DATE	APVD
		SEE SHEET 1		

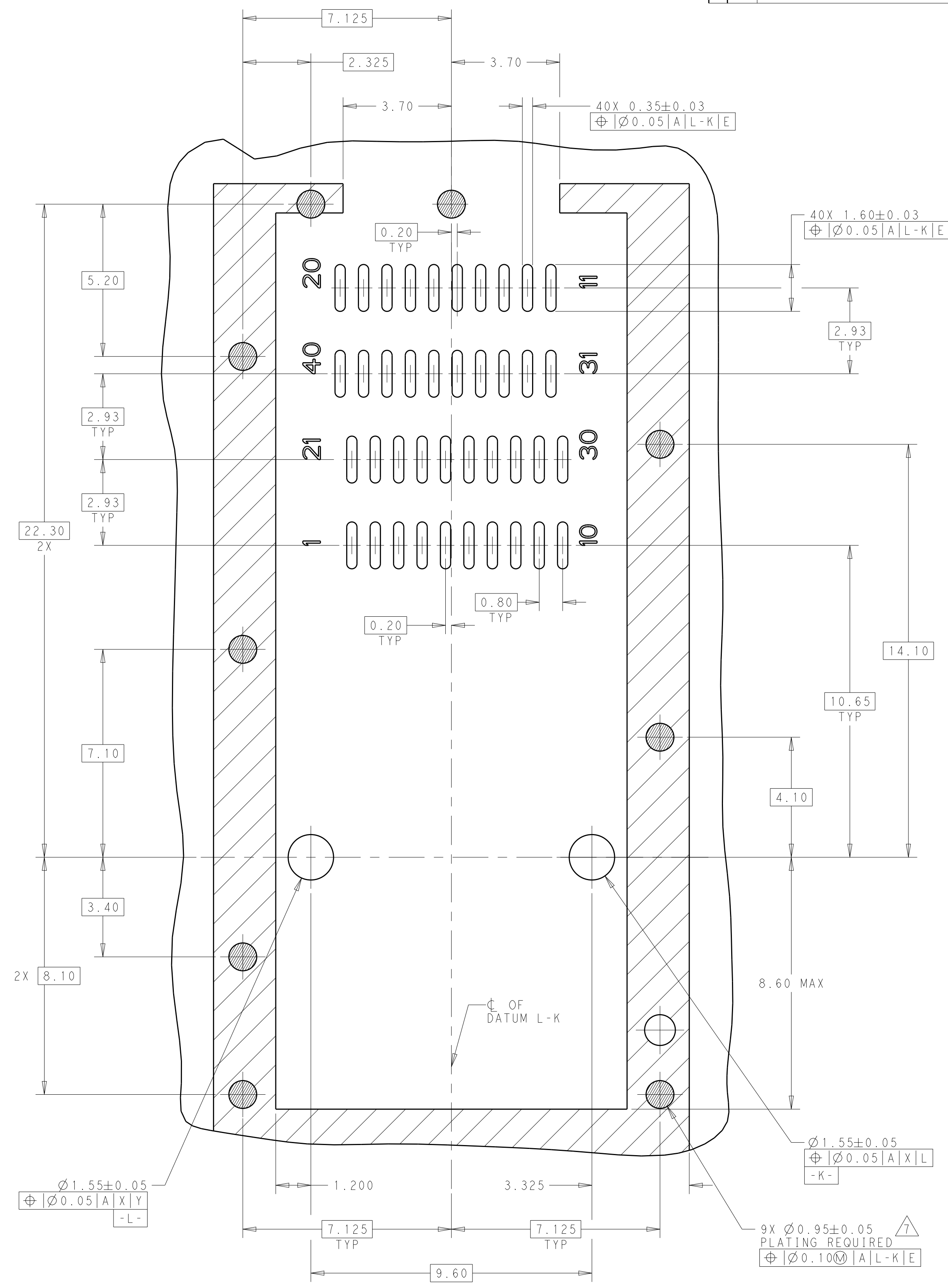


THIS DRAWING IS A CONTROLLED DOCUMENT.		DWN: WINDY LIU 08OCT2018	TE Connectivity
TOLERANCES UNLESS OTHERWISE SPECIFIED:		CHK: SEAN HAN 08OCT2018	
DIMENSIONS:	mm	APVD: -	NAME: CAGE ASSEMBLY, 1X1 SFP-DD, STANDARD
0 PLC	±	PRODUCT SPEC	108-60128
1 PLC	±0.25	APPLICATION SPEC	114-60027
2 PLC	±0.20	SIZE: CAGE CODE: DRAWING NO:	A100779C=2335809
3 PLC	±0.10	RESTRICTED TO:	
4 PLC	±	WEIGHT:	
ANGLES	±	CUSTOMER DRAWING	SCALE: 2:1 SHEET 3 OF 5 REV A
MATERIAL:			

REVISIONS				
P.	LTN.	DESCRIPTION	DATE	APPD.
		SEE SHEET 1		



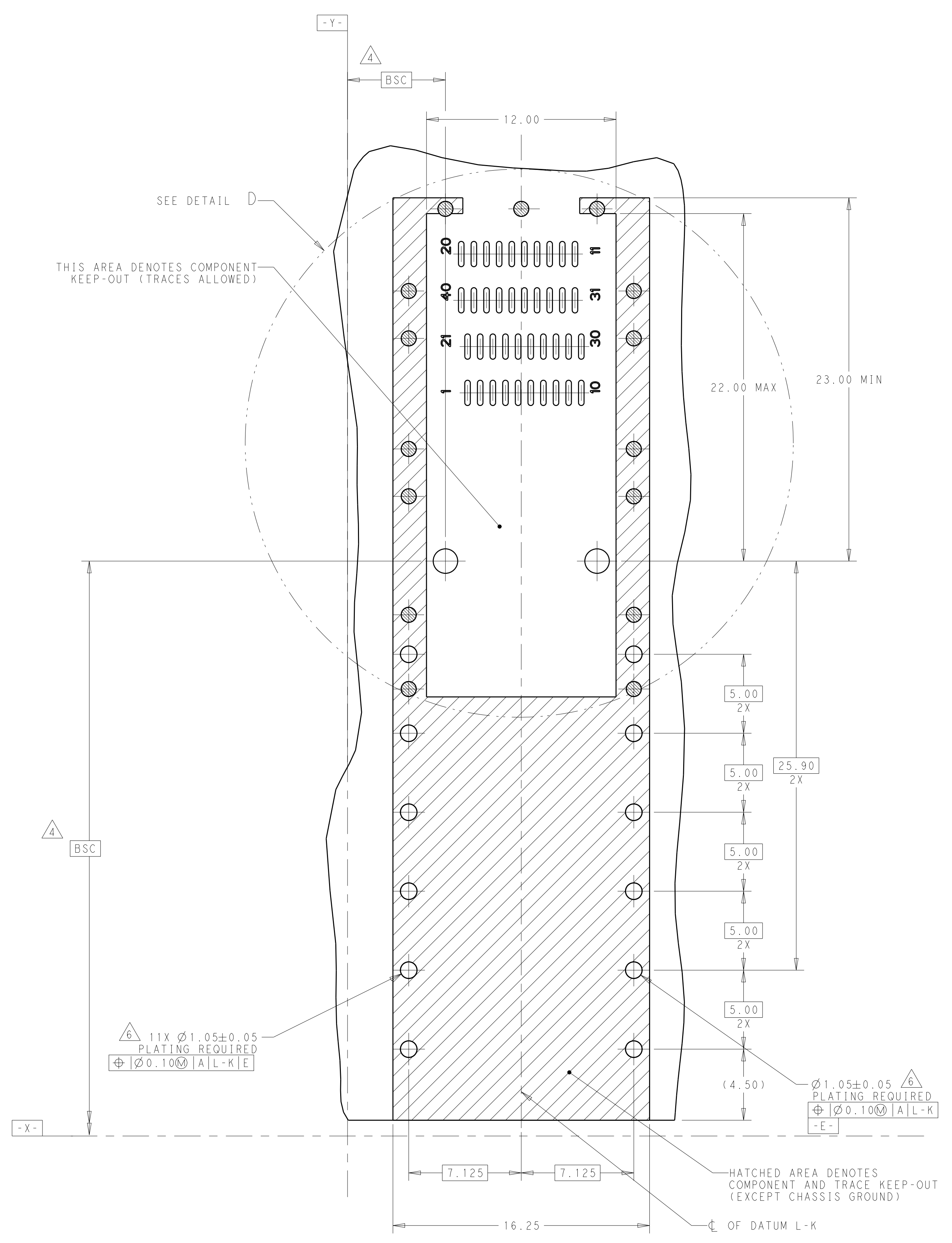
RECOMMENDED PCB LAYOUT
SINGLE TYPE
SCALE 6:1



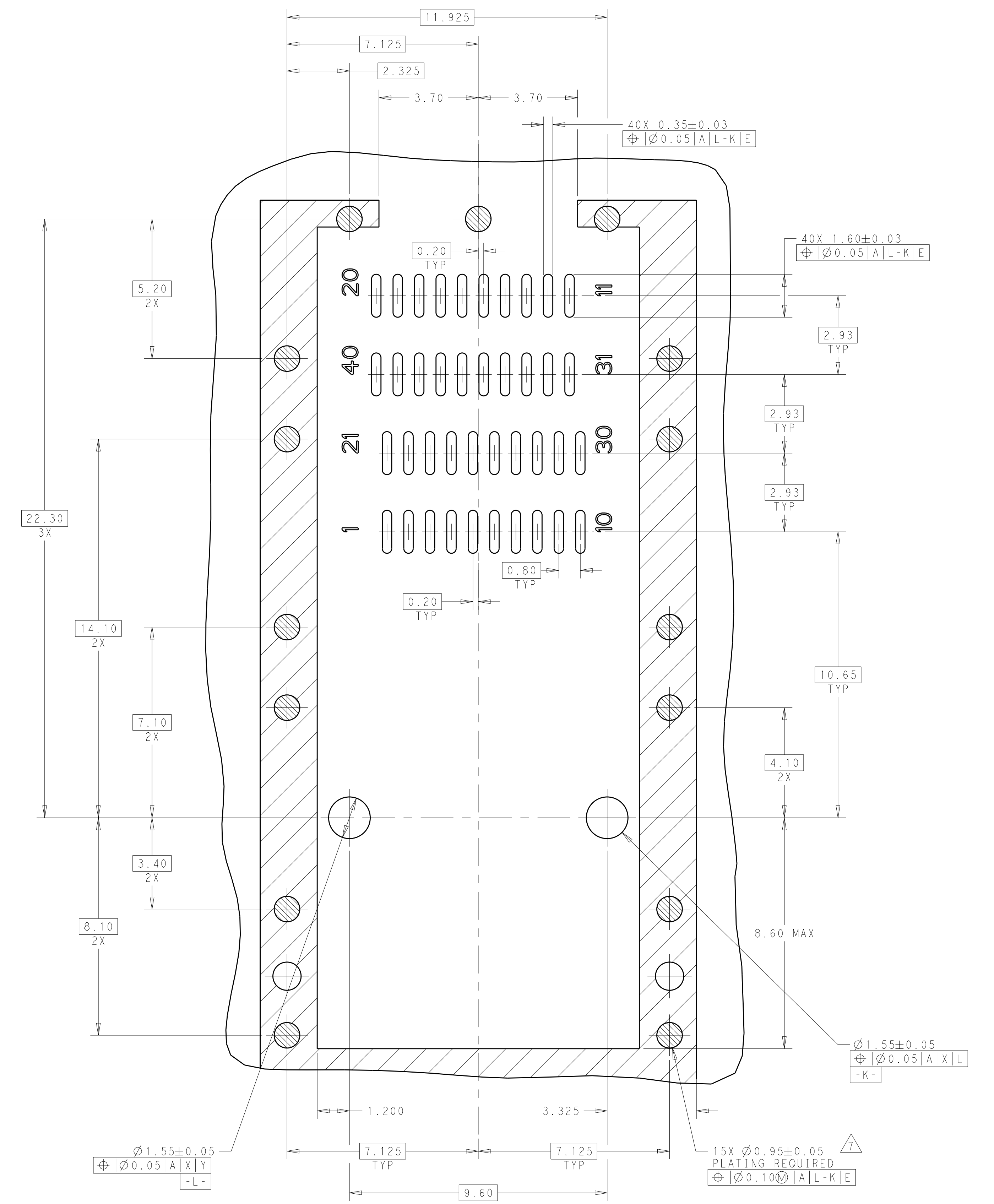
DETAIL C
SCALE 10:1

THIS DRAWING IS A CONTROLLED DOCUMENT.		DWN: WINDY LIU 08OCT2018	 TE Connectivity
DIMENSIONS: mm		CHK: SEAN HAN 08OCT2018	
TOLERANCES UNLESS OTHERWISE SPECIFIED:		APVD:	NAME: CAGE ASSEMBLY, 1X1 SFP-DD, STANDARD
0 PLC	±	PRODUCT SPEC	SIZE: CAGE CODE DRAWING NO
1 PLC	±0.25	108-60128	RESTRICTED TO
2 PLC	±0.20	APPLICATION SPEC	A100779C=2335809
3 PLC	±0.10	114-60027	SCALE 2:1 SHEET 4 OF 5 REV A
4 PLC	±	WEIGHT	
ANGLES	±	CUSTOMER DRAWING	
MATERIAL	FINISH		

REVISIONS				
P. LTH	DESCRIPTION	DATE	DMN	APVD
	SEE SHEET 1			



RECOMMENDED PCB LAYOUT
 BELLY TO BELLY
 SCALE 6:1



DETAIL D
 SCALE 10:1

THIS DRAWING IS A CONTROLLED DOCUMENT.		DMN: WINDY LIU 08OCT2018	TE Connectivity
DIMENSIONS: mm		CHK: SEAN HAN 08OCT2018	
TOLERANCES UNLESS OTHERWISE SPECIFIED:		APVD:	NAME: CAGE ASSEMBLY, 1X1
0 PLC	±	PRODUCT SPEC	108-60128
2 PLC	±0.25	APPLICATION SPEC	114-60027
3 PLC	±0.20	SIZE	CAGE CODE: 2335809
4 PLC	±0.10	WEIGHT	SCALE: 2:1
ANGLES	±	CUSTOMER DRAWING	SHEET 5 OF 5
MATERIAL			REV A

单击下面可查看定价，库存，交付和生命周期等信息

[>>TE Connectivity\(泰科\)](#)