

4

3

2

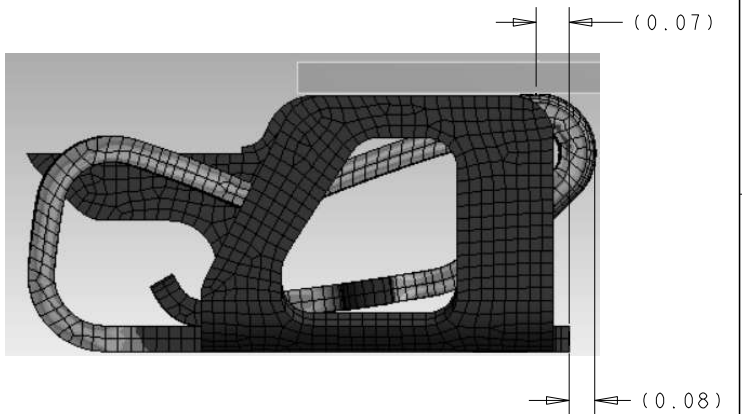
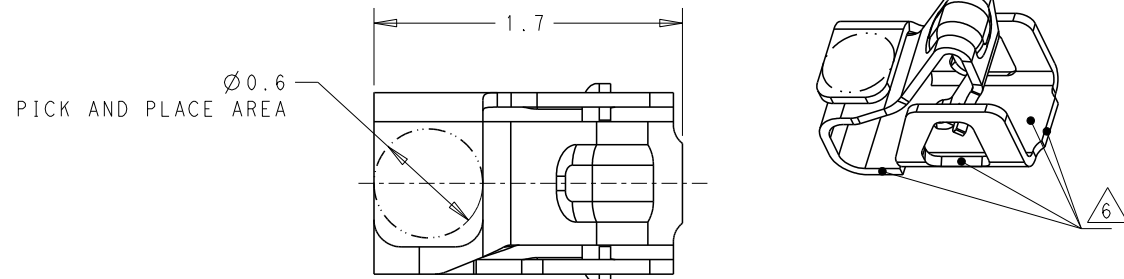
1

THIS DRAWING IS UNPUBLISHED. RELEASED FOR PUBLICATION 20  
 (C) COPYRIGHT 20 BY - ALL RIGHTS RESERVED.

REVISIONS				
P	LTR	DESCRIPTION	DATE	DWN APVD
	A	FIRST RELEASED	30MAY2018	J. J. W. H

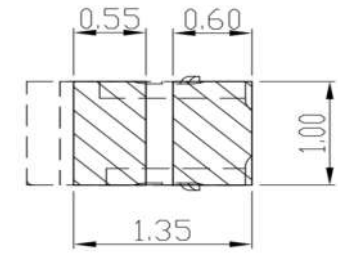
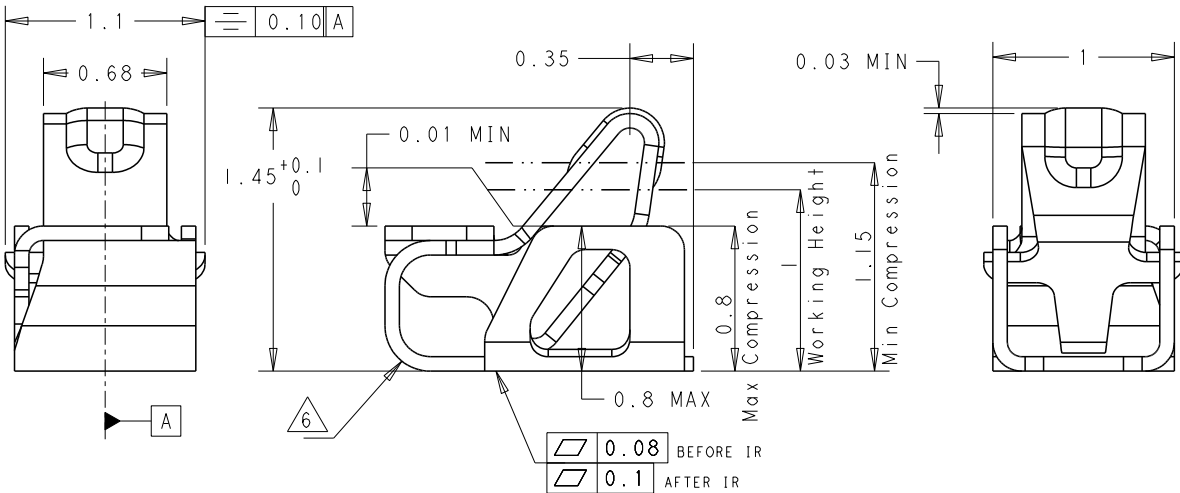
D

D



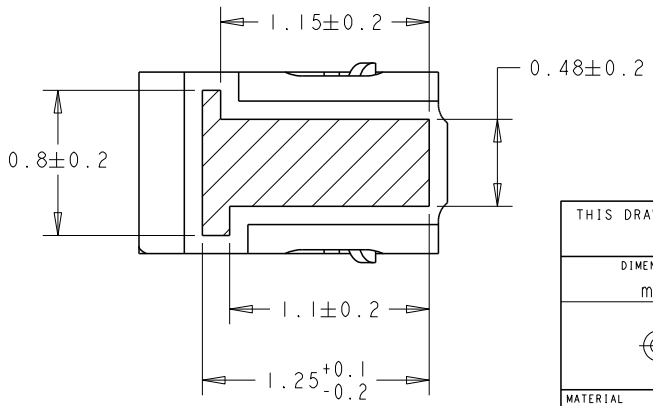
C

C



B

B



RECOMMENDED P.C.B LAYOUT TOLERANCE ±0.05

- PART NUMBER: 2336713-2.
- MATERIAL: SUS301 K1500, THICKNESS=0.08mm.
- FINISH : 2.0-7.6um NICKEL UNDERLAYER ALL OVER .  
0.25um MIN. GOLD PLATING ON CONTACT AREA .  
0.075-0.6um GOLD PLATING ON SOLDER AREA .
- NORMAL FORCE: 0.5N MIN(INITIAL) AT WORKING RANGE .  
0.4N MIN AFTER 1500CYCLES DURABILITY .
- WORKING RANGE: 0.80mm ~ 1.15 mm
- Ni BARRIER AREA
- RATED CURRENT 1.5A, RATED VOLTAGE 10V DC.
- CONTACT RESISTANCE: 30 milliohm MAX INTIAL.
- OPERATION TEMPERATURE: -40-85 DEGREES.

A

A

THIS DRAWING IS A CONTROLLED DOCUMENT.		DWN JONE JI 14MAY2018		
		CHK WENKE HE 14MAY2018		
		APVD WFNKE HE 14MAY2018	NAME	
DIMENSIONS: mm		PRODUCT SPEC		SPRING FINGER 1.45H
TOLERANCES UNLESS OTHERWISE SPECIFIED:		APPLICATION SPEC		SIZE CAGE CODE DRAWING NO RESTRICTED TO
±0.1		-		A 3 00779 C=2336713
0 PLC ±		WEIGHT		SCALE SHEET OF REV
1 PLC ±0.1		-		36:1 1 2 A
2 PLC ±0.01		CUSTOMER DRAWING		
3 PLC ±0.001				
4 PLC ±0.0001				
ANGLES ±				
FINISH				
-				
-				

4

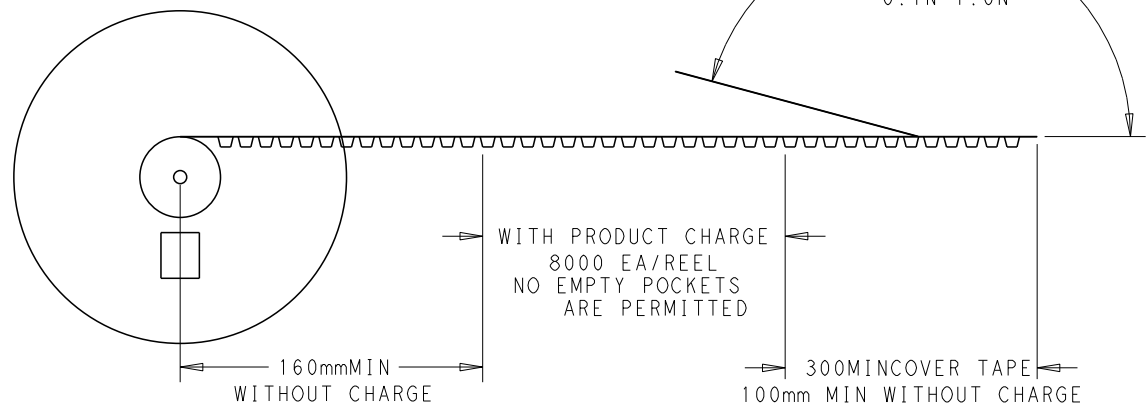
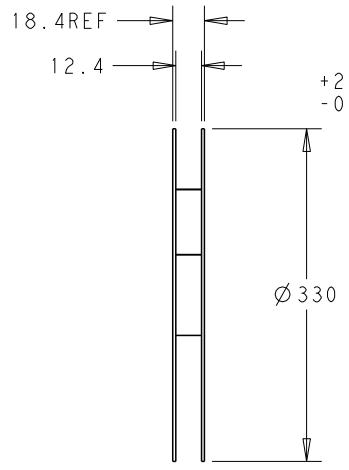
3

2

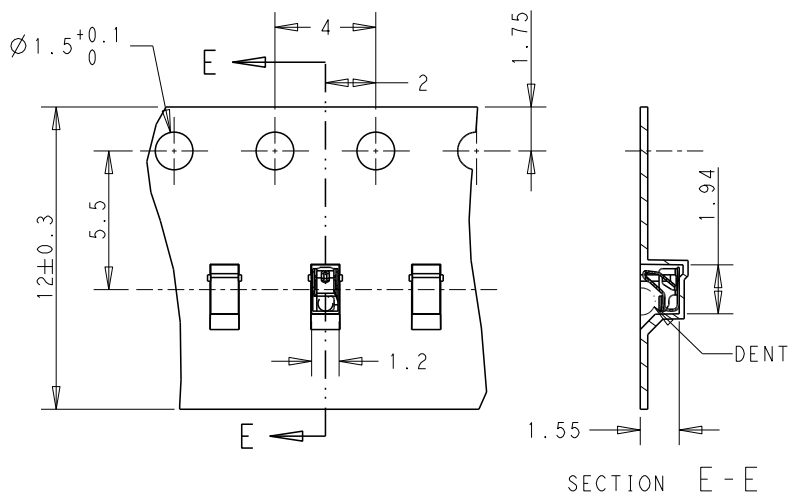
1

THIS DRAWING IS UNPUBLISHED. RELEASED FOR PUBLICATION 20  
 © COPYRIGHT 20 BY - ALL RIGHTS RESERVED.

REVISIONS				
P	LTR	DESCRIPTION	DATE	APVD



➔ DIRECTION OF TOP OF REEL



NOTE:  
 1. PACKAGE SPEC EIA-481-D

THIS DRAWING IS A CONTROLLED DOCUMENT.		DWN	JONE JI	14MAY2018	<b>STE</b> TE Connectivity
		CHK	WENKE HF	14MAY2018	
		APVD	WENKE HF	14MAY2018	
		PRODUCT SPEC	NAME		
DIMENSIONS: mm		TOLERANCES UNLESS OTHERWISE SPECIFIED: ±		APPLICATION SPEC	
MATERIAL		FINISH		DRAWING NO	
				RESTRICTED TO	
				SCALE	
				SHEET	
				OF	
				REV	
				A	

单击下面可查看定价，库存，交付和生命周期等信息

[>>TE Connectivity\(泰科\)](#)