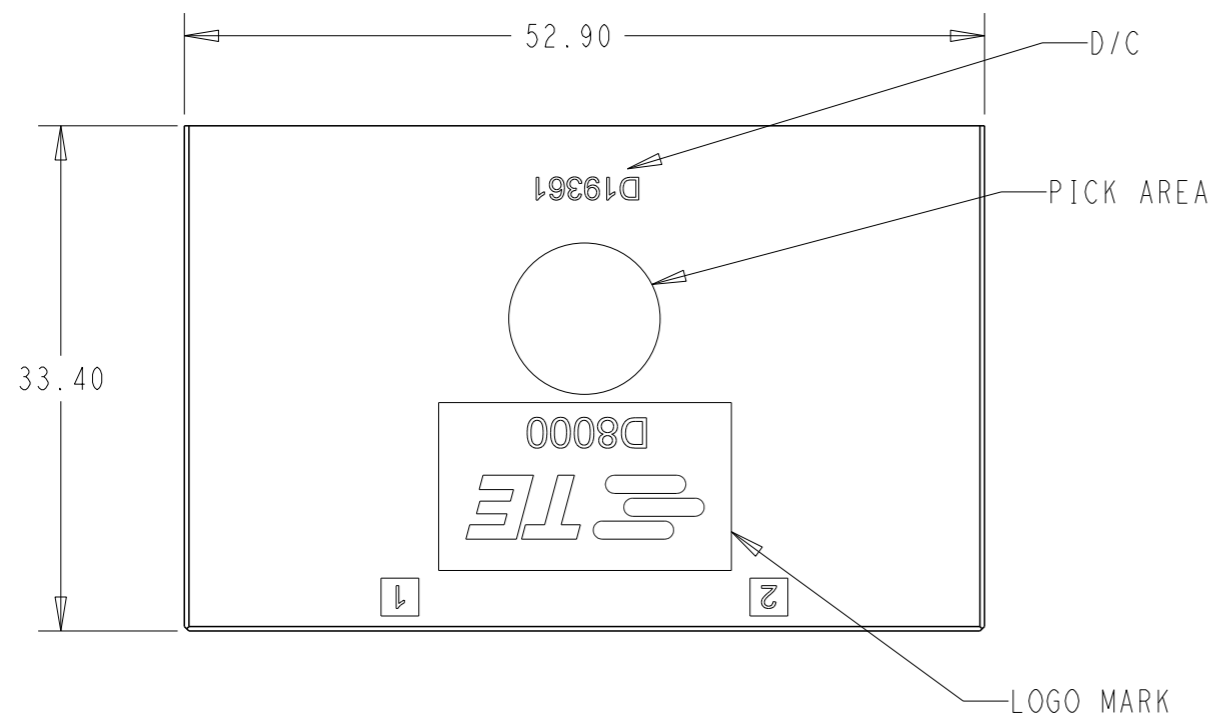
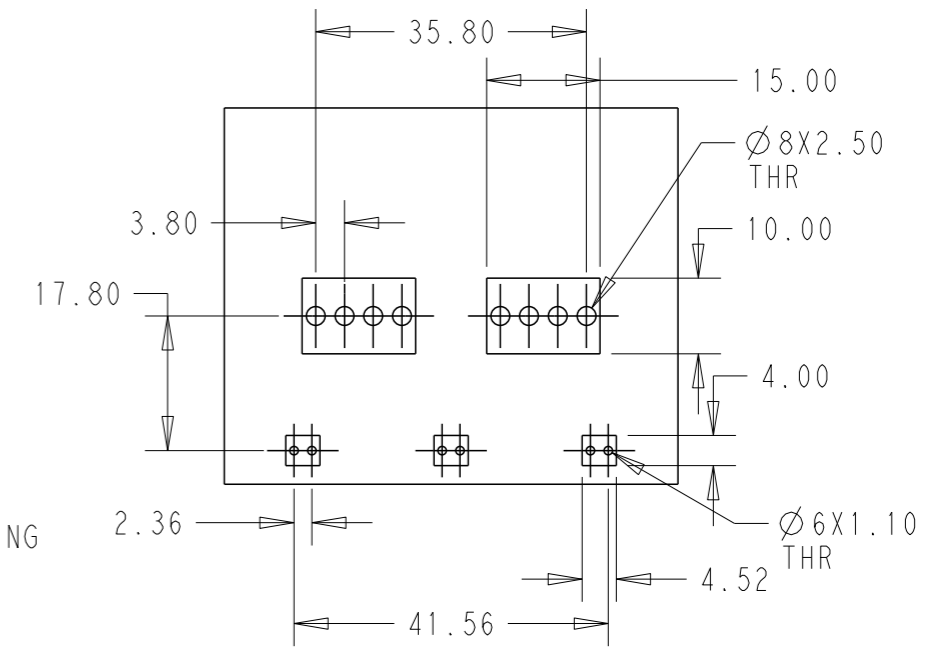


REVISIONS

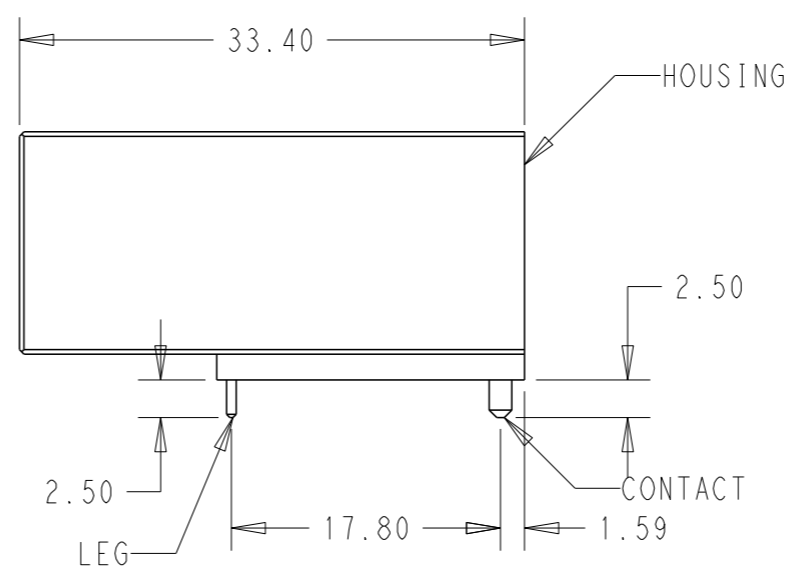
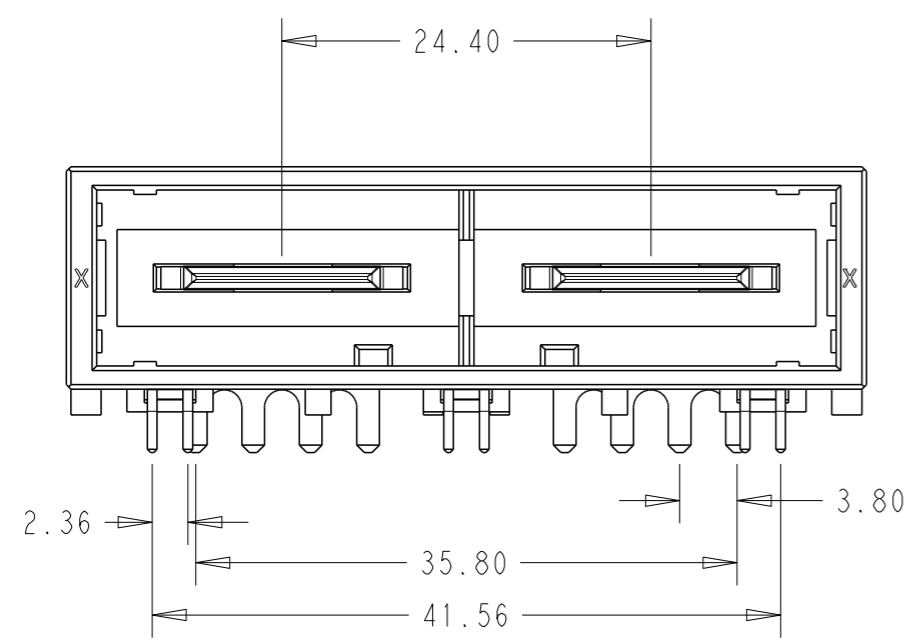
P	LTR	DESCRIPTION	DATE	DWN	APVD
	A	INITIAL	21JUN2020	A.W	R.B



AS SHOWN:1-2351965-2



RECOMENDED PC BOARD HOLE PATTERN(TOL±0.05)
PC BOARD THICKNESS:1.6±0.1



- NOTES
- MATERIAL:HOUSING:GLASS FILED THERMO PLASTIC, POLYESTER(94V-0),COLOR:BLACK
TAB CONTACT:COPPER ALLOY
RETENTION LEG:COPPER ALLOY
 - FINISH(CONTACT AREA):Ag PLATING OVER NICKEL
FINISH(SOLDER AREA):LEAD FREE TIN PLATING OVER NICKEL
 - FINISH(RETENTION LEG):LEAD FREE TIN OVER NICKEL

THIS DRAWING IS A CONTROLLED DOCUMENT.		DWN ALVIN.W 24MAR2020	TE Connectivity	
		CHK RICK.B 24MAR2020		
		APVD RICK.B 24MAR2020	NAME HEADER ASSEMBLY D8000,DYNAMIC	
DIMENSIONS: mm		PRODUCT SPEC 108-140254	RESTRICTED TO	
TOLERANCES UNLESS OTHERWISE SPECIFIED:		APPLICATION SPEC 114-78058	SIZE A3	CAGE CODE 00779
0 PLC ± 1 PLC ±0.5 2 PLC ±0.4 3 PLC ± 4 PLC ± ANGLES ±		WEIGHT 25.54g	DRAWING NO C-2351965	
MATERIAL -		CUSTOMER DRAWING		SCALE 1:1
FINISH -		SHEET 1 OF 1		REV A
SEE NOTE				

单击下面可查看定价，库存，交付和生命周期等信息

[>>TE Connectivity\(泰科\)](#)