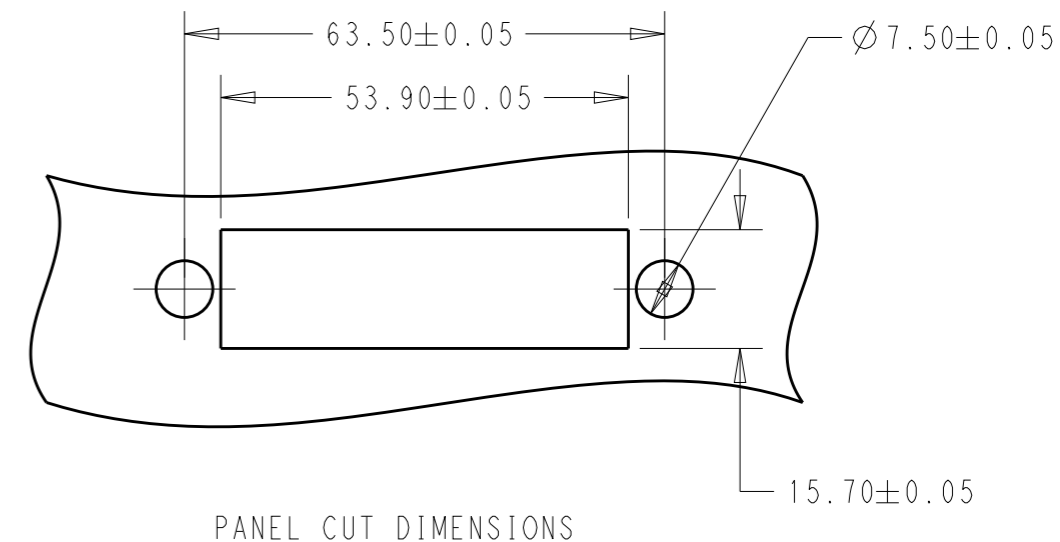
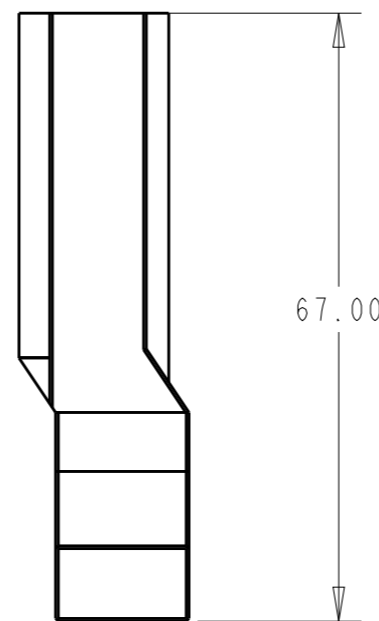
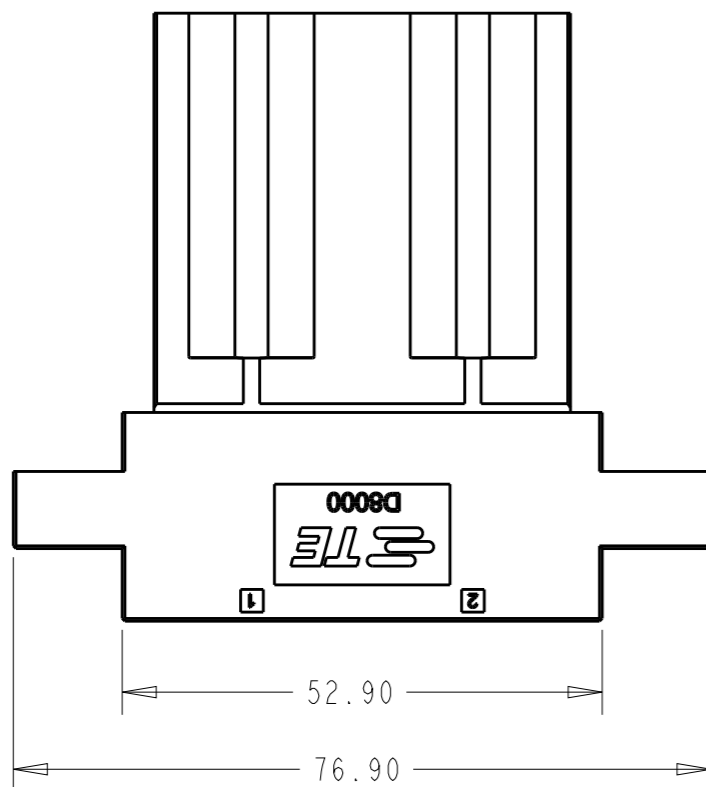
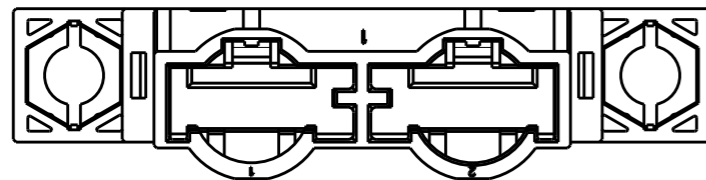
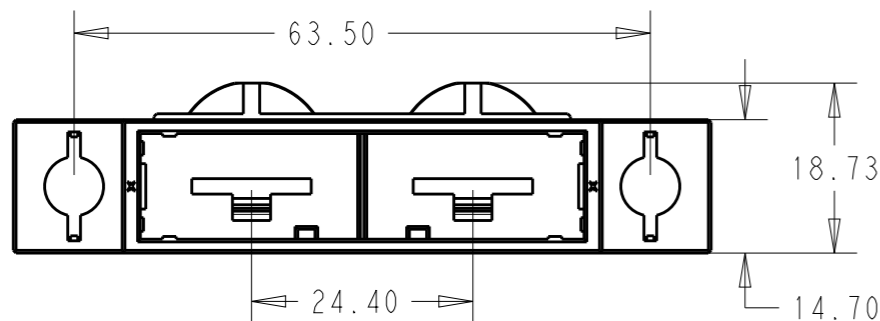


P	LTR	DESCRIPTION	DATE	DWN	APVD
	A	INITIAL	21 JUN 2020	A.W	R.B

AS SHOWN: 1-2352216-2



PANEL CUT DIMENSIONS



NOTE
1. MATERIAL: HOUSING: GLASS FILLED THERMO PLASTIC, POLYESTER (94V-0), COLOR: BLACK

THIS DRAWING IS A CONTROLLED DOCUMENT.		DWN ALVIN.W 24MAR2020	TE Connectivity	
DIMENSIONS: mm		CHK RICK.B 24MAR2020		
TOLERANCES UNLESS OTHERWISE SPECIFIED:		APVD RICK.B 24MAR2020	NAME TAB HOUSING DYNAMIC 8000	
0 PLC ± 1 PLC ±0.5 2 PLC ±0.4 3 PLC ± 4 PLC ± ANGLES ±		PRODUCT SPEC 108-140254	SIZE A3	
MATERIAL SEE NOTE		APPLICATION SPEC 114-78058	CAGE CODE 00779	DRAWING NO C-2352216
FINISH -		WEIGHT 24.9g	RESTRICTED TO -	
		CUSTOMER DRAWING	SCALE 1:1	SHEET 1 OF 1 REV A

单击下面可查看定价，库存，交付和生命周期等信息

[>>TE Connectivity\(泰科\)](#)