

4

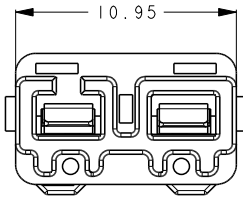
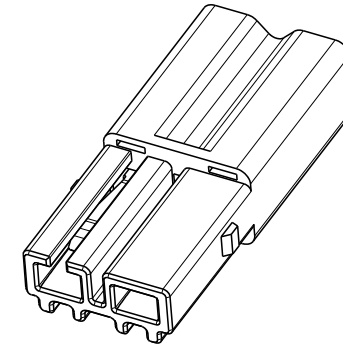
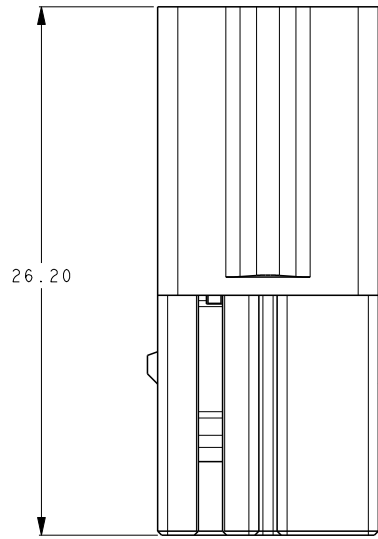
3

2

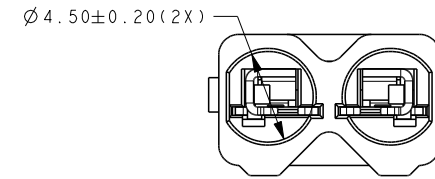
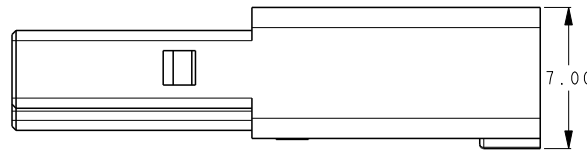
1

THIS DRAWING IS UNPUBLISHED. RELEASED FOR PUBLICATION 20  
 © COPYRIGHT 20 ALL RIGHTS RESERVED.

LOC	DIST	REVISIONS			
P	LTR	DESCRIPTION	DATE	DWN	APVD
	C	ECR-17-000969	20DEC2016	X.X	X.X
	D	ECR-18-018978	15FEB2019	F.F	M.S
	E	ECR-19-010701	16AUG2019	M.S	M.S
	E1	ECR-19-013399	26DEC2019	F.F	M.S



SCALE 4:1



PART NUMBER	PART COLOR
2834036-1	ORANGE

NOTES:

- 1. TE PART NUMBER: SEE TABLE.
- 2. MATERIAL
- 3. TERMINAL: COPPER ALLOY.
- 4. HOUSING: NYLON, UL 94-V0. COLOR: ORANGE.
- 5. FINISH
- 6. TERMINAL: TIN PLATING OVERALL.
- 7. APPLICABLE MATING RECEPTACLE: 2834037 SERIES.
- 8. APPLICABLE WIRE: 18-22 AWG SOLID.
- 9. STRIP LENGTH: 9.0-9.5mm.
- 10. PRODUCT COMPLIES TO UL 2459 REQUIREMENT AND QUALIFIED: ZMNA.E308110; ZMNA7.E208110.

THIS DRAWING IS A CONTROLLED DOCUMENT.		DWN	26DEC2019	<b>STE</b> TE Connectivity					
		CHK	FRANK FAN						
		APVD	GEORGE FU						
		NAME	MING SHI						
DIMENSIONS:		TOLERANCES UNLESS OTHERWISE SPECIFIED:		PLUG 2 PIN WIRE TO WIRE CONNECTOR					
mm		± 0.5							
		0-PLC ±							
		1-PLC ±10							
		2-PLC ±5.0							
		3-PLC ±							
MATERIAL		FINISH		SIZE	CAGE CODE	DRAWING NO	RESTRICTED TO		
				A3	00779	C-2834036	-		
CUSTOMER DRAWING				SCALE	4:1	SHEET	1 OF 2	REV	E1

4

3

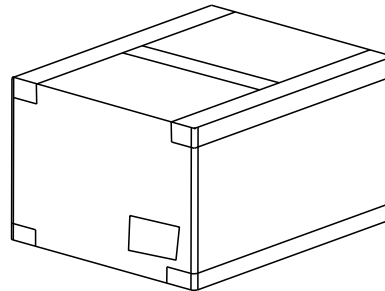
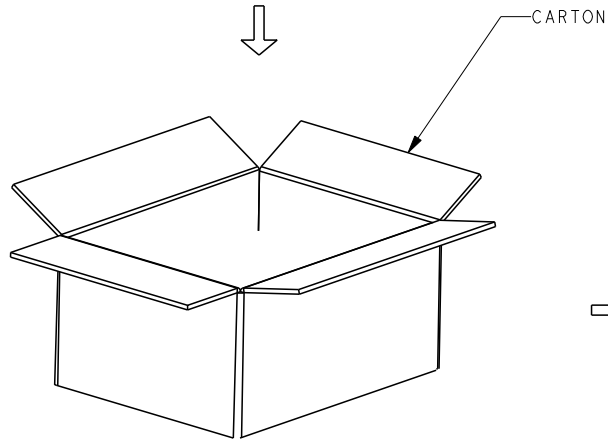
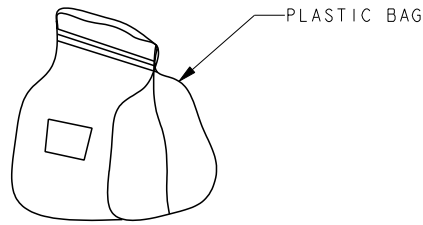
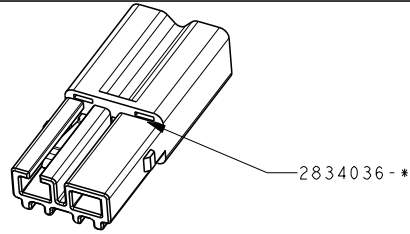
2

1

THIS DRAWING IS UNPUBLISHED.      RELEASED FOR PUBLICATION      20

© COPYRIGHT 20      ALL RIGHTS RESERVED.

LOC	DIST	REVISIONS					
		P	LTR	DESCRIPTION	DATE	DWN	APVD
ES							



NOTE:  
1. PACKAGING QUANTITY: SEE TABLE.

PARTS PER BAG	BAGS PER CARTON	PARTS PER CARTON
500 PCS	8	4000 PCS

THIS DRAWING IS A CONTROLLED DOCUMENT.		DWN	26DEC2019	<b>STE</b> TE Connectivity	
		CHK	FRANK FAN		
		APVD	GEORGE FU		
		NAME	MING SHI		
DIMENSIONS: mm		TOLERANCES UNLESS OTHERWISE SPECIFIED:		PLUG 2 PIN WIRE TO WIRE CONNECTOR	
		0 PLC	±		
		1 PLC	±10		
		2 PLC	±5.0		
		3 PLC	±		
MATERIAL		4 PLC	±	PRODUCT SPEC	-
		ANGLES	±5°	APPLICATION SPEC	-
		FINISH	-	WEIGHT	-
				SIZE	A3
				CAGE CODE	00779
				DRAWING NO	C=2834036
				RESTRICTED TO	-
CUSTOMER DRAWING				SCALE	4:1
				SHEET	2 OF 2
				REV	E1

单击下面可查看定价，库存，交付和生命周期等信息

[>>TE Connectivity\(泰科\)](#)