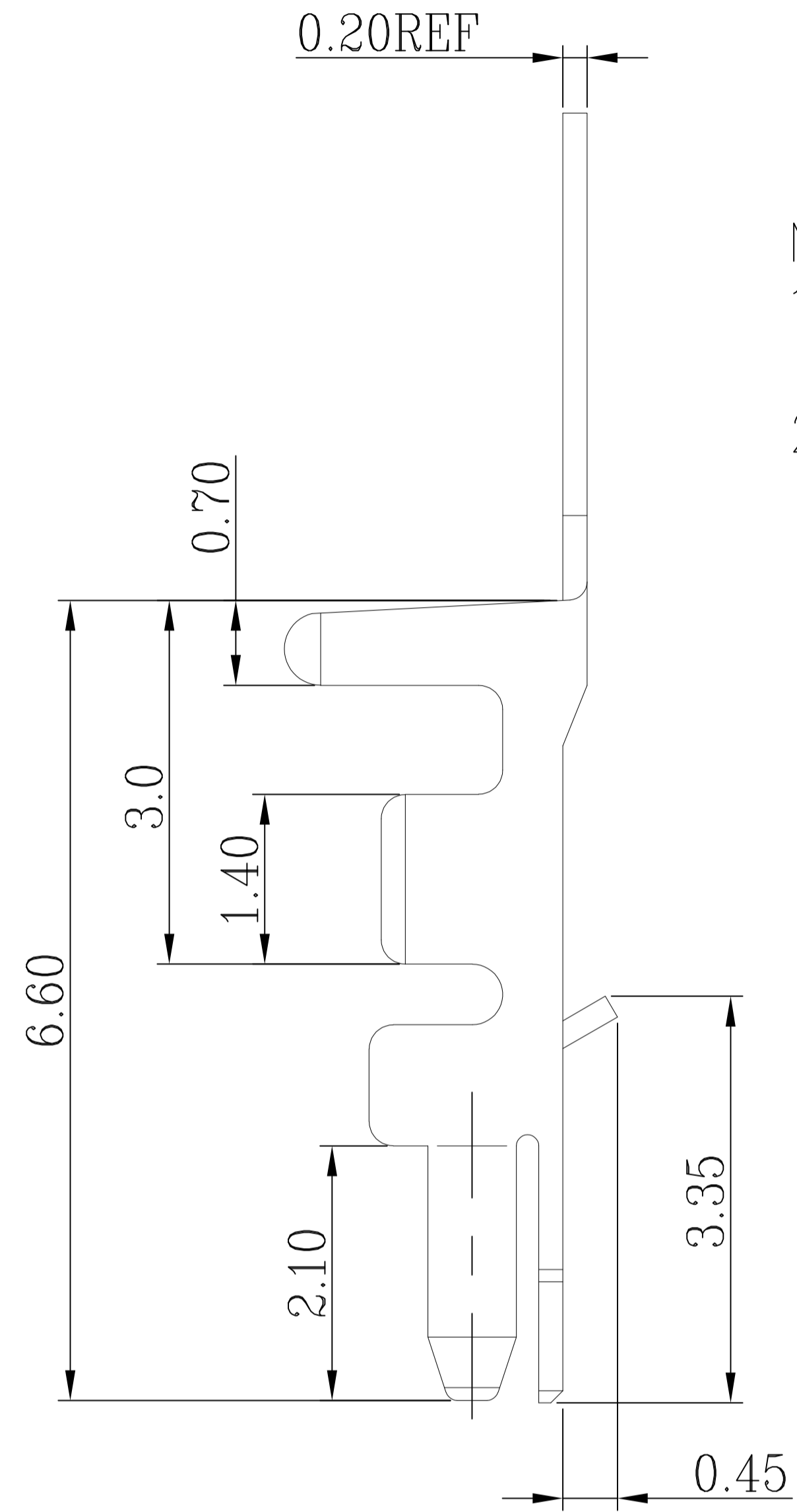
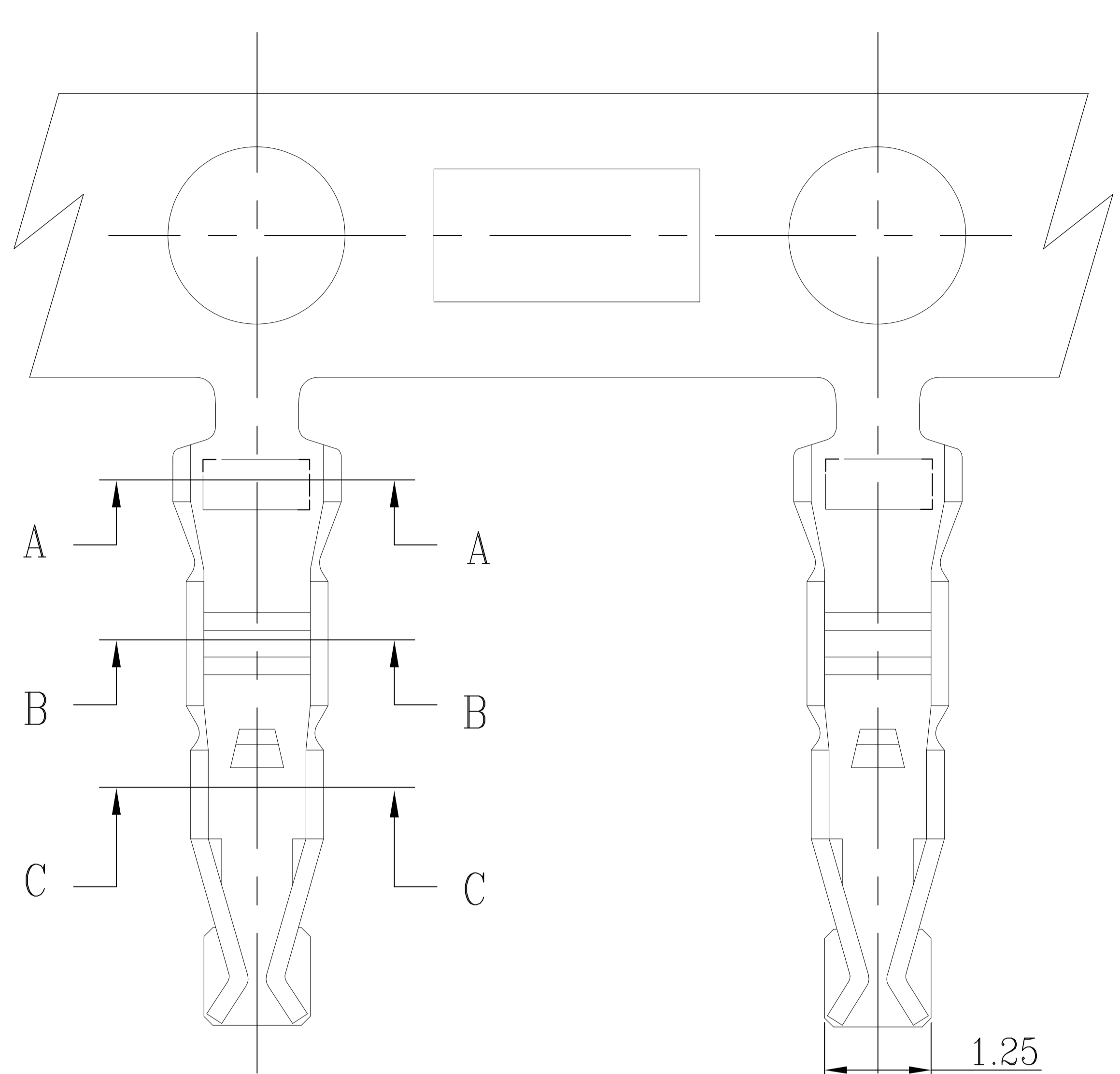
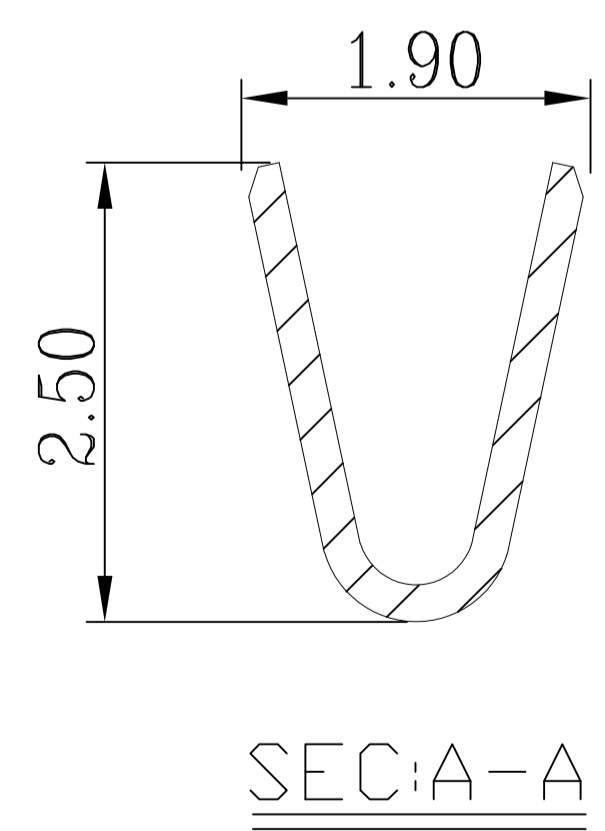
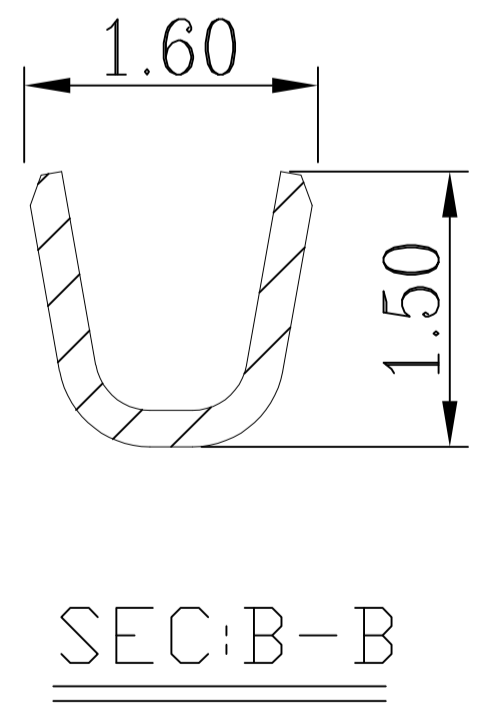
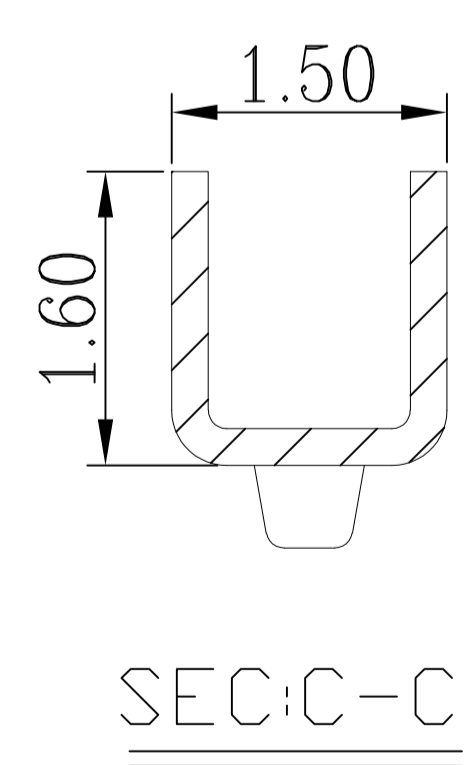


THIS DRAWING IS UNPUBLISHED. RELEASED FOR PUBLICATION 20
 © COPYRIGHT 20 BY - ALL RIGHTS RESERVED.

LDC		DIST		REVISIONS			
P	LTR	DESCRIPTION		DATE	DWN	APVD	
	A	FIRST VERSION		23NOV2016	G.F	S.M	



- NOTES:
 1. MATERIAL SPECIFICATION
 1.1 TERMINAL:PHOSPHOR BRONZE
 2. CONTACT FINISH:
 80u"MIN TIN-PLATED OVER 30u" MIN NICKEL PLATED



P/N: 2834195-1

THIS DRAWING IS A CONTROLLED DOCUMENT.		DWN GEORGE FU 12DEC2016		
		CHK SHI MING 12DEC2016		
DIMENSIONS: mm	TOLERANCES UNLESS OTHERWISE SPECIFIED:	APVD XU XIANG 12DEC2016	NAME 2.0MM PITCH, PLUG Terminal	
	0 PLC ±0.25 1 PLC ±0.20 2 PLC ±0.15 3 PLC ± 4 PLC ±	PRODUCT SPEC /	SIZE A200779	CAGE CODE C-2834195
MATERIAL	ANGLES ±3° FINISH	APPLICATION SPEC /	DRAWING NO C-2834195	RESTRICTED TO -
NOTE 1	NOTE 2	WEIGHT -	SCALE 1:1	SHEET 1 OF 1
CUSTOMER DRAWING		REV A		

单击下面可查看定价，库存，交付和生命周期等信息

[>>TE Connectivity\(泰科\)](#)