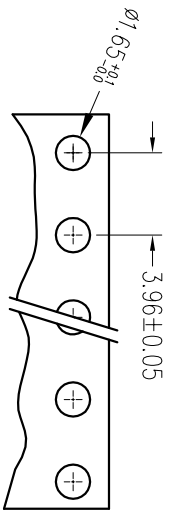
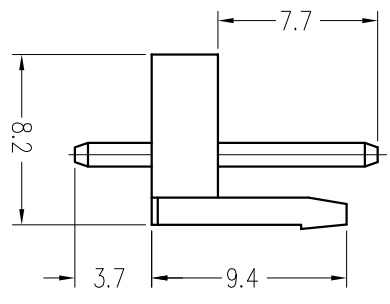
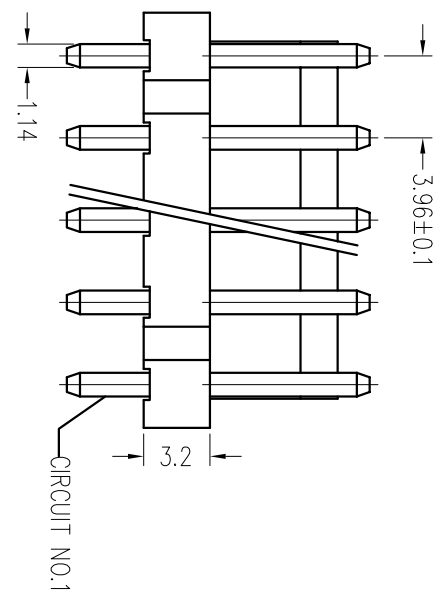
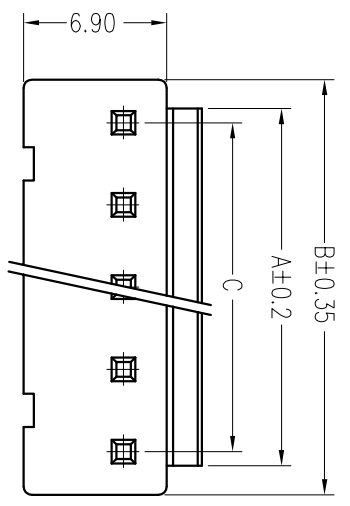


THIS DRAWING IS UNCLASSIFIED		RELEASED FOR INFORMATION		ALL RIGHTS RESERVED	
COPYRIGHT © BY -		BY -		BY -	
LDC		JUST		REVISONS	
P	LTR	DESCRIPTION		DATE	BY
A	A	INITIAL VERSION		18MAR2017	P/V MS



RECOMMENDED PCB LAYOUT  
(PCB THK=1.0~1.6)  
TOLERANCES ARE NON-CUMULATIVE: ±0.10

NOTE:  
1.MATERIAL:  
HOUSING: NYLON 66 UL 94V-0,COLOR NATURAL  
PIN: BRASS  
2.FINISH: BRIGHT TIN PLATED  
3.ROHS COMPLIANT.  
4.BILL OF PART NO:

P/N	POS	A	B	C
1-2834291-1	2	5.30	7.92	3.96
1-2834291-2	3	9.26	11.88	7.92
1-2834291-3	4	13.22	15.84	11.88
1-2834291-4	5	17.18	19.80	15.84
1-2834291-5	6	21.14	23.76	19.80
1-2834291-6	7	25.10	27.72	23.76
1-2834291-7	8	29.06	31.68	27.72
1-2834291-8	9	33.02	35.64	31.68
1-2834291-9	10	36.98	39.60	35.64
2-2834291-1	11	40.94	43.56	39.60
2-2834291-2	12	44.90	47.52	43.56
2-2834291-3	13	48.86	51.48	47.52

THIS DRAWING IS A CONTROLLED DOCUMENT

DESIGNER	CHK	DATE	REV
YANG,X	MING,S	18MAR2017	1
DATE	BY	DATE	REV
108-137287	108-137287	114-137287	1
SIZE	CODE	SCALE	SHEET
A4	00779	C-2834291	1 OF 1

TE Connectivity

WTB 3.96MM PITCH V/T DIP TYPE

SCALE 1:1

单击下面可查看定价，库存，交付和生命周期等信息

[>>TE Connectivity\(泰科\)](#)