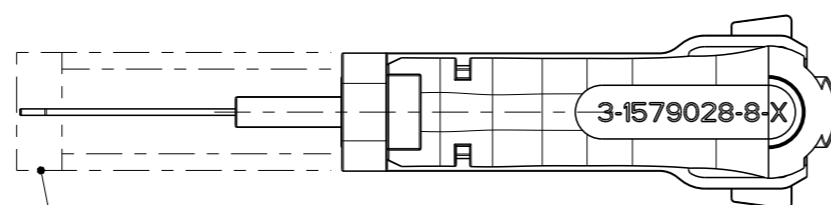
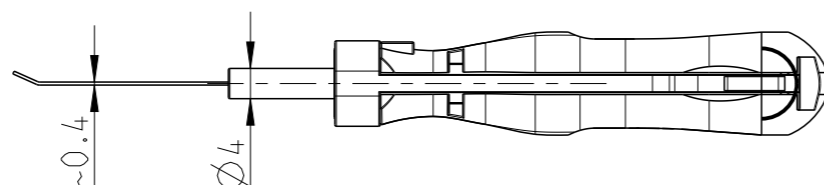
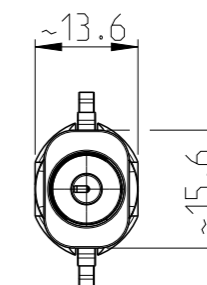
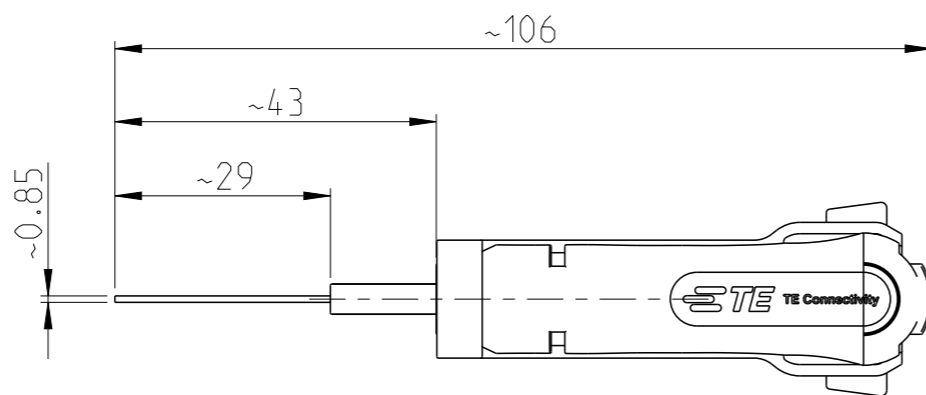


REVISIONS

P	LTR	DESCRIPTION	DATE	DWN	APVD
	A	Initial release	11FEB2016	RG	GS
	A1	ECR-16-002475	18FEB2016	KH	GR



COVER SLIDE  
Schutzschieber

Anwendungsbereich / Application range

Contact: 2141864, 1718758, 1718760, 1718762  
2141868 and 1718756

Housing: P/N 1703494, 1564559, 2141520 and 2141324  
1703498 and 1703506

Application-Spec. 114-18910-1

THIS DRAWING IS A CONTROLLED DOCUMENT.

DIMENSIONS: mm		TOLERANCES UNLESS OTHERWISE SPECIFIED:	
	0 PLC	±	
	1 PLC	±	
	2 PLC	±	
	3 PLC	±	
	4 PLC	±	
	ANGLES	±1°	
MATERIAL	FINISH	-	
-	finish_spec_2	-	

DWN	R. Germann	11FEB2016
CHK	R. Germann	11FEB2016
APVD	G. Stegmayer	11FEB2016
PRODUCT SPEC	-	
APPLICATION SPEC	-	
WEIGHT	15g	
CUSTOMER DRAWING		

		TE Connectivity	
		NAME EXTRACTION TOOL Entriegelungswerkzeug	
SIZE	CAGE CODE	DRAWING NO	RESTRICTED TO
A3	00779	3-1579028-8	-
SCALE		SHEET	REV
5:1		1 OF 1	A1

单击下面可查看定价，库存，交付和生命周期等信息

[>>TE Connectivity\(泰科\)](#)