

4

3

2

1

THIS DRAWING IS UNPUBLISHED.

RELEASED FOR PUBLICATION

ALL RIGHTS RESERVED.

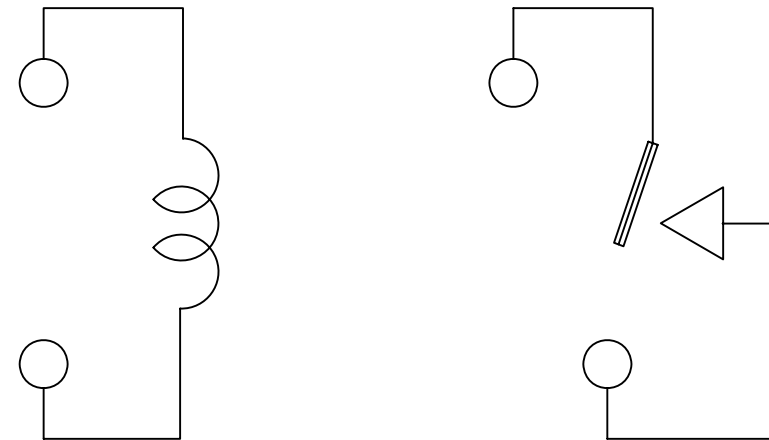
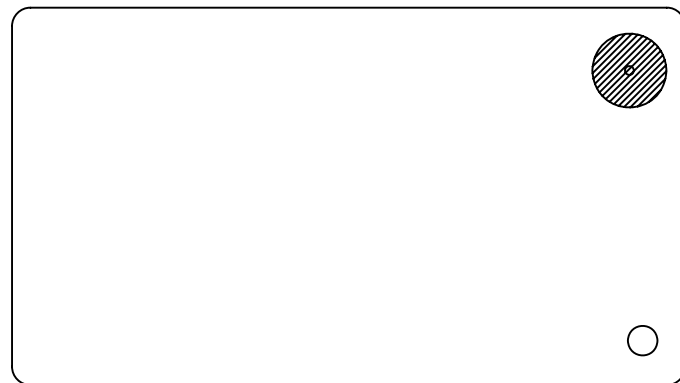
© COPYRIGHT - By -

LOC
HB

DIST
-

REVISIONS

P	LTR	DESCRIPTION	DATE	DWN	APVD
B		CHANGE LOGO&ADD LINE IDENTIFICATION ECO-12-001771	15Jun2012	HYS	YBH



CONNECTION FIGURE

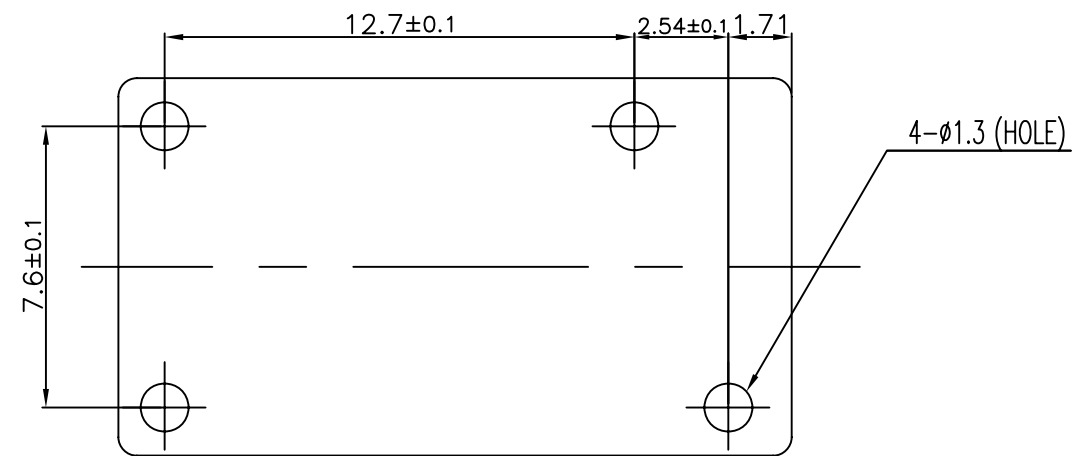
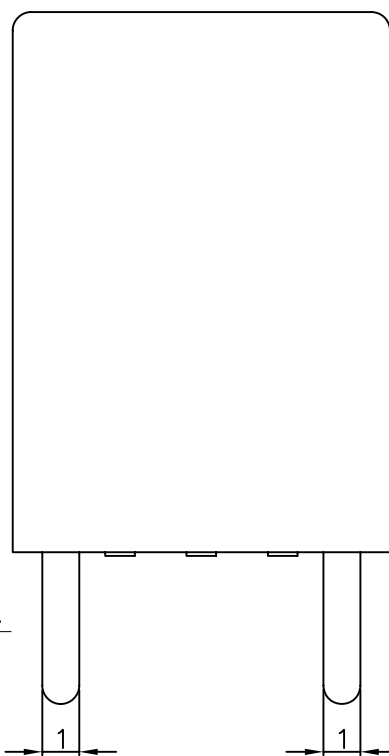
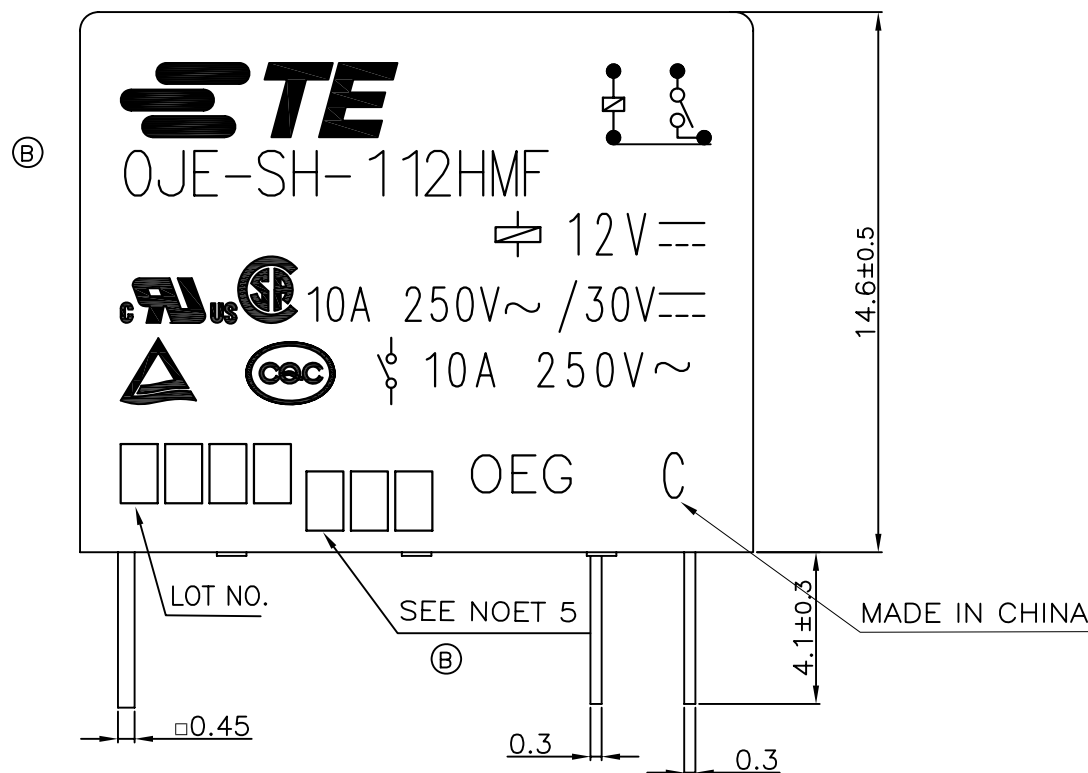
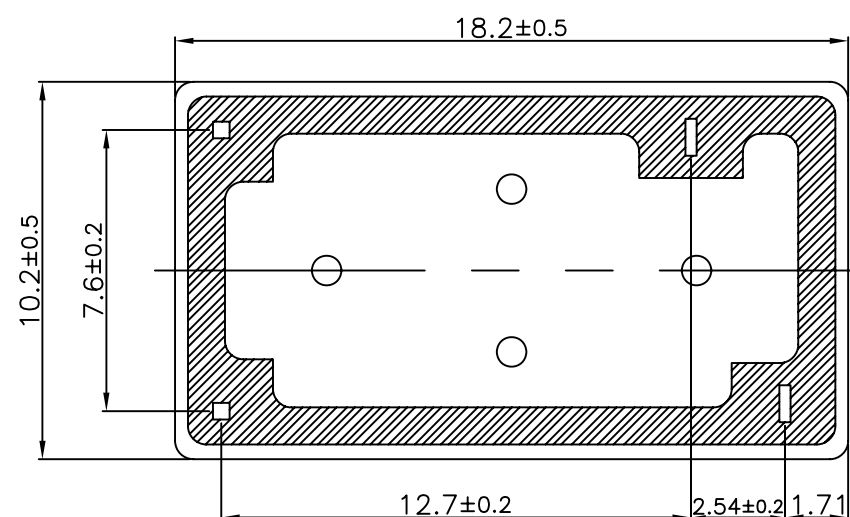


FIGURE FOR PRINTED CIRCUIT BOARD PROCESSING (BOTTOM VIEW)

Diagram dimension	Tolerance
0.99mm max.	±0.1mm
1 - 2.99mm	±0.2mm
3mm min.	±0.3mm



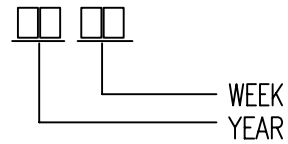
THIS DRAWING IS A CONTROLLED DOCUMENT.		DWN Huang, Yunshou	TE Connectivity		
DIMENSIONS: mm		CHK Yu, Banghua			
TOLERANCES UNLESS OTHERWISE SPECIFIED:		APVD Zhang, Sunny	NAME -		
0 PLC ± -		PRODUCT SPEC -	OJE-SH-HMF, F095 CUSTOMER DRAWING		
1 PLC ± -		APPLICATION SPEC -	SIZE A3	CAGE CODE 00779	DRAWING NO C-4-1419144-7
2 PLC ± -		WEIGHT -	RESTRICTED TO -		REV B
3 PLC ± -		CUSTOMER DRAWING	SCALE 5:1	SHEET 1 of 2	
4 PLC ± -					
ANGLES ± -					
FINISH -					

THIS DRAWING IS UNPUBLISHED. RELEASED FOR PUBLICATION
 © COPYRIGHT - By - TE CONNECTIVITY ALL RIGHTS RESERVED.

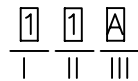
LOC	DIST	REVISIONS					
		P	LTR	DESCRIPTION	DATE	DWN	APVD
HB	-	-	-	SEE SHEET 1	-	-	-

NOTES:

1.LOT NO. SYSTEM AS FOLLOWING:



- ⓑ 2.TERMINAL DIMENSION IS BEFORE SOLDER DIP;
- ⓑ 3.FOR THE TIN-PLATING OF THE PINS:
+0.1mm FOR WIDTH,THICKENSS AND DIAMETER.
+0.5mm FOR LENGTH.
- ⓑ 4.MARKING FROM INK TO LASER.
- ⓑ 5.ADD LOT NO. SYSTEM AS FOLLOWING;



- I, DIGITS FOR DAY OF THE WEEK
1...MONDAY IN THIS WEEK;
2...TUESDAY IN THIS WEEK;
.....
7...SUNDAY IN THIS WEEK
- II, DIGITS FOR SHIFT OF THE DAY
1...DAY SHIFT IN THIS DAY;
2...NIGHT SHIFT IN THIS DAY;
- III, ONE CHARACTER DISTINGUISH THE LINE IDENTITY, SUCH AS: A,B.....Z

4-1419144-7	OJE-SH-112HMF	107-79010	a
TE PART NO	TE TYPE NAME	PACKING SPEC	TYPE

RELAY TYPE

ITEM	DESCRIPTION	MATERIAL	TREATMENT	INCOMBUSTIBILITY
16	SEAL (VENT HOLE)	UV RESIN		
15	SEAL (BASE & BOBBIN)	EPOXY RESIN		
14	MAGNETIC WIRE	3JEW		
13	CASE	P.B.T	94V-0	
12	BASE	P.B.T	94V-0	
11	BOBBIN	P.B.T	94V-0	
10	COIL TERMINAL	C.P WIRE	SOLDER DIP	
9	CARD	P.P.S	94V-0	
8	MOVABLE CONTACT	Ag ALLOY		
7	NO.CONTACT	Ag ALLOY		
6	HINGE SPRING	STEEL		
5	NO.TERMINAL	PBP	SOLDER DIP	
4	MOVABLE SPRING	Cu ALLOY	SOLDER DIP	
3	CORE	STEEL	NIP	
2	ARMATURE	STEEL	NIP	
1	YOKE	STEEL	NIP	

THIS DRAWING IS A CONTROLLED DOCUMENT.		DWN	Huang,Yunshou		
DIMENSIONS: mm		CHK	Yu,Banghua		
TOLERANCES UNLESS OTHERWISE SPECIFIED:		APVD	Zhang,Sunny		
0 PLC ± -		PRODUCT SPEC	-		
1 PLC ± -		APPLICATION SPEC	-		
2 PLC ± -		WEIGHT	-		
3 PLC ± -		 TE Connectivity			
4 PLC ± -					
ANGLES ± -		NAME			
FINISH		OJE-SH-HMF,F095 CUSTOMER DRAWING			
MATERIAL		SIZE	CAGE CODE	DRAWING NO	RESTRICTED TO
-		A3	00779	4-1419144-7	-
CUSTOMER DRAWING			SCALE	SHEET	REV
			5:1	2 of 2	B

单击下面可查看定价，库存，交付和生命周期等信息

[>>TE Connectivity\(泰科\)](#)