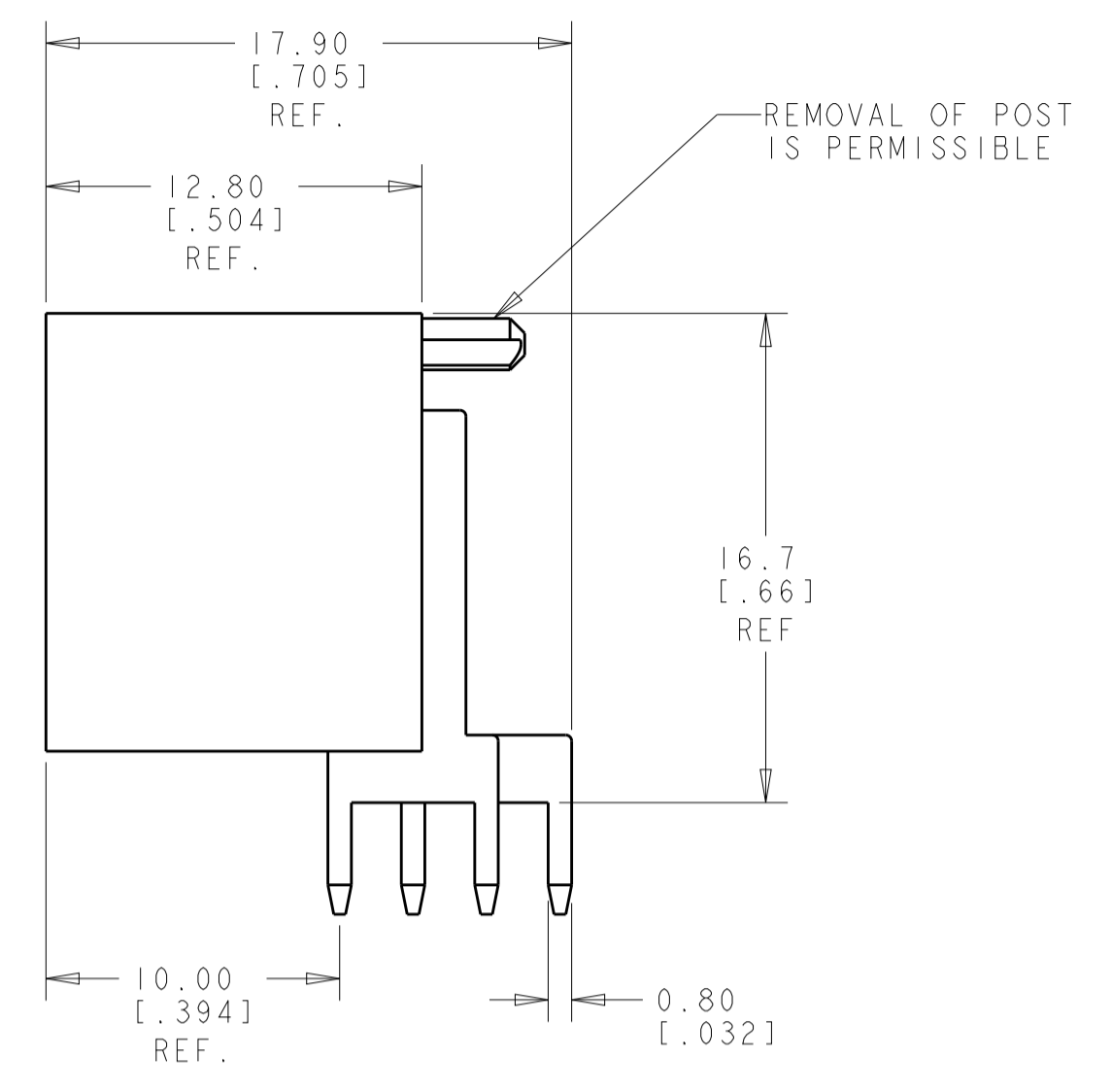
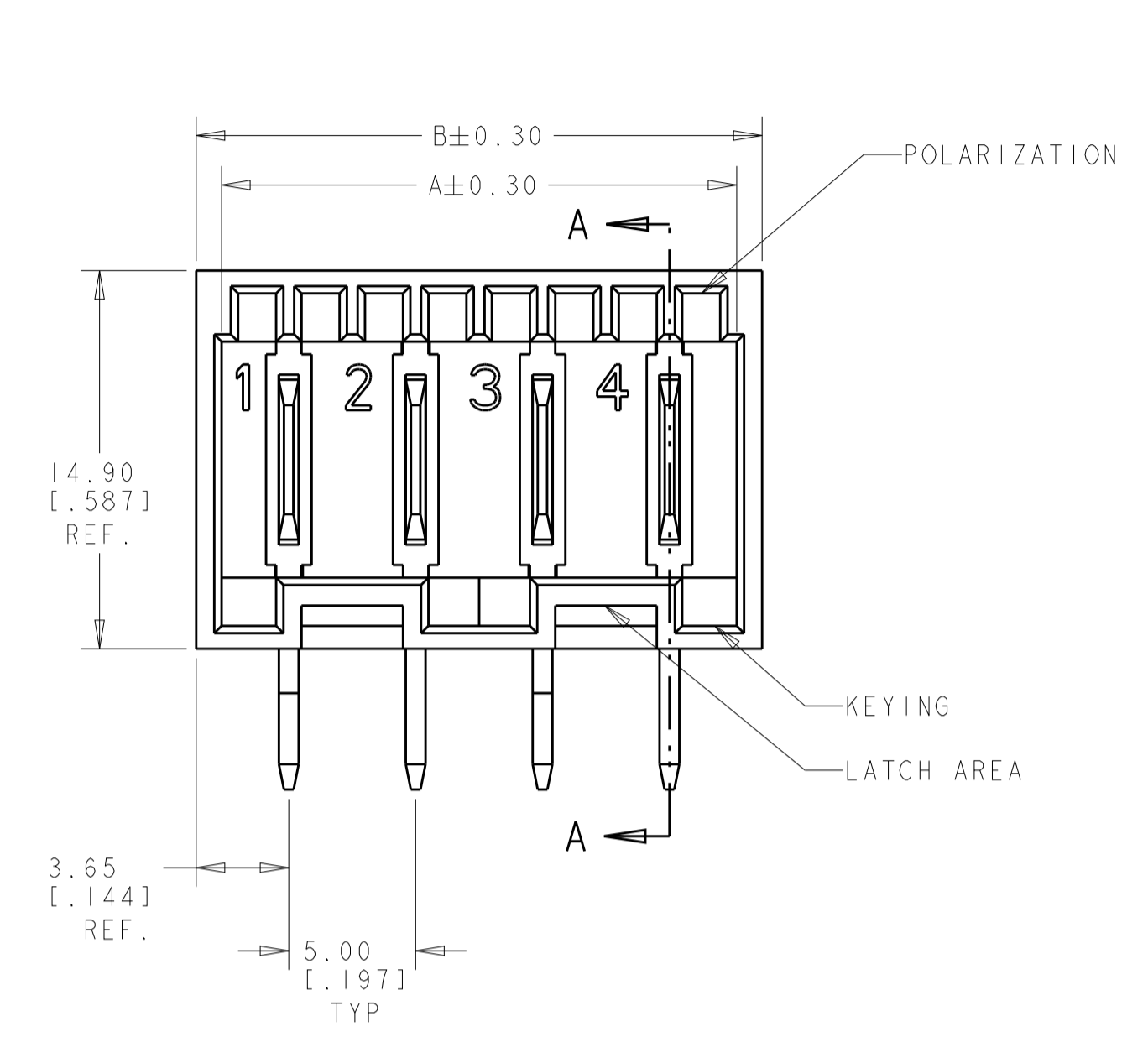
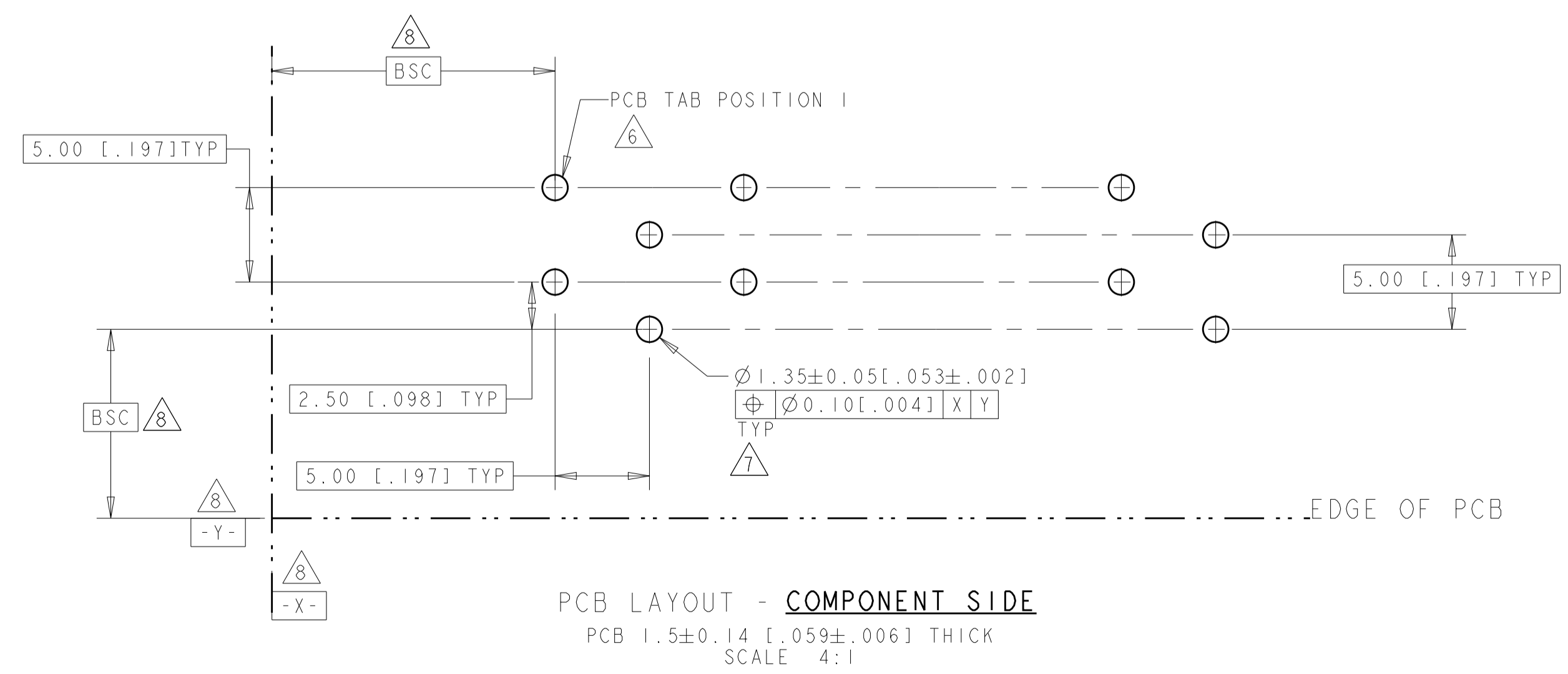
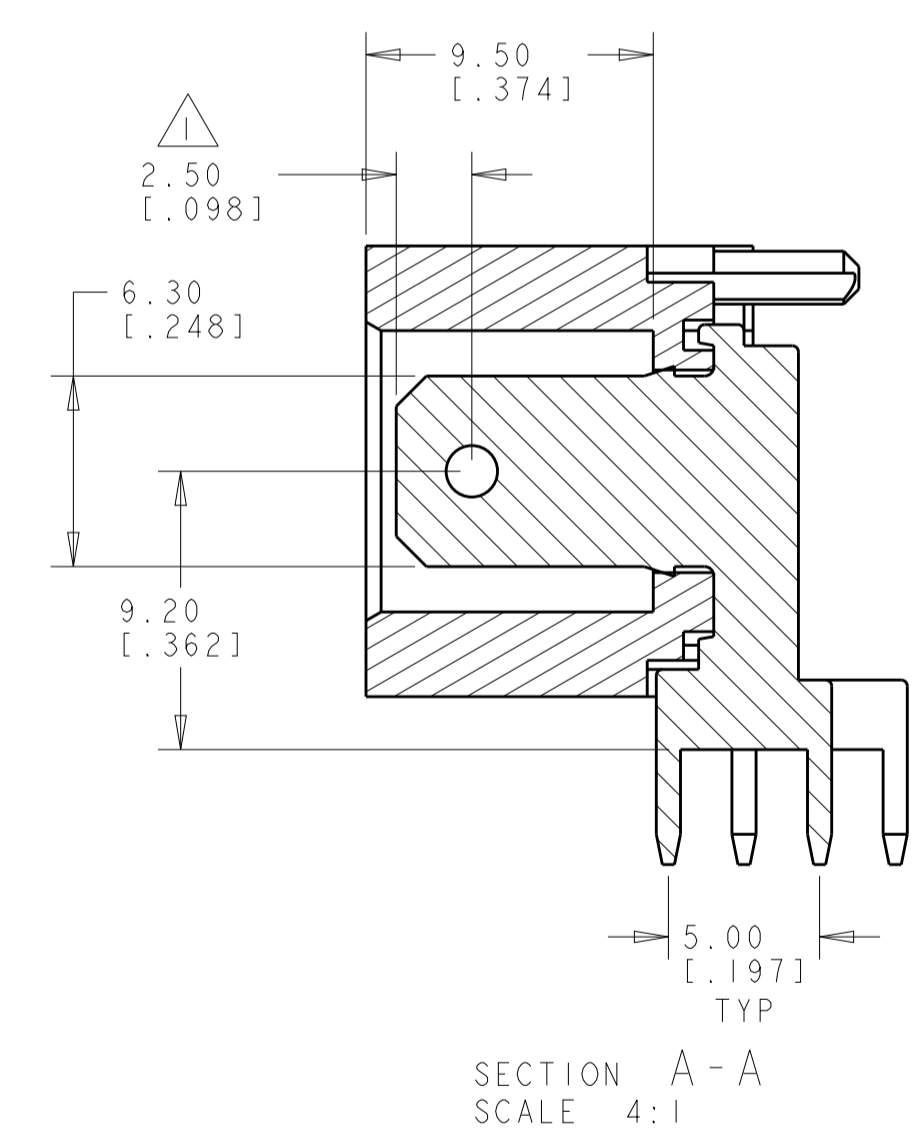
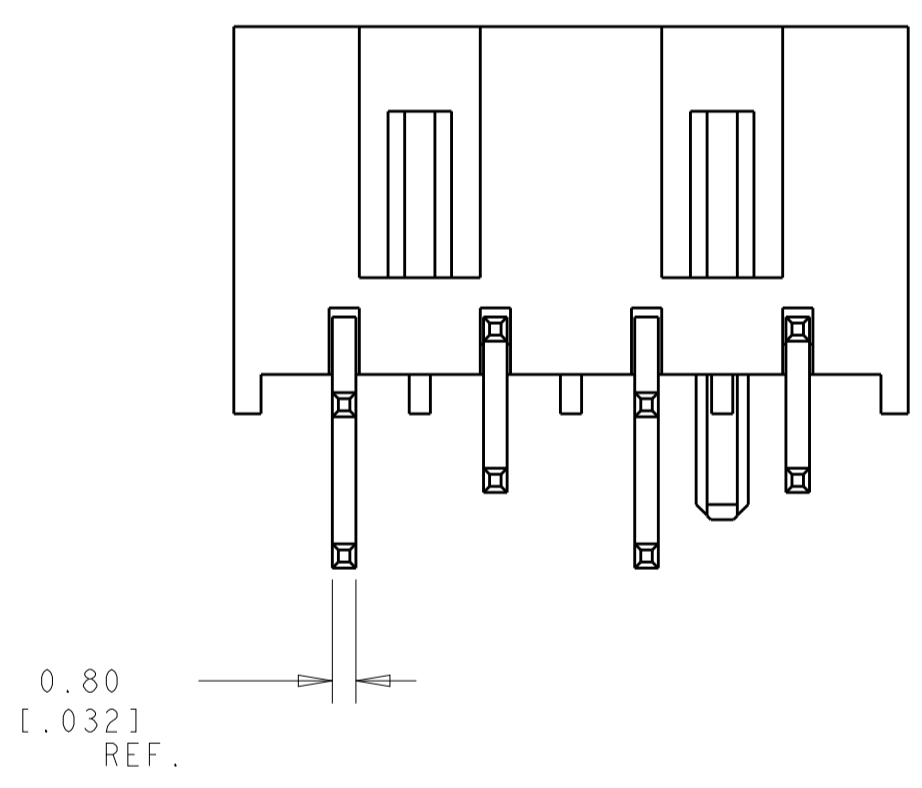


LOC	DIST	REVISIONS			
P	LTN	DESCRIPTION	DATE	DMN	APVD
C2		REVISED PER ECO-12-007073	13APR2012	C. J.	R. P.
C3		ECR-17-017718	07DEC2017	LZ	RR



1. HOUSING HAS RAST 5 COMPLIANT KEYING, LATCHING, AND POLARIZATION. TAB IS 6.3 x 0.8 [.250 x .032], HOWEVER, THE LOCATION OF THE TAB HOLE DOES NOT MEET DIN 46244.
2. POSSIBLE TE CONNECTIVITY MATING CONNECTOR FAMILIES INCLUDE POSITIVE-LOCK RAST 5, STANDARD TIMER RAST 5, MULTIFITTING, MULTIFITTING MKII, AND MONO-SHAPE TAB CONNECTORS.
3. SEE SHEET 2 FOR AVAILABLE CONFIGURATIONS.
4. MATERIAL: HOUSING, NYLON 66, UL 94V-0. CONTACT, BRASS, 0.8 mm THICK.
5. FINISH: CONTACTS, 3.8 μm MIN TIN OVER 1.3 μm MIN NICKEL.
6. PCB TABS INSERTED IN A STAGGERED PATTERN BEGINNING WITH POSITION 1.
7. SELECTED HOLES MAY BE 1.05+0.05/-0.00 DIA [.041+.002/-0.001 DIA] FOR IMPROVED (PRESS-FIT) RETENTION TO P.C.B. PRIOR TO SOLDERING.
8. DATUM AND BASIC DIMENSION ESTABLISHED BY CUSTOMER.
9. PRODUCT QUALIFICATION PER 108-2183
10. PRELIMINARY - NOT FOR PRODUCTION



47.3	45.3	9
42.3	40.3	8
37.3	35.3	7
32.3	30.3	6
27.3	25.3	5
22.3	20.3	4
17.3	15.3	3
12.3	10.3	2
B	A	NO. OF POS.

THIS DRAWING IS A CONTROLLED DOCUMENT.

OWN: R. FLAIG 02MAR2004  
CHK: J. HUMMEL 02MAR2004  
APVD: J. HUMMEL 02MAR2004

DIMENSIONS: mm [INCHES]  
TOLERANCES UNLESS OTHERWISE SPECIFIED:  
0 PLC ±  
1 PLC ±  
2 PLC ±0.25(.010)  
3 PLC ±  
4 PLC ±  
ANGLES ±2°

MATERIAL: 5  
FINISH: 6

PRODUCT SPEC: 108-2183  
APPLICATION SPEC: -

NAME: ASSEMBLY, POSITIVE-LOCK, RAST 5, HEADER, RIGHT ANGLE

SIZE: A1  
CAGE CODE: 521384  
DRAWING NO: 100779

RESTRICTED TO: -


CUSTOMER DRAWING

SCALE: 4:1  
SHEET: 1 OF 3  
REV: C3

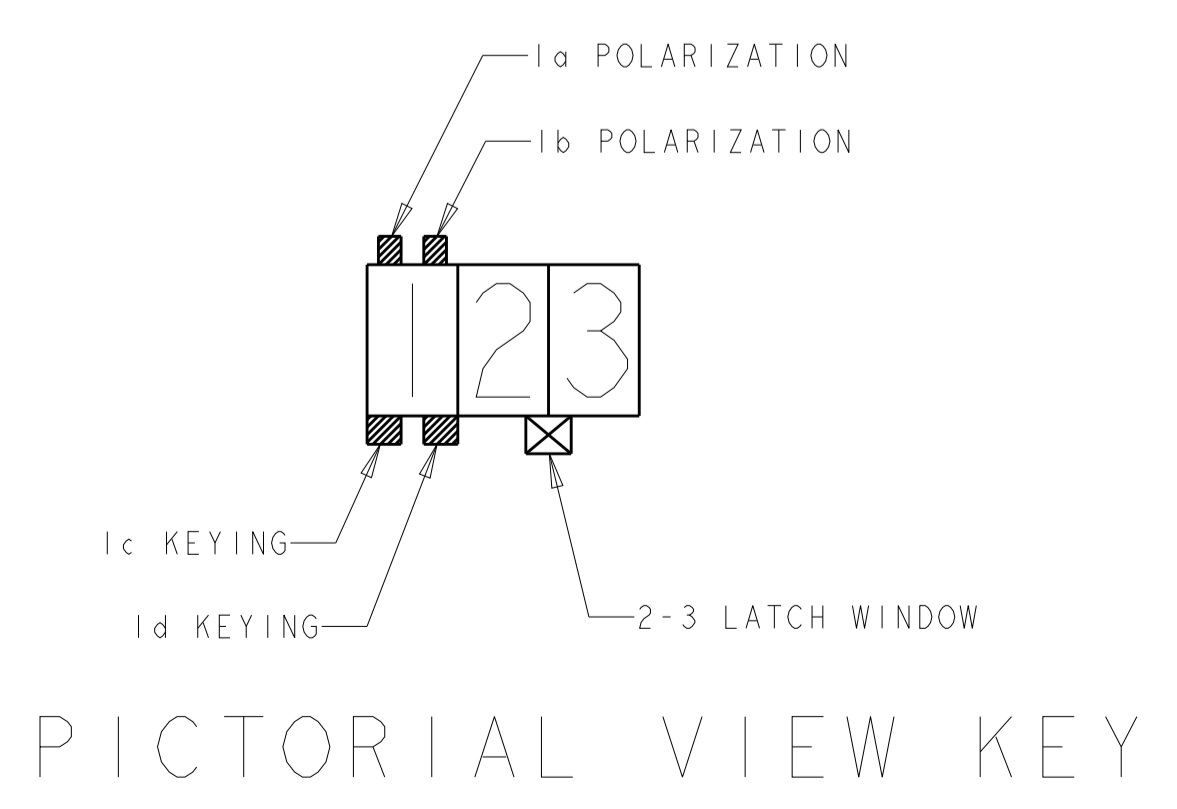
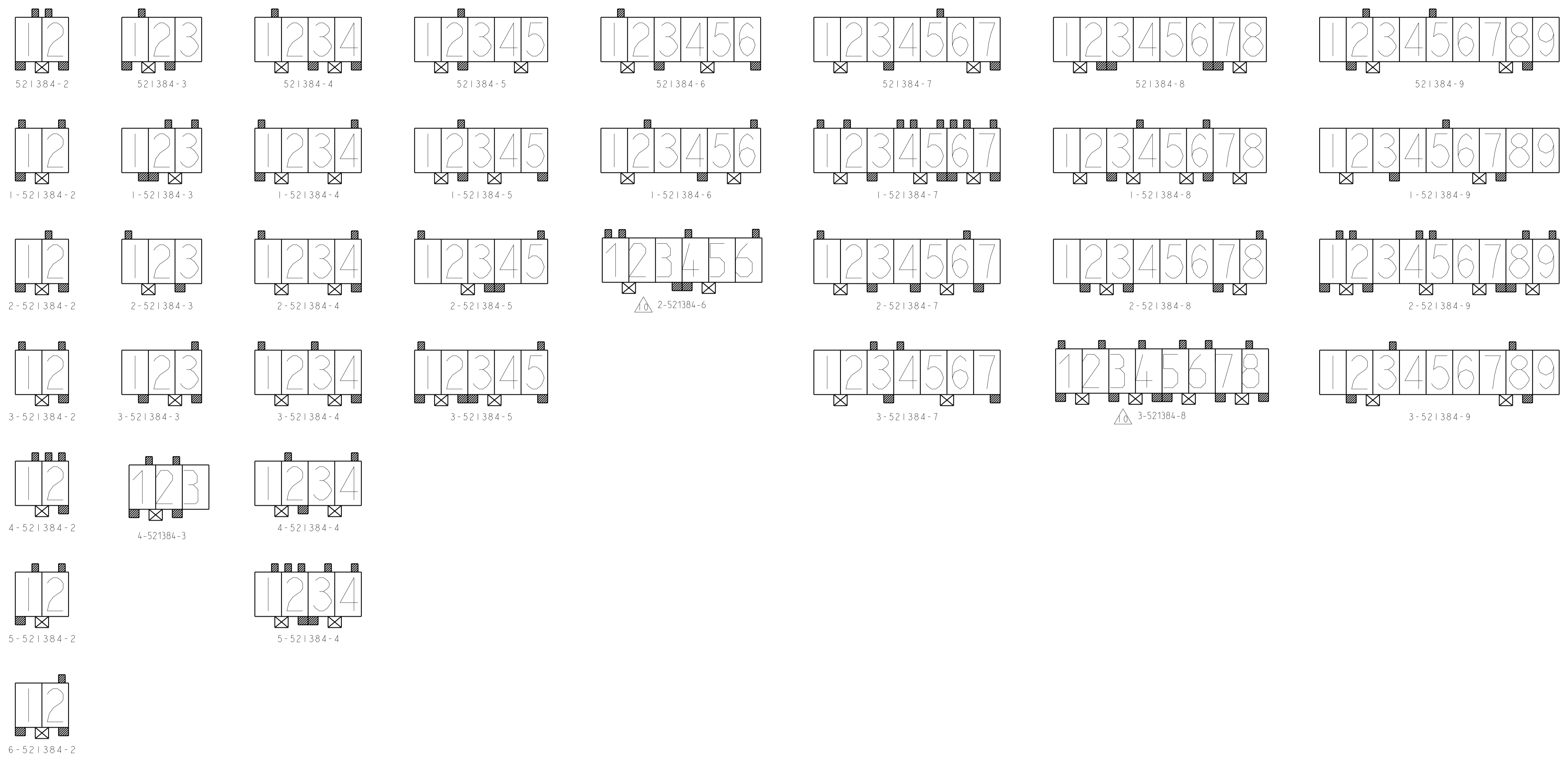
THIS DRAWING IS UNPUBLISHED. RELEASED FOR PUBLICATION 20  
 © COPYRIGHT 20 . ALL RIGHTS RESERVED.

LOC		DIST		REVISIONS			
P	LTN	DESCRIPTION	DATE	DMN	APVD		
-	-	SEE SHEET 1	-	-	-	-	-

1-2	1c, 2d	1b, 2b	3		4-521384-3
2-3, 7-8	2c, 8d	3b, 8a	9	-	△ 3-521384-9
1-2, 4-5, 6-7, 8-9	1c, 2d, 7d, 8c	1b, 2a, 4b, 5a, 8b, 9b	9	-	△ 2-521384-9
1-2, 6-7	3d, 7d	5b	9	09-D	△ 1-521384-9
2-3, 7-8	2c, 8d	2b, 5a	9	09-C	△ 521384-9
1-2, 3-4, 5-6, 7-8	1c, 3c, 4d, 5c, 7c, 8d	1a, 2b, 4a, 5b, 6b, 8a	8		△ 3-521384-8
2-3, 7-8	2c, 3d, 7c	8b	8	08-C	2-521384-8
1-2, 3-4, 5-6, 7-8	3c, 6d	4a, 6b	8	-	1-521384-8
1-2, 7-8	2d, 3c, 6d, 7c	-	8	08-D	521384-8
1-2, 5-6	3d, 7d	3a, 4a	7	-	3-521384-7
1-2, 5-6	3c, 4d, 7c	1a, 6b	7	-	2-521384-7
1-2, 4-5, 6-7	3c, 5d, 6c, 7d	1a, 2a, 4a, 4b, 5b, 6a, 6b, 7b	7	-	1-521384-7
1-2, 6-7	3d, 7d	5b	7	07-C	521384-7
1-2, 4-5	3d, 4c	1a, 1b, 4a, 6b	6		△ 2-521384-6
1-2, 5-6	4d	2b, 6b	6	06-D	1-521384-6
1-2, 4-5	3c, 6d	1b	6	06-A	521384-6
1-2, 3-4	1c, 2d, 3c, 5d	1a, 5b	5	-	3-521384-5
2-3	3d, 4c	1a, 5b	5	-	2-521384-5
1-2, 3-4	2d, 5d	2b	5	-	1-521384-5
1-2, 4-5	2d	2b	5	05-B	521384-5
1-2, 3-4	2d, 3c	1b, 2a, 2b, 3b, 4b	4	-	5-521384-4
1-2, 3-4	2d	2a, 4b	4	04-G	4-521384-4
1-2, 3-4	4d	1a, 3a	4	04-F	3-521384-4
1-2, 3-4	4d	1a, 4b	4	04-C	2-521384-4
1-2, 3-4	1c	1a, 4b	4	04-B	1-521384-4
1-2, 3-4	3c, 4d	1b	4	04-A	521384-4
2-3	1d, 3d	3b	3	-	3-521384-3
1-2	3c	1a	3	03-D	2-521384-3
2-3	1d, 2c	2b, 3b	3	03-B	1-521384-3
1-2	1c, 2d	1b	3	03-A	521384-3
1-2	1c, 2d	2b	2	02-P	6-521384-2
1-2	1c	1b, 2b	2	02-I	5-521384-2
1-2	2d	1b, 2a, 2b	2	02-G	4-521384-2
1-2	2d	1a, 2b	2	02-E	3-521384-2
1-2	1c, 2d	2a	2	02-C	2-521384-2
1-2	1c	1a, 2b	2	02-B	1-521384-2
1-2	1c, 2d	1b, 2a	2	02-A	521384-2
LATCH WINDOWS	KEYING	POLAR.	NO. OF POS.	RAST 5 DESIG.	PART NUMBER

THIS DRAWING IS A CONTROLLED DOCUMENT.		DMN R. FLAIG 02MAR2004	 TE Connectivity	
DIMENSIONS: mm [INCHES]		CHK J. HUMMEL 02MAR2004	NAME ASSEMBLY, POSITIVE-LOCK, RAST 5, HEADER, RIGHT ANGLE	
TOLERANCES UNLESS OTHERWISE SPECIFIED:		APVD J. HUMMEL 02MAR2004	PRODUCT SPEC 108-2183	
0 PLC ± 1 PLC ±0.251(.010) 2 PLC ± 3 PLC ± 4 PLC ± ANGLES ±2°		APPLICATION SPEC		
MATERIAL	FINISH	WEIGHT	SIZE A100779	CAGE CODE 521384
CUSTOMER DRAWING		SCALE 4:1	DRAWING NO. 2	SHEET 2 OF 3
		REV C3		

LOC	DIST	REVISIONS			
P	LTN	DESCRIPTION	DATE	DWN	APVD
AF	50	SEE SHEET 1			



THIS DRAWING IS A CONTROLLED DOCUMENT.		DWN R FLAIG 02MAR2004	TE Connectivity
DIMENSIONS: mm [ INCHES ]		CHK J HUMMEL 02MAR2004	
TOLERANCES UNLESS OTHERWISE SPECIFIED:		APVD J HUMMEL 02MAR2004	NAME ASSEMBLY, POSITIVE-LOCK, RAST 5, HEADER, RIGHT ANGLE
0 PLC ±	1 PLC ±	PRODUCT SPEC	SIZE CAGE CODE DRAWING NO RESTRICTED TO
2 PLC ±0.25(.010)	3 PLC ±	108-2183	A100779C=521384
4 PLC ±	5 PLC ±	APPLICATION SPEC	SCALE 4:1 SHEET 3 OF 3 REV C3
ANGLES ±2°	FINISH	WEIGHT	CUSTOMER DRAWING

单击下面可查看定价，库存，交付和生命周期等信息

[>>TE Connectivity\(泰科\)](#)