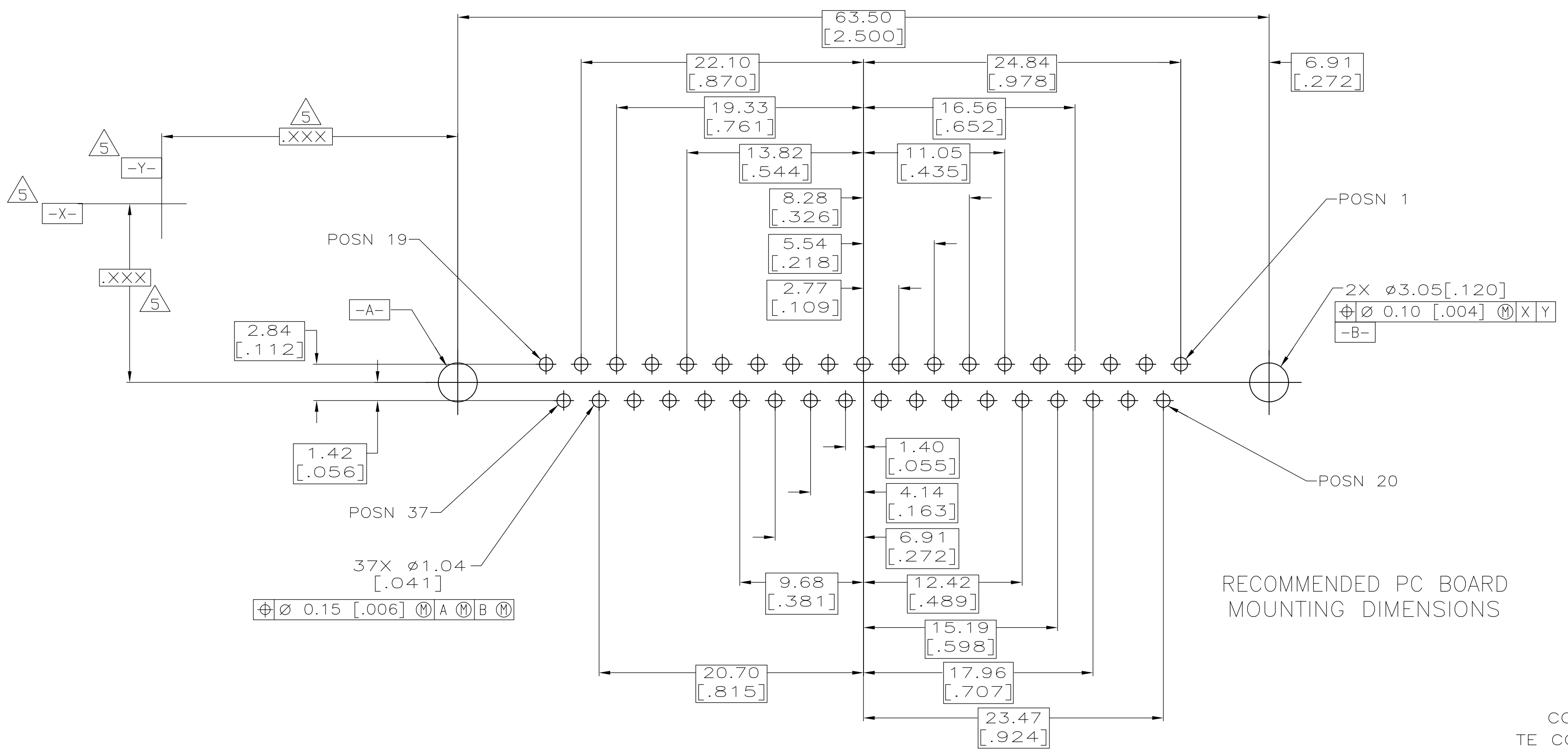
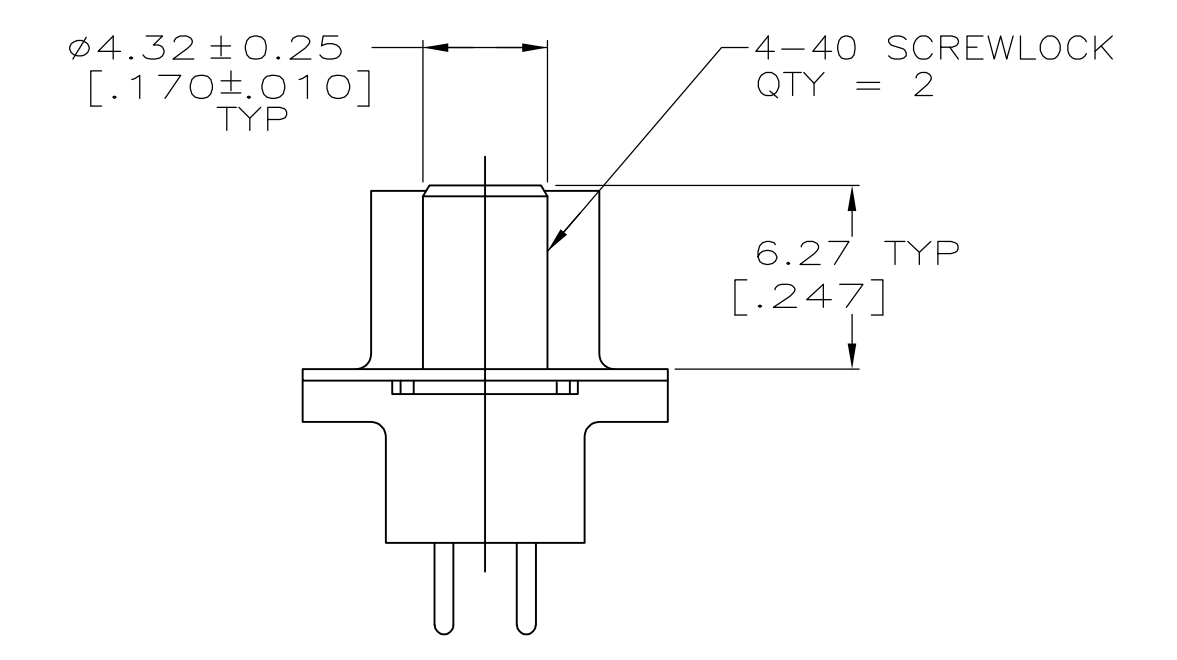
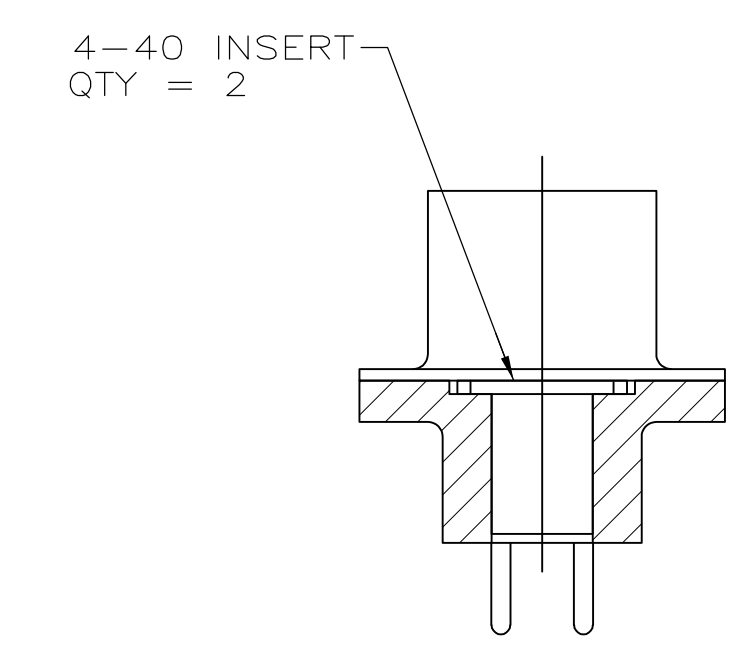
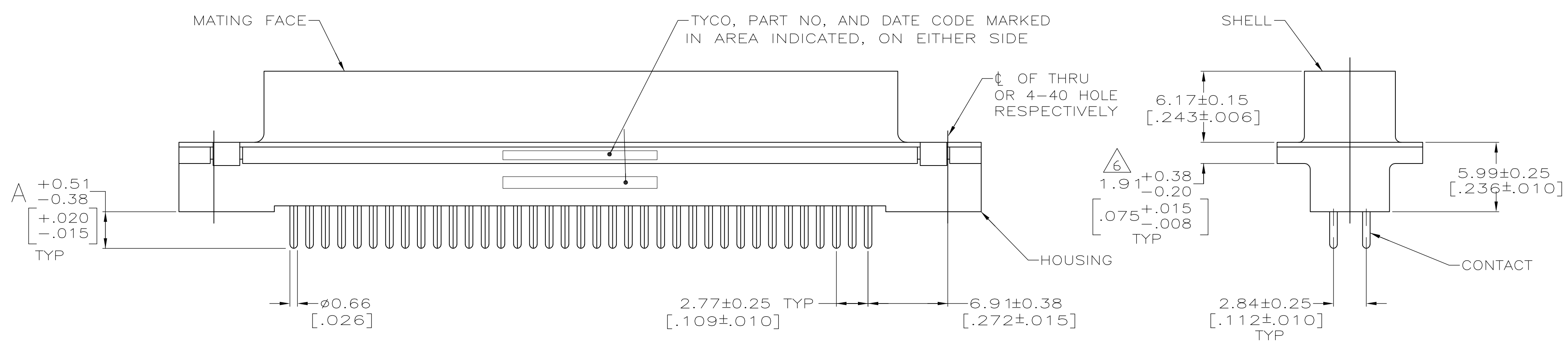


- 1 HOUSING: BLACK POLYESTER, UL 94V-0 RATED
CONTACTS: PHOSPHOR BRONZE
SHELL: CARBON STEEL
SCREWLOCKS: ZINC
INSERTS: BRASS
- 2 SHELL: 5.08µm[.000200] MIN TIN OVER 2.54µm[.000100] MIN COPPER.
CONTACTS: SEE TABLE
INSERTS: UNPLATED
SCREWLOCKS: CLEAR CHROMATE.
- 3 GOLD FLASH FOR A LENGTH OF 2.54 [.100] MIN FROM MATING END, 2.54µm[.000100] MIN TIN ON OPPOSITE END, BOTH OVER 1.27µm[.000050] MIN NICKEL.
- 4 0.76µm[.000030] MIN GOLD FOR A LENGTH OF 2.54 [.100] MIN FROM MATING END, 2.54µm[.000100] MIN TIN ON OPPOSITE END, BOTH OVER 1.27µm[.000050] MIN NICKEL.
- 5 DATUMS AND BASIC DIMENSIONS ESTABLISHED BY CUSTOMERS.
- 6 2.79 [.110] MAX IN SHELL TAB CLINCH AREAS.



| | | | |
|-------------|---------------------------|----------------|-------------|
| 4.32 [.170] | 4-40 SCREWLOCK (DETAIL E) | 4 | 1-5747301-6 |
| 3.18 [.125] | 4-40 SCREWLOCK (DETAIL E) | 4 | 1-5747301-4 |
| 3.18 [.125] | 4-40 INSERT (DETAIL D) | 4 | 5747301-8 |
| 3.18 [.125] | 4-40 INSERT (DETAIL D) | 3 | 5747301-7 |
| 3.18 [.125] | - | 1 | 5747301-2 |
| A | MOUNTING HARDWARE | CONTACT FINISH | PART NO |

| | | | |
|--|------------|----------------------------|--|
| THIS DRAWING IS A CONTROLLED DOCUMENT. | | OWN: B. LATUCCA 22SEPT05 | NAME |
| DIMENSIONS: mm[INCHES] | | CHK: S. BOLASH 22SEPT05 | RECEPTACLE ASSEMBLY, SIZE 4, 37 POSN, VERTICAL, FRONT METAL SHELL, AMPLIMITE HD-20 |
| TOLERANCES UNLESS OTHERWISE SPECIFIED: | | APVD: M. WALMSLEY 22SEPT05 | SIZE: CAGE CODE: DRAWING NO: 108-40025 |
| 0 PLC ± - | 1 PLC ± - | PRODUCT SPEC | 114-40023 |
| 2 PLC ± 0.13 [005] | 3 PLC ± - | APPLICATION SPEC | 114-40023 |
| 4 PLC ± - | ANGLES ± - | WEIGHT | A1 00779 |
| MATERIAL | FINISH | CUSTOMER DRAWING | SCALE: 4:1 SHEET 1 OF 1 REV A1 |

COPYRIGHT 2005
TE CONNECTIVITY CORP
ALL RIGHTS RESERVED

单击下面可查看定价，库存，交付和生命周期等信息

[>>TE Connectivity\(泰科\)](#)