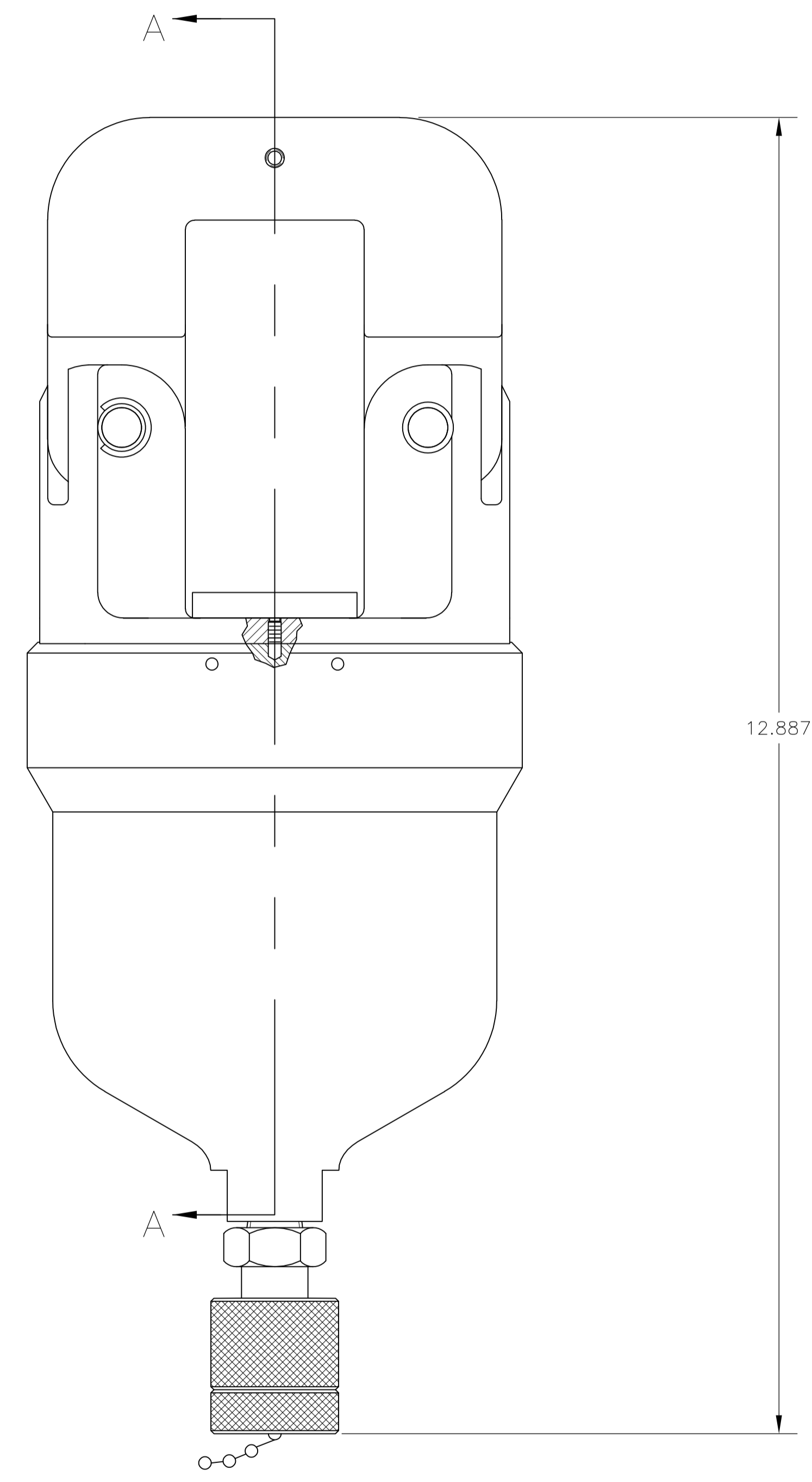


SECTION A-A



12.887

THIS DRAWING IS A CONTROLLED DOCUMENT.		DWN M. YOUNGER 09JUN2008	Tyco Electronics Corporation Harrisburg, PA 17105-3608
DIMENSIONS: INCHES		CHK M. HOUSER 09JUN2008	
TOLERANCES UNLESS OTHERWISE SPECIFIED:		APVD M. HOUSER 09JUN2008	NAME HEAD ASSEMBLY
0 PLC ± -		PRODUCT SPEC	
1 PLC ± -		APPLICATION SPEC	
2 PLC ± .02			
3 PLC ± -			
4 PLC ± -			
ANGLES ± -			
MATERIAL -	FINISH -	WEIGHT -	RESTRICTED TO -
CUSTOMER DRAWING		SIZE A1	CAGE CODE 00779
		DRAWING NO 58422	SCALE 1:1
		SHEET 1	OF 1
		REV A	

单击下面可查看定价，库存，交付和生命周期等信息

[>>TE Connectivity\(泰科\)](#)