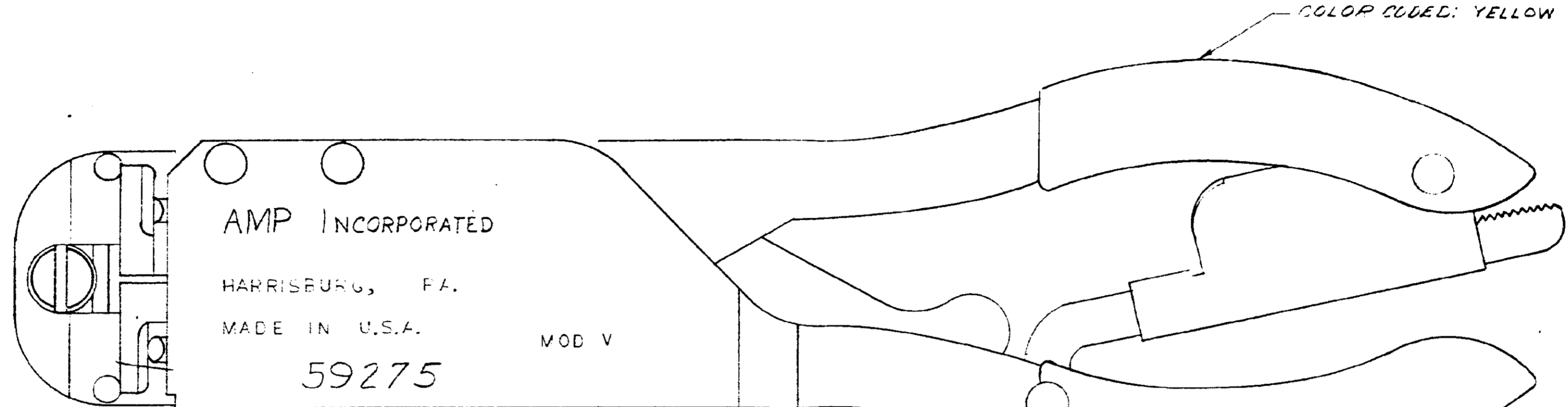
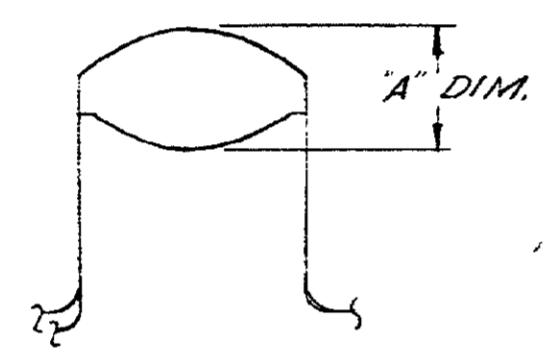


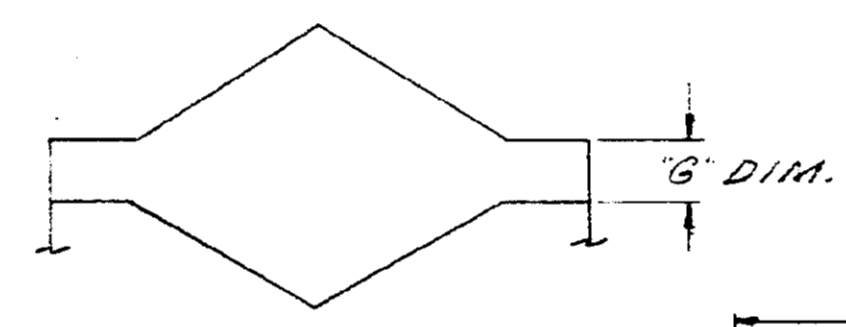
NUMBER 59275



NOTE:
 1. WHEN PLUG OR SLUG GAGING OF BARREL CRIMP IT IS IMPORTANT TO NOTE THAT DIMENSION "A" IS THE FIGURE REQUIRED
 PLUG GAGE DIMENSIONS APPLY WHEN TOOL IS BOTTOMED BUT NOT UNDER PRESSURE.



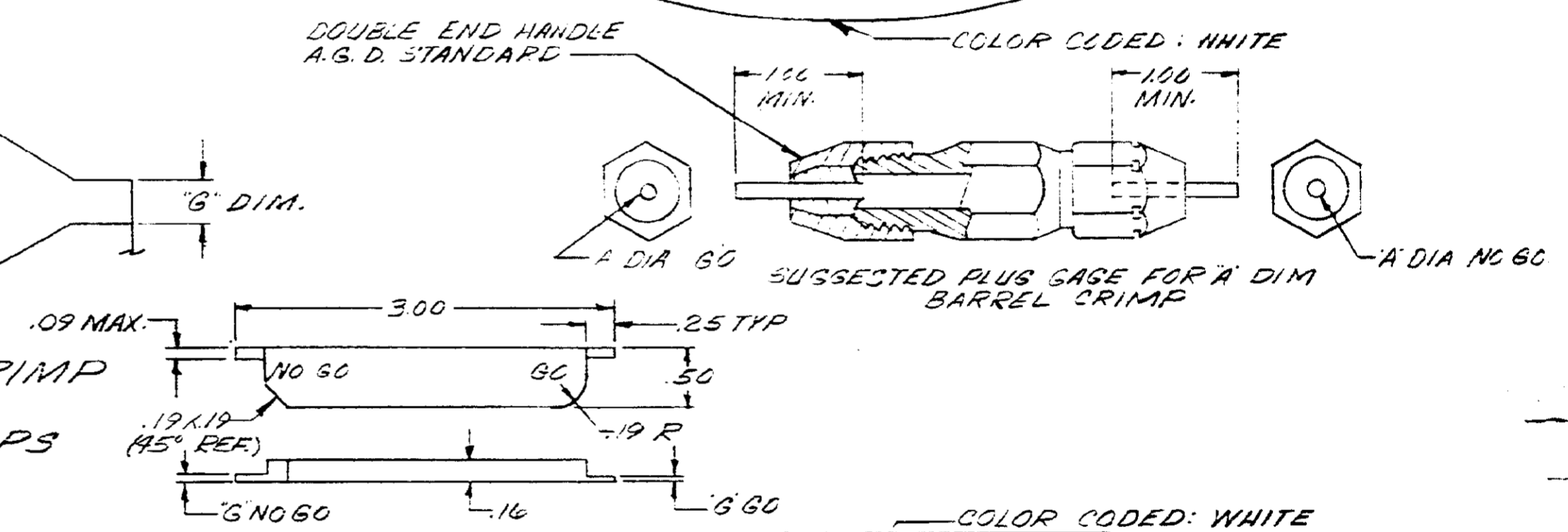
BARREL - CRIMP



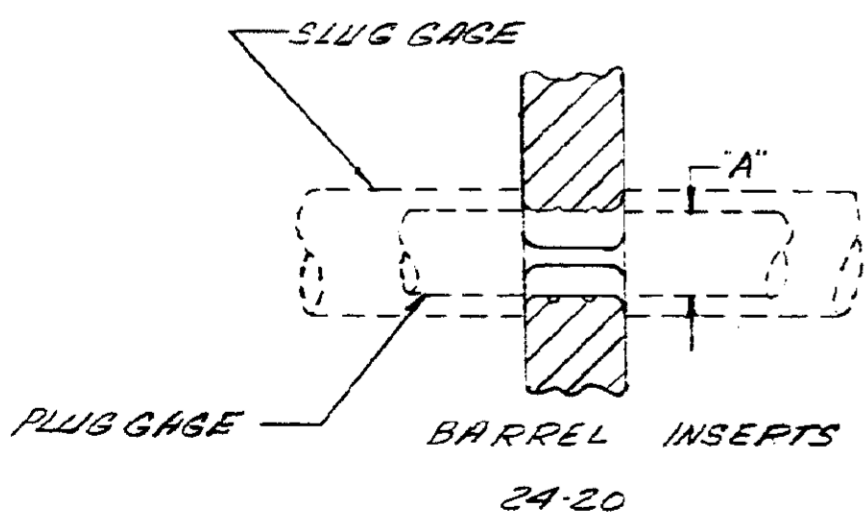
INSULATION - CRIMP

ENLARGED VIEW OF CRIMPS

| WIRE SIZE | "A" DIA. | | "G" DIM. | |
|-----------|--------------|--------------|--------------|-----------------|
| | BARREL CRIMP | INSUL. CRIMP | BARREL CRIMP | INSUL. CRIMP |
| GAGE | GO | NC GO | GO AT POS #1 | NC GO AT POS #4 |
| 26-22 | .063 | .069 | .025 | .075 |
| 24-20 | .089 | .095 | .035 | .085 |

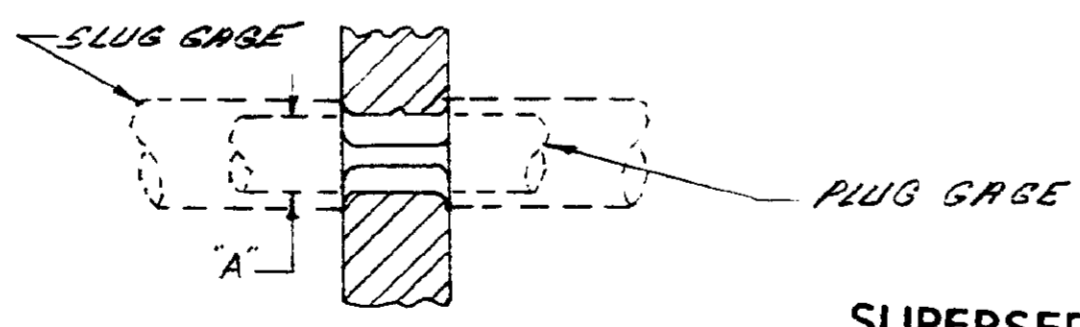


SUGGESTED PLUG GAGE FOR "G" DIM. INSULATION CRIMP



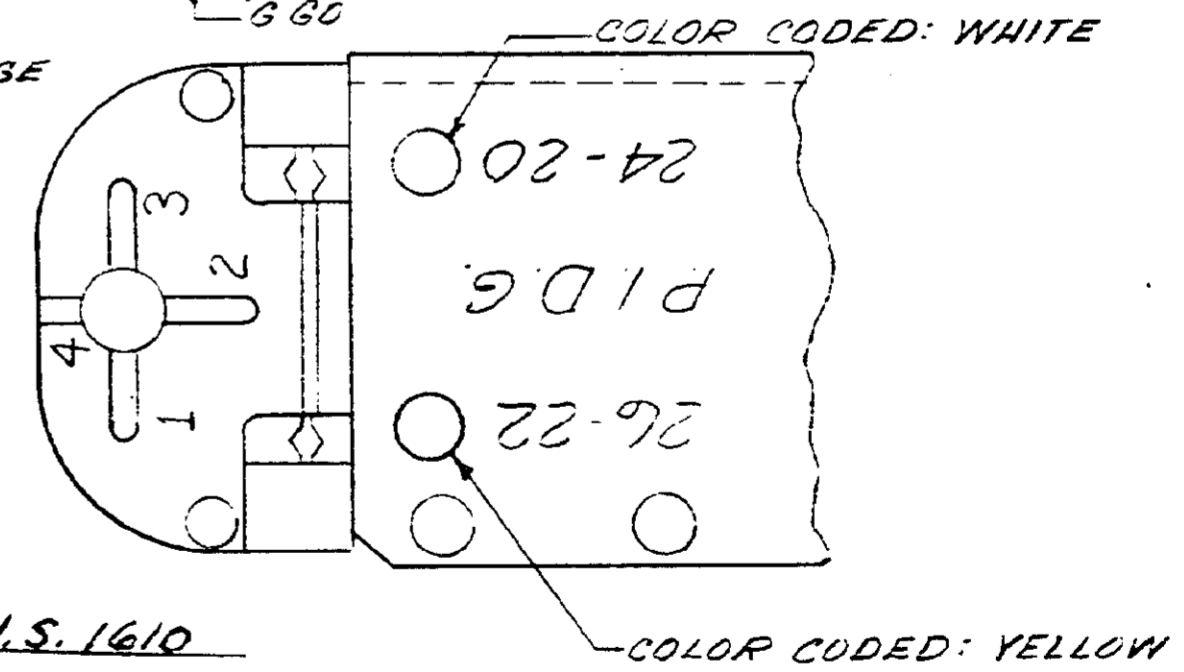
BARREL INSERTS

24-20



BARREL INSERTS

26-22



SUPERSEDED BY I.S. 1610

DIMENSIONS IN INCHES DO NOT SCALE PRINT

| REV | DESCRIPTION | DATE |
|-----|------------------|----------|
| VI | SUB BY I.S. 1610 | 12-31-62 |
| V | REVISED | 12-31-62 |
| LTR | REVISION RECORD | ECH |

| REQUIRED PER ASSEMBLY | DWG SIZE | NUMBER | NAME | REMARKS | ITEM NO. |
|-----------------------|----------|--------|------|---|----------|
| | | | | AMP PRODUCTS COVERED BY PATENTS AND/OR PATENTS PENDING. | |
| | | | | CUSTOMER COPY REFERENCE ONLY | |
| | | | | AMP INCORPORATED HARRISBURG, PENNA. | |
| | | | | CLASS | |
| | | | | WIRE - RANGE - INSULATION | |
| | | | | 26-22 | |
| | | | | TOLERANCE EXCEPT AS NOTED | |
| | | | | SCALE | |
| | | | | 1" = 1" 0 | |
| | | | | LOC | |
| | | | | MC | |
| | | | | NO. 59275 | |
| | | | | REV | |
| | | | | VI | |
| | | | | NAME | |
| | | | | T HEAD ASSEMBLY MOD V | |

单击下面可查看定价，库存，交付和生命周期等信息

[>>TE Connectivity\(泰科\)](#)