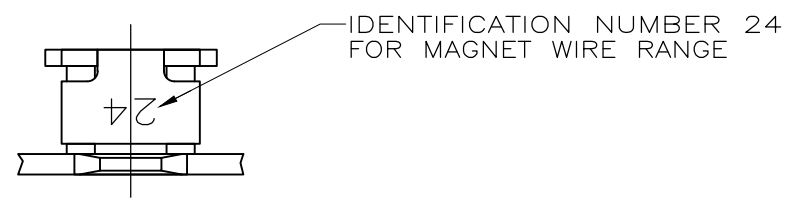
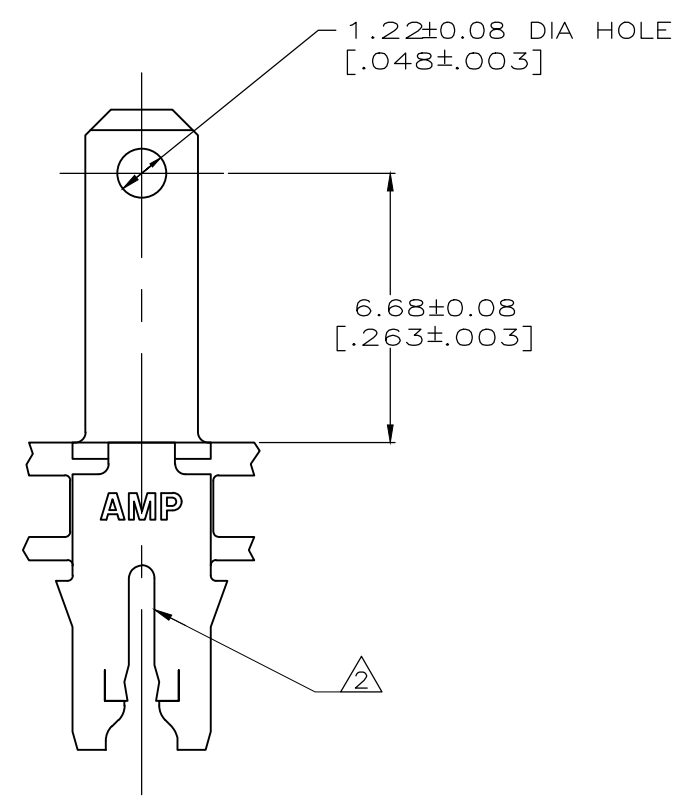
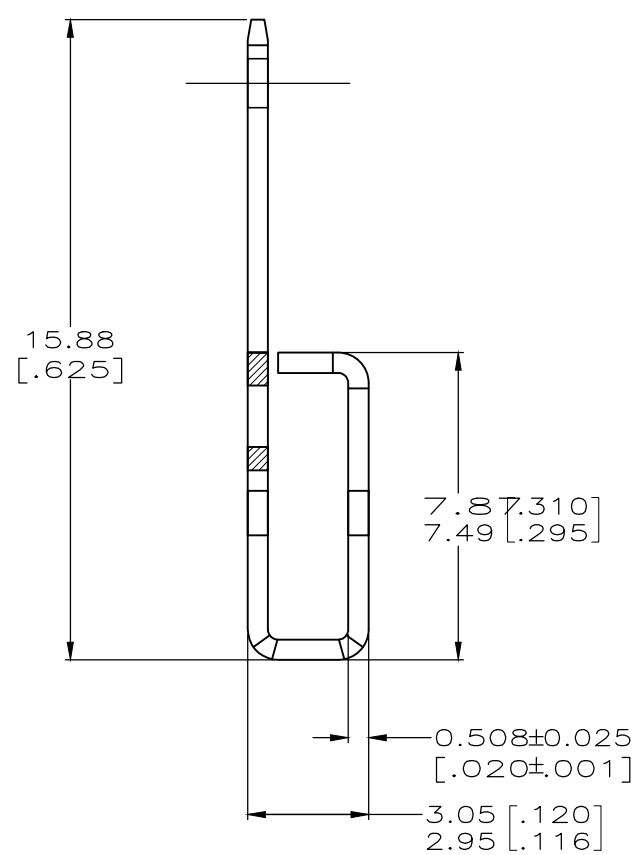
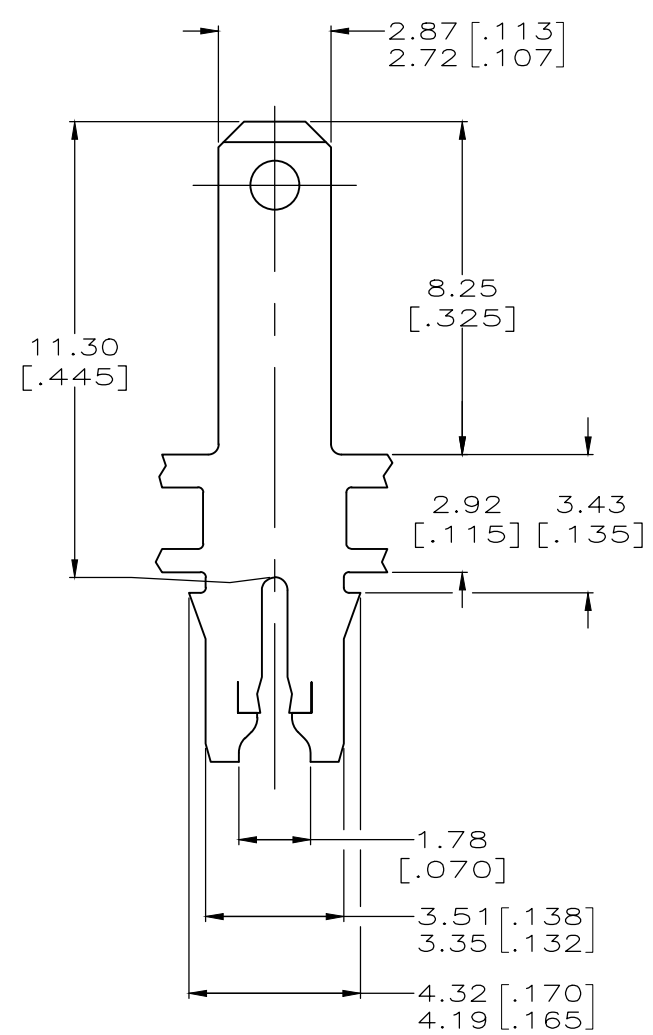


THIS DRAWING IS UNPUBLISHED. RELEASED FOR PUBLICATION
 © COPYRIGHT - By - ALL RIGHTS RESERVED.

LOC	DIST	REVISIONS					
AF	50	P	LTR	DESCRIPTION	DATE	DWN	APVD
		G		WIRE SIZE EXTENDED TO 16.5AWG	11NOV2019	JA	PKS



- 1 CONTINUOUS STRIP ON REELS WITH TERMINALS LOCATED ON 5.59±0.08 [.220±.003] CENTERS.
- △ SLOTTED TERMINATES A SINGLE MAGNET WIRE ONLY.
- COPPER RANGE: 0.91-1.20mm [#19-#16.5] AWG.
- ALUMINUM RANGE: 0.95-1.20mm [#18.5-#16.5] AWG.
- ALUMINUM WIRE RANGE APPLIES FOR POST-TIN PLATED VERSIONS ONLY.



63145-1
PART NUMBER

THIS DRAWING IS A CONTROLLED DOCUMENT.		DWN MICHAEL S. FEHER 30MAR2001	TE Connectivity	
DIMENSIONS: mm		CHK KURT A. RANDOLPH 30MAR2001		
TOLERANCES UNLESS OTHERWISE SPECIFIED:		APVD KURT A. RANDOLPH 30MAR2001	NAME TERMINAL, TAB, 2.79 [.110] FASTON, 300 SERIES MAG-MATE	
0 PLC ± - 1 PLC ± - 2 PLC ± 0.25 [.010] 3 PLC ± - 4 PLC ± - ANGLES ± -		PRODUCT SPEC 108-2012	RESTRICTED TO	
MATERIAL BRASS		FINISH TIN PLATED	APPLICATION SPEC 114-2046	SIZE A3
		WEIGHT -	CAGE CODE 00779	DRAWING NO G-63145
		CUSTOMER DRAWING	SCALE 8:1	SHEET 1 OF 1
			REV G	

单击下面可查看定价，库存，交付和生命周期等信息

[>>TE Connectivity\(泰科\)](#)