

LOC AI	DIST 00	REVISIONS				
P	LTR	DESCRIPTION	DATE	DWN	APVD	
B		ECR-16-009610	04 JUL16	LS	GS	

STRIP TOOL, AWG 28-10



Für Querschnitte /
For cross section
0.08mm² - 6.0mm² / AWG 28 - 10



Abmessungen / Dimension
Länge/Length: 193 mm
Breite/Width: 103 mm
Tiefe/Depth: 17 mm


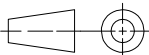
Bedienungsanleitung /
Operating instructions
408-8907

RELEASED FOR PUBLICATION

ALL INTERNATIONAL RIGHTS RESERVED.

© COPYRIGHT - BY TYCO ELECTRONICS CORPORATION.

THIS DRAWING IS UNPUBLISHED.

DIMENSIONS: mm	DWN L.Sandhu	06DEC2010	MATERIAL	FINISH
	CHK L.Sandhu	06DEC2010	 TE Connectivity	
TOLERANCES UNLESS OTHERWISE SPECIFIED:	APVD L.Sandhu	06DEC2010		
	0 PLC ± -	PRODUCT SPEC	Abisolierwerkzeug	RESTRICTED TO
1 PLC ± -	APPLICATION SPEC	SIZE	CAGE CODE	DRAWING NO
2 PLC ± -	WEIGHT	A4	00779	734185-1
3 PLC ± -	CUSTOMER DRAWING	SCALE		SHEET
4 PLC ± -		1 OF 1		REV B
ANGLES ± -				

单击下面可查看定价，库存，交付和生命周期等信息

[>>TE Connectivity\(泰科\)](#)