

THIS DRAWING IS UNPUBLISHED. RELEASED FOR PUBLICATION ,1995
 © COPYRIGHT 1995 ALL RIGHTS RESERVED.

LOC		DIST		REVISIONS		
P	LTR	DESCRIPTION		DATE	DWN	APVD
	D	REVISED PER ECR-16-008312		08JUN16	K.K	E.T

注記

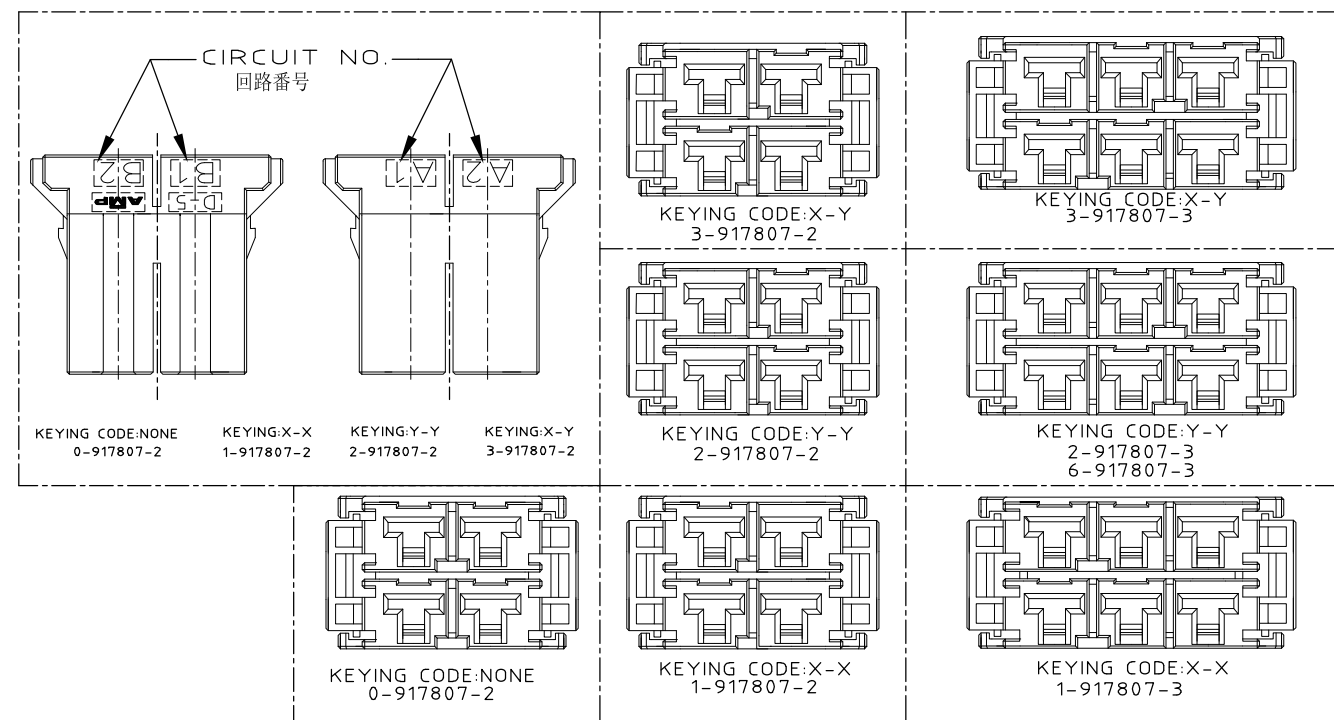
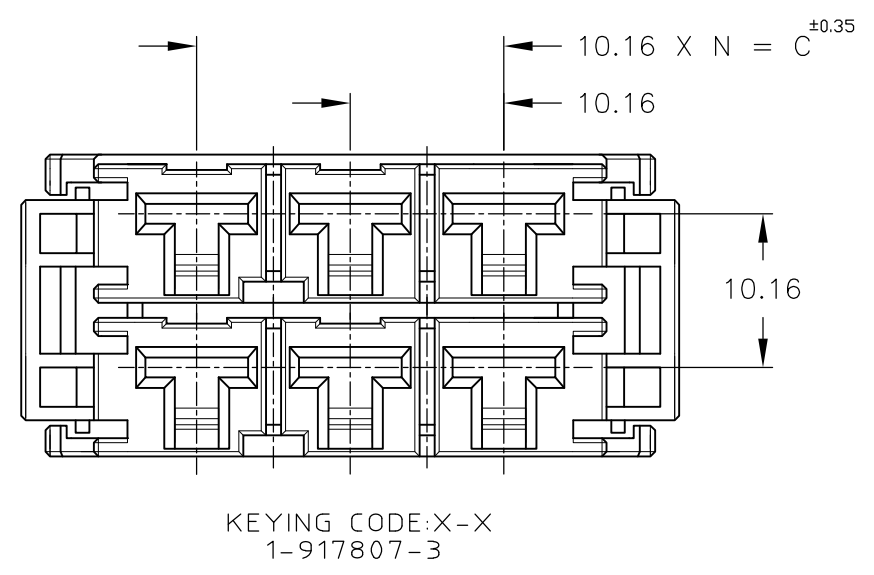
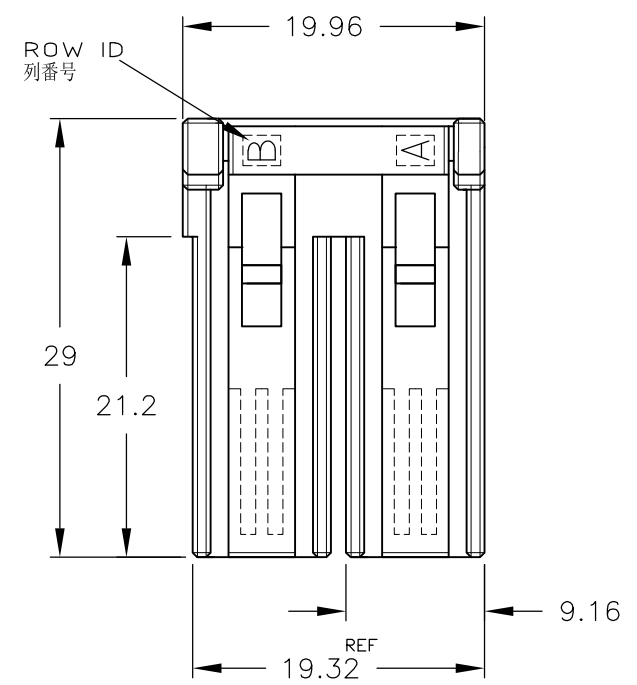
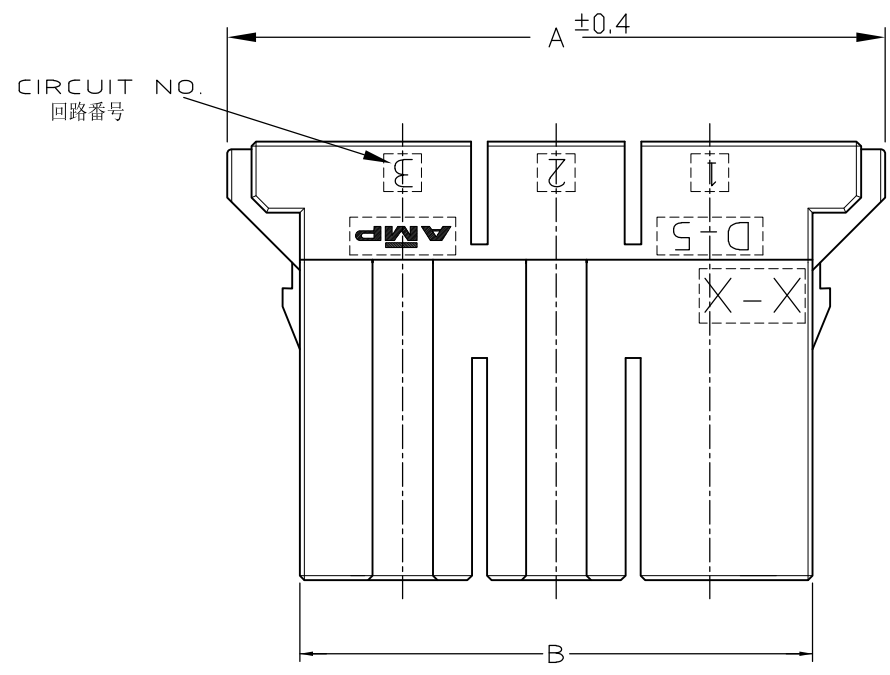
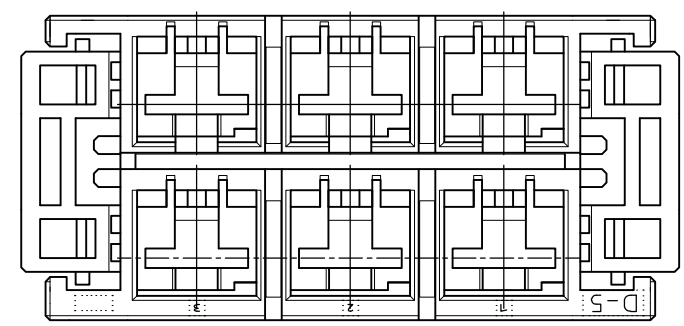
① 材料 ハウジングガラス入り熱可塑性
 ポリエステル樹脂(94V-0),色黒

② ~~ハウジング全面にテフロン塗装のこと~~

NOTES

① MATERIAL:HOUSING:GLASS FILED THERMO PLASTIC
 ,POLYESTER(94V-0),COLOR:BLACK

② ~~TO COAT ALL SURFACE OF HOUSING WITH TEFLON~~



OBSOLETE		YELLOW	20.32	33.92	43.52	2	6	6-917807-3
		BLACK						5-917807-3
		BLACK						3-917807-3
		BLACK						2-917807-3
OBSOLETE		BLACK	20.32	33.92	43.52	2	6	1-917807-3
								6-917807-2
								5-917807-2
		BLACK						3-917807-2
		BLACK						2-917807-2
		BLACK						1-917807-2
		BLACK	10.16	23.76	33.36	1	4	0-917807-2
FINISH	COLOR	C	B	A	N	POS	P/N	

DOWNSIDE		DWN K.IKEDA 31/OCT/95		TE Connectivity	
CHECKED		CHK Y.ISHIKAWA 31/OCT/95			
APPROVED		APVD S.MANABE 1/NOV/95		NAME 2列リセハウジング	
PRODUCT SPEC		108-5453		DOUBLE ROW REC HSG	
APPLICATION SPEC		114-5206		<DYNAMIC D-5200 M>	
WEIGHT		T1		SIZE	A3
CUSTOMER DRAWING		CAGE CODE		00779	DRAWING NO
				917807	番号
		SCALE		2-1	SHEET
				1	OF
				1	REV
				D	

单击下面可查看定价，库存，交付和生命周期等信息

[>>TE Connectivity\(泰科\)](#)