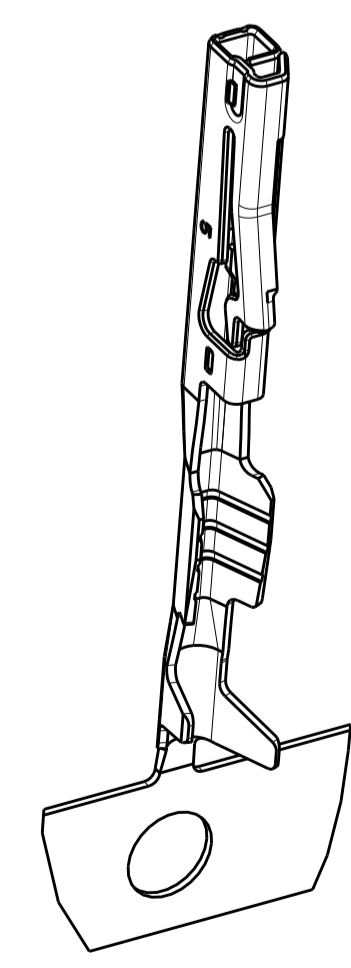
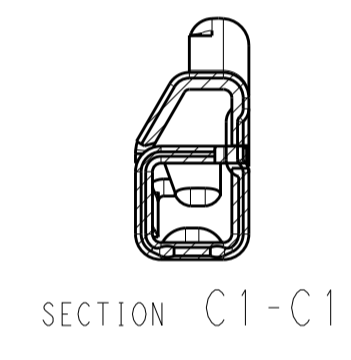
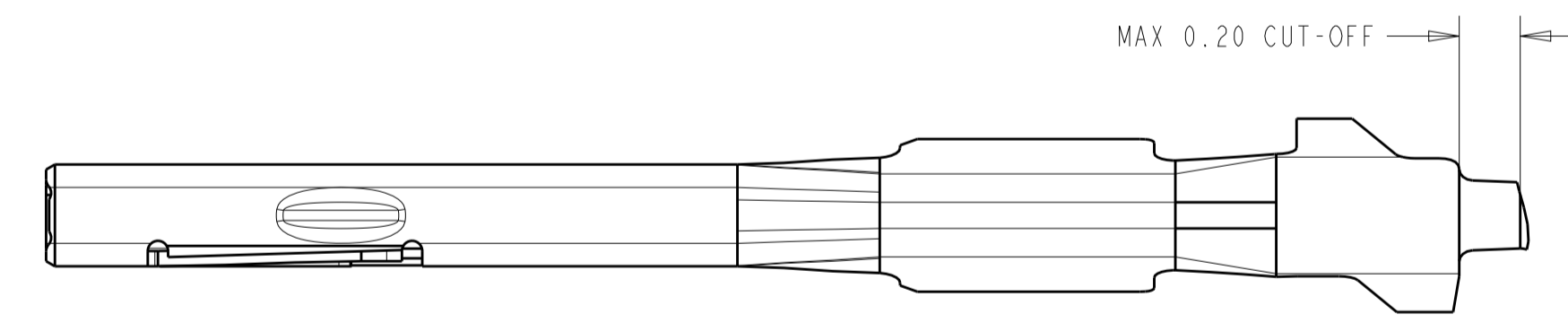
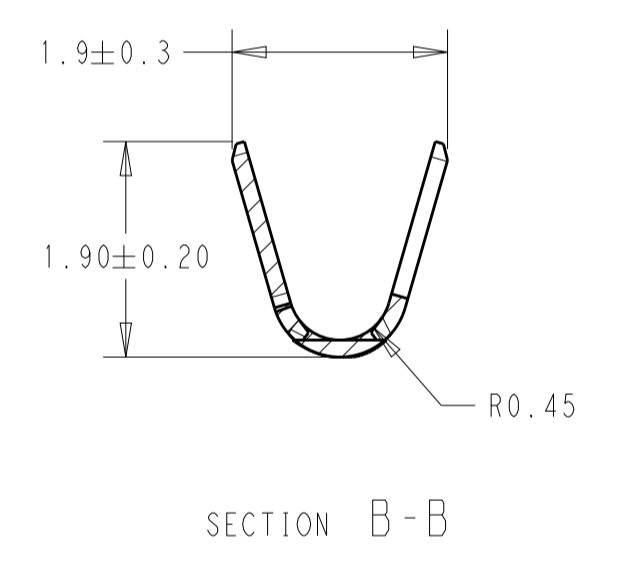
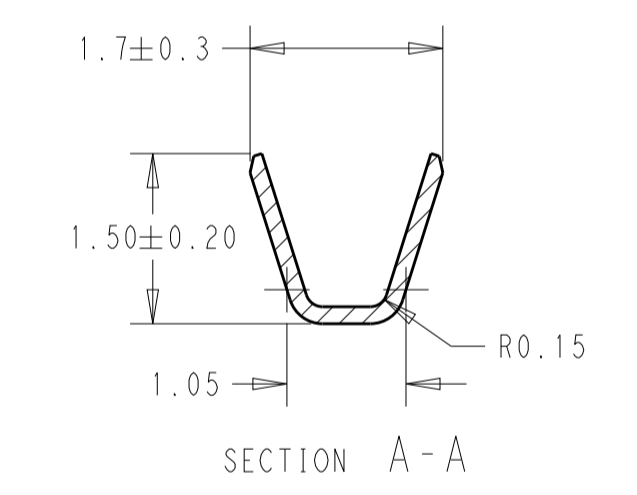
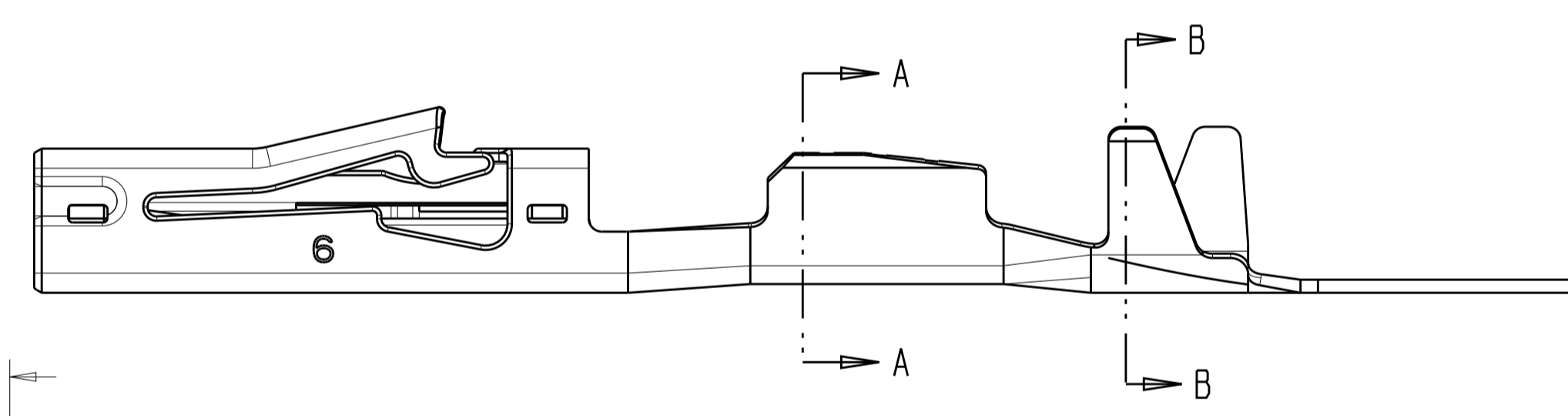
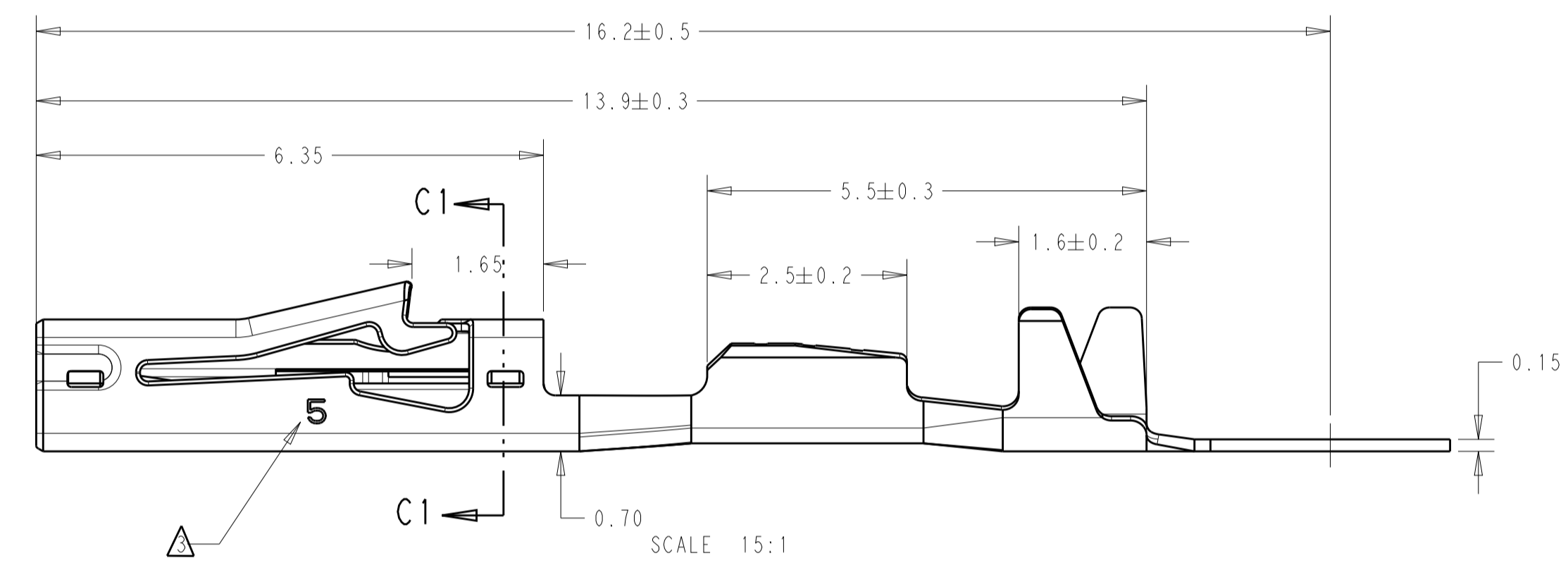
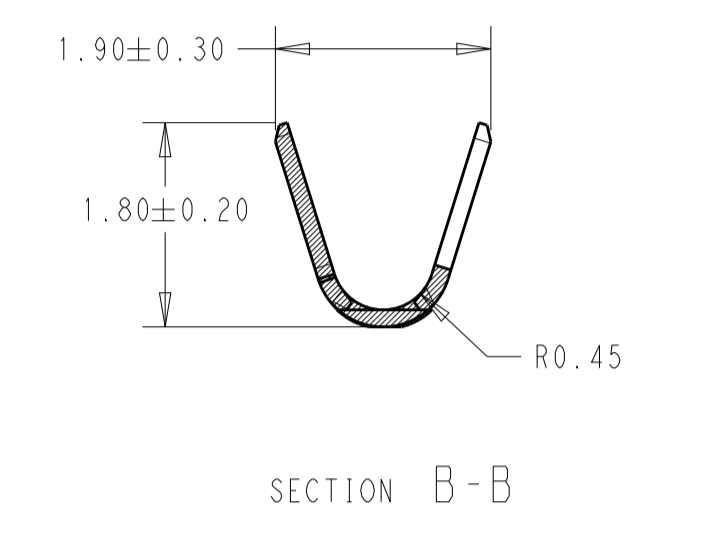
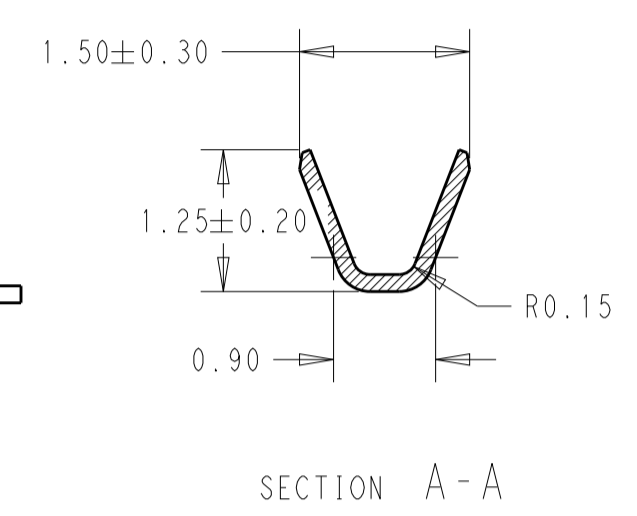
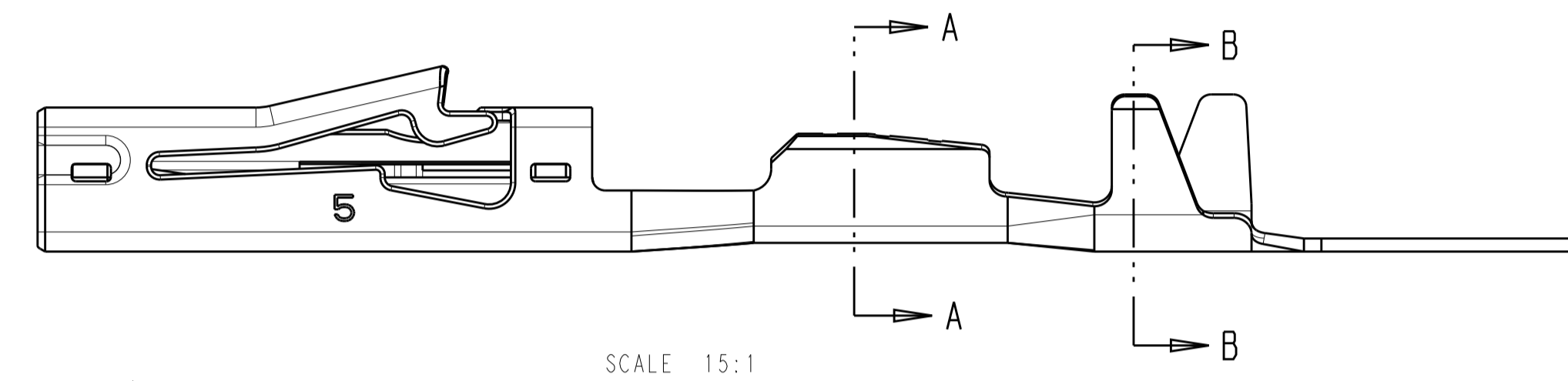
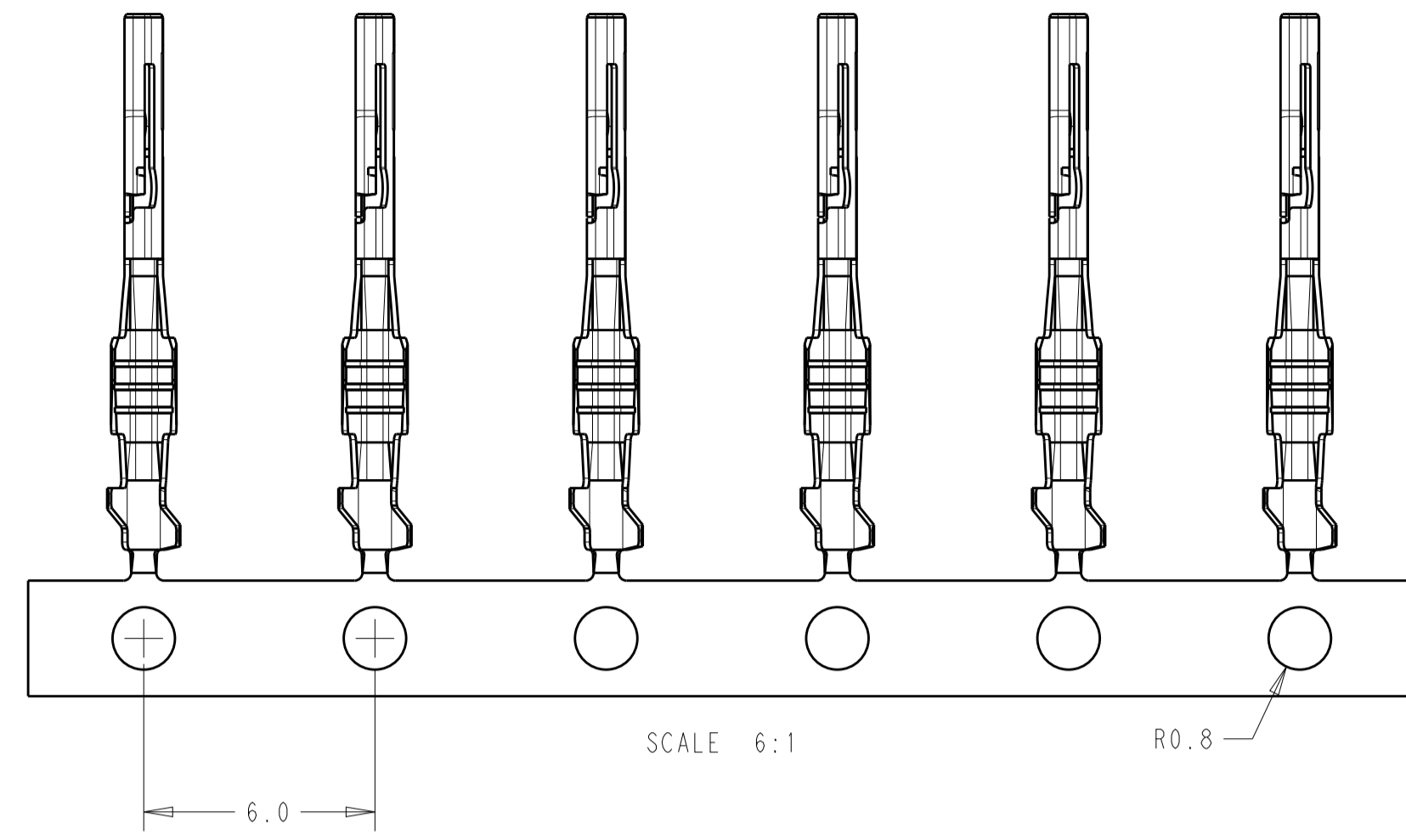


REVISIONS				
P.	LTN	DESCRIPTION	DATE	APPROV
5	ECR-20-012368		02SEP2020	F, F M, S

- NOTE:
1. MATERIAL: COPPER ALLOY
THICKNESS: 0.15MM
 2. PLATING:
TIN PLATING OVER NICKEL PLATING OVERALL
 3. PART NUMBER ABBREVIATION ON BOTH SIDES.
 4. PACKAGED IN REEL INSIDE OF CARTON.



0.95...1.30 mm	0.22...0.35 mm ²	2834464-6
0.85...1.10 mm	0.13...0.17 mm ²	2834464-5
INSUL.DIA ISOØ	WIRE-SIZE DGB	PART NUMBER

THIS DRAWING IS A CONTROLLED DOCUMENT.		DWN FRANK FAN 02SEP2020 CHK GEORGE FU 02SEP2020 APVD MING SHI 02SEP2020	TE Connectivity	
DIMENSIONS:	TOLERANCES UNLESS OTHERWISE SPECIFIED:	NAME	SOCKET CONTACT FOR MINIDYNAMIC	
mm	0 PLC ±0.5 1 PLC ±0.3 2 PLC ±0.15 3 PLC ± 4 PLC ± ANGLES ±	PRODUCT SPEC	108-137443	
		APPLICATION SPEC	114-137526	
MATERIAL	FINISH	WEIGHT	SIZE	CAGE CODE DRAWING NO
-	-	-	A	00779 ©=2834464
CUSTOMER DRAWING		SCALE	7:1	SHEET 1 OF 1 REV 5

单击下面可查看定价，库存，交付和生命周期等信息

[>>TE Connectivity\(泰科\)](#)