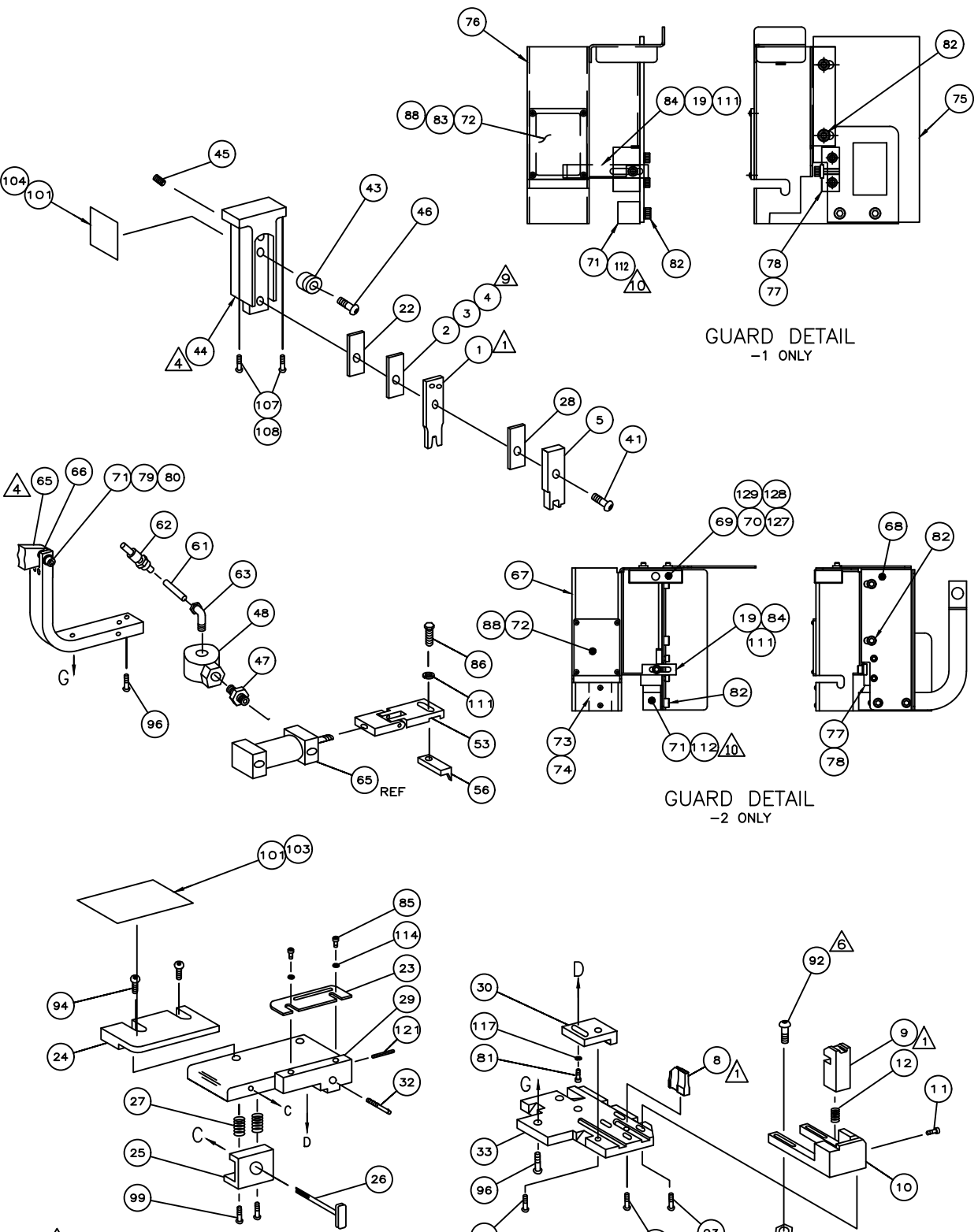


566390

THIS DRAWING IS A CONTROLLED DOCUMENT.

PART NUMBER	REV	FIRST USED	MACHINE REFERENCE	FEED TYPE
566390-1	M	356462-2	G-SPLICE TERM	AIR FEED
566390-2	M	2161300-1	SK CE & GI THRU SPLICE	AIR FEED
7-566390-7	J	356462-2	SPARE PARTS KIT	-
7-566390-8	L	-	CONV. KIT FOR -1 TO -2	-



TERMINAL NAME: SPLICE		62754		CRIMPING DATA		
PAD NO.	CRIMP HEIGHT	WIRE SIZE				
5	.139 ±.002 [3.53 ±0.05mm]	15,250-17,000 CMA				
5	.137 ±.002 [3.48 ±0.05mm]	13,500-15,250 CMA				
5	.131 ±.002 [3.33 ±0.05mm]	11,750-13,500 CMA				
4	.127 ±.002 [3.22 ±0.05mm]	10,000-11,750 CMA				
CRIMP	SIZE	TYPE	RANGE			
WIRE	.300 [7.62mm]	F	10,000-17,000 CMA			
INSUL	-	-	-			
WIRE STRIP LENGTH	TERM APPL SPEC	FEED	APPL INSTRUCTION	SET UP GAGE	LAYOUT	
.312-.352	114-2088	.908	408-8318(-1) 408-127000(-2)	-	I2288	

QTY	REQD	PER	ASSY	PART NO	DESCRIPTION	ITEM NO
2	-	2	-	18029-2	M4 HEX NUT	129
2	-	2	-	18025-2	M4 LOCK WASHER	128
2	-	2	-	18027-2	M4 FLAT WASHER	127
1	-	1	-	408-32162	THRU SPLICE IS SHEET-GII	126
-	-	1	-	408-127000	THRU SPLICE IS SHEET	125
-	-	1	1	217238-1	GENERAL INSTRUCTION PACKAGE	124
-	-	-	1	408-8318	THRU SPLICE IS SHEET	123
-	-	-	-	-	-	122
-	-	1	1	4-21028-0	PIN,SLT SPR(Ø.093x.75)ST GDE PL	121
-	-	-	-	-	-	120
-	-	-	-	-	-	119
-	-	-	-	-	-	118
-	-	3	3	21024-5	WASHER, LOCK(#10)ADJ BLOCK	117
-	-	-	-	-	-	116
-	-	-	-	-	-	115
-	-	2	2	21024-2	WASHER,LOCK(#4)FRONT STP GUIDE	114
-	-	-	-	-	-	113
-	-	AR	AR	21899-2	WASHER, FLAT (#10)	112
-	-	2	2	21024-4	WASHER,LOCK(#8)STRIPPER	111
-	-	-	-	-	-	110
-	-	-	-	-	-	109
2	-	2	-	3-18023-3	SCR,SHC (M6 X 50)	108
-	-	-	2	3-18023-0	SCR,SHC(6 X 25)RAM	107
-	-	-	-	-	-	106
-	-	-	-	-	-	105
-	-	1	1	819347-1	PLATE, I.D.-RAM	104
-	-	1	1	690701-2	PLATE, I.D.-STRIP GUIDE	103
-	-	-	-	-	-	102
-	-	AR	AR	982057-2	TAPE, POLYURETHANE FOAM	101
-	-	-	-	-	-	100
-	-	2	2	3-21002-0	SCR,BHC(10-32x.88)DRAG	99
-	-	1	1	22733-8	SCR,BHC(8-32x.38 LW)ANVIL	98
-	-	-	-	-	-	97
-	-	2	2	2-22733-8	SCR,BHC(1/4-20x.62)HSG	96
-	-	1	1	2-21002-7	SCR,BHC(10-32x.50)SG ADJ BLK	95
-	-	2	2	2-21002-4	SCR,BHC(8-32x.75)TERM H DWN	94
-	-	2	2	2-21002-2	SCR,BHC(8-32x.50)HOLDER	93
-	-	2	2	1-21002-9	SCR,BHC(6-32x.62)HOLDER	92
-	-	2	2	21018-5	NUT,HEX(6-32)HOLDER	91
-	-	-	-	-	-	90
-	-	-	-	-	-	89
-	-	4	4	1-21002-0	SCR,BHC(2-56x.25)GUARD	88
-	-	-	-	-	-	87
-	-	1	1	2-22603-1	SCR,HEX HD(8-32x.38)FEED FINGER	86
-	-	2	2	1-21000-3	SCR,SHC(4-40x.25)F ST GUIDE	85
-	-	1	1	2-21000-7	SCR,SHC(8-32x.50)STRIPPER	84
-	-	4	4	21018-3	NUT,HEX(2-56)GUARD	83
-	-	4	4	3-21000-4	SCR,SHC(10-32x.38)GUARD	82
-	-	1	1	3-22603-1	SCR,HEX(10-32x.38)SG ADJ BL	81
-	-	1	1	3-21001-4	SCR, SHC 3/8-16x.88	80
-	-	1	1	21024-8	WASHER, LOCK 3/8	79
-	-	1	1	1338118-1	MOUNT, STRIPPER	78
-	-	2	2	2-21000-0	SCR,SHC(6-32x.75)STR MOUNT	77
-	-	-	1	1338774-1	GUARD	76
-	-	-	1	1338176-1	GUARD, EXTENSION	75
-	-	1	-	1338177-1	DEFLECTOR	74
-	-	2	-	21002-9	SCR,BHC(2-56 x .19)DEFL	73
-	-	1	1	1338174-1	WINDOW, GUARD	72
-	-	1	1	1338116-2	BRACKET, FEED	71
-78	-77	-2	-1			

△ PLACE ITEM 112 BETWEEN ITEM 71 AND 75 ON -1.
 △ PLACE ITEM 112 BETWEEN ITEM 71 AND 68 ON -2.

QTY	REQD	PER	ASSY	PART NO	DESCRIPTION	ITEM NO
2	-	2	-	1-18023-3	SCR, SHC, M4 X 16	70
1	-	1	-	2168489-1	ACTUATOR, SPARE MC1	69
1	-	1	-	2161461-1	GUARD, EXTENSION	68
1	-	1	-	2161460-1	GUARD	67
-	-	1	1	371178	BASE MOUNT WASHER	66
-	-	1	1	461065-2	AIR FEED ASSY (2 INCH)	65
-	-	2	2	3-21000-7	SCR,SHC(10-32x.75)AIR ASSY	64
-	-	1	1	980285-2	ELBOW, SWIVEL 1/8 NPT - 1/4 T	63
-	-	1	1	23238-1	QUICK DISCONNECT	62
-	-	21.00	21.00	27319-4	TUBING, POLY-FLO Ø.25	61
-	-	-	-	-	-	60
-	-	-	-	-	-	59
-	-	-	-	-	-	58
-	-	-	-	-	-	57
-	-	1	1	1-694433-6	PAWL, FEED	56
-	-	-	-	-	-	55
-	-	-	-	-	-	54
4	-	1	1	1-461062-1	FEED FINGER ASSY	53
-	-	-	-	-	-	52
-	-	-	-	-	-	51
-	-	-	-	-	-	50
-	-	-	-	-	-	49
-	-	1	1	22374-7	VALVE, QUICK EXHAUST	48
-	-	1	1	22304-1	NIPPLE, HEX 1/8 NPT	47
-	-	1	1	21004-9	SCR,SHC(.31 X .50)WHEEL ADJ	46
-	-	1	1	27058-2	BALL PLUNGER	45
4	-	1	1	1338117-1	TOOL HOLDER ASSY	44
-	-	1	1	1338124-1	WHEEL, ADJ	43
8	-	2	2	2-18023-9	SCR,SHC(M6 X 20)BASE	42
-	-	1	1	7-21002-8	BOLT, CRIMPER(5/16x.88)	41
-	-	-	-	-	-	40
-	-	-	-	-	-	39
-	-	-	-	-	-	38
-	-	-	-	-	-	37
-	-	-	-	-	-	36
-	-	-	-	-	-	35
-	-	-	-	-	-	34
-	-	1	1	1338397-1	PLATE, BASE	33
-	-	1	1	690432-3	SCREW, ADJUSTMENT	32
-	-	-	-	-	-	31
-	-	1	1	455689-1	BLOCK, STRIP GUIDE ADJ	30
-	-	1	1	2-455671-9	PLATE, STRIP GUIDE	29
-	-	1	1	455888-3	SPACER, FRONT SHEAR DEP	28
-	-	2	2	1-22284-0	SPRING, DRAG	27
-	-	1	1	690546-1	LEVER, DRAG RELEASE	26
-	-	1	1	240792-1	DRAG, TERMINAL	25
-	-	1	1	7-690440-8	GUIDE, STRIP (REAR)	24
-	-	1	1	693855-1	GUIDE, STRIP (FRONT)	23
-	-	1	1	1338200-5	SPACER, WIRE CRIMPER	22
-	-	-	-	-	-	21
-	-	-	-	-	-	20
-	-	1	1	1-690472-8	STRIPPER	19
-	-	-	-	-	-	18
-	-	-	-	-	-	17
-	-	-	-	-	-	16
-	-	-	-	-	-	15
-	-	-	-	-	-	14
-	-	1	1	5-22280-0	SPRING, SHEAR	13
-	-	1	1	690461-2	STOP, SHEAR	12
-	-	1	1	90769-4	HOLDER, SHEAR (FRONT)	11
-	-	1	1	1-454276-1	SHEAR, FLOAT (FRONT)	10
1	-	1	1	1338217-1	ANVIL	9
-	-	-	-	-	-	8
-	-	-	-	-	-	7
-	-	-	-	-	-	6
-	-	1	1	1338126-2	DEPRESSOR, SHEAR (FRONT)	5
-	-	1	1	1338200-3	SPACER	4
-	-	1	1	1338200-2	SPACER	3
-	-	1	1	1338200-1	SPACER	2
-	-	1	1	1338125-3	CRIMPER, WIRE	1

LOC A
 DIST 66
 3308-B (1/06)

APPROVED: [Signature] DATE: 10-2017
 DIMENSIONS: INCHES
 TOLERANCES UNLESS OTHERWISE SPECIFIED:
 0 PLG ±.005
 1 PLG ±.010
 2 PLG ±.015
 3 PLG ±.020
 4 PLG ±.025

DATE: 10-2017
 REV: RS
 SURFACE TEXTURE: [Symbol]

SCALE: [Symbol] SIZE: A1
 DRAWING NO: 566390
 SHEET: 1 of 1
 REV: M1

TE CONNECTIVITY
 Harrisburg, PA 17105-3608

SIDE FEED THRU SPLICE APPLICATOR

CUSTOMER ACCESSIBLE PRODUCTION DRAWING

单击下面可查看定价，库存，交付和生命周期等信息

[>>TE Connectivity\(泰科\)](#)