

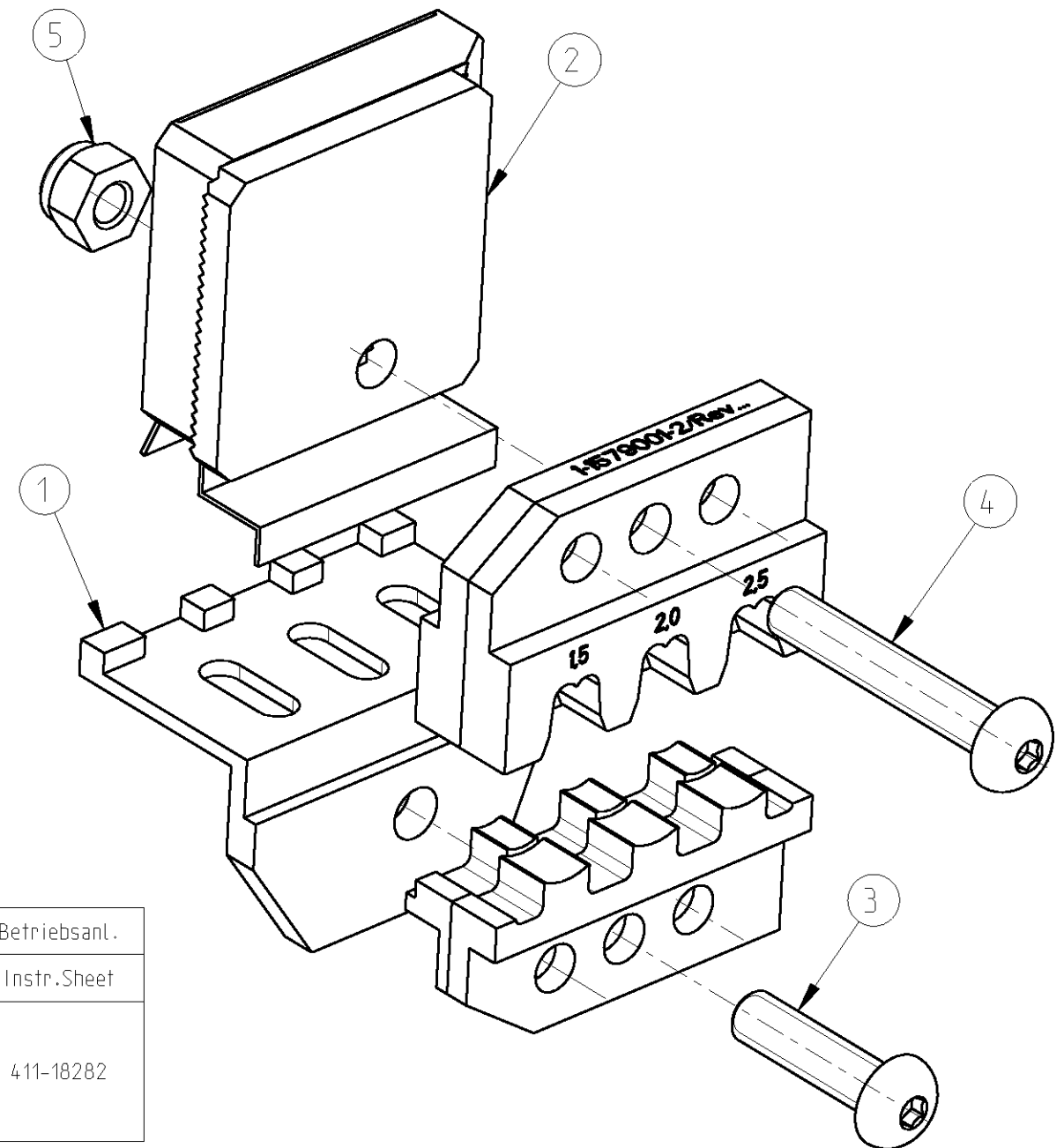
THIS DRAWING IS UNPUBLISHED. RELEASED FOR PUBLICATION 2008
 © COPYRIGHT 2008 BY TYCO ELECTRONICS CORPORATION. ALL RIGHTS RESERVED.

LOC	DIST	REVISIONS			
P	LTR	DESCRIPTION	DATE	DWN	APVD
AI	-				

ERGOCRIMP DIE SET FOR FASTIN FASTON 9,5 mm WIRE RANGE 1,5-2,5 mm²

Matrize in Kombination mit Ergocrimp Basishandzange TE P/N 539635-1 verwenden
 Use die set in combination with Ergocrimp basis hand tool TE P/N 539635-1

Matrize im Karton mit Bedienungsanleitung 411-18282 verpackt
 Die set packed in a cardboard with instruction sheet 411-18282



1-1579001-2	1	7-0744010-9	Instruction Sheet	Bedienungsanleitung	7
	1	0-0519021-8	Nut M4 DIN 934	Mutter M4 DIN 934	6
	1	0-0519024-2	Nut M4 DIN 985	Mutter M4 DIN 985	5
	1	1-0519151-3	Screw M4x25	Schraube M4x25	4
	1	1-0519151-1	Screw M4x16	Schraube M4x16	3
	1	8-1579005-7	Locator Assembly	Drahtanschlag	2
	1	4-1579005-2	Contact Locator	Kontaktpositionierer	1
	QTY Stck	TE P/N	Description	Benennung	Pos.

Kontakt	DGB (mm ²)	Drahtcrimp / Wire Crimp		Isolationscrimp/Insulationcrimp		Isol.Ø	Betriebsanl.
Contact	Wire Range	Hoehe/Height mm	Breite/Width mm	Hoehe/Height mm	Breite/Width mm	Ins.Range	Instr.Sheet
963827	1,5	1,92 ±0,03	3,05 F	-----	4,58 F	2,4-3,7	411-18282
	2,0	2,05 ±0,03		-----			
	2,5	2,18 ±0,03		-----			

<small>THIS DRAWING IS A CONTROLLED DOCUMENT FOR TYCO ELECTRONICS CORPORATION IT IS SUBJECT TO CHANGE AND THE CONTROLLING ENGINEERING ORGANIZATION SHOULD BE CONTACTED FOR THE LATEST REVISION.</small>		DWN Ch.Witt	05AUG2008	tyco Electronics AMP GmbH D - 64625 Bensheim	
DIMENSIONS: mm		CHK	-	NAME	
		APVD	-	ERGOCRIMP DIE SET FOR FF 9,5 mm Ergocrimp Matrize fuer FF 9,5 mm	
TOLERANCES UNLESS OTHERWISE SPECIFIED: 0 PLC ± 1 PLC ± 2 PLC ± 3 PLC ± 4 PLC ± ANGLES ±1°		PRODUCT SPEC	-	SIZE	A3
MATERIAL - FINISH -		APPLICATION SPEC	-	CAGE CODE	00779
		WEIGHT	200 g	DRAWING NO	©=1-1579001-2
		CUSTOMER DRAWING		RESTRICTED TO	-
		SCALE	2:1	SHEET	1 OF 1
				REV	A

单击下面可查看定价，库存，交付和生命周期等信息

[>>TE Connectivity\(泰科\)](#)