

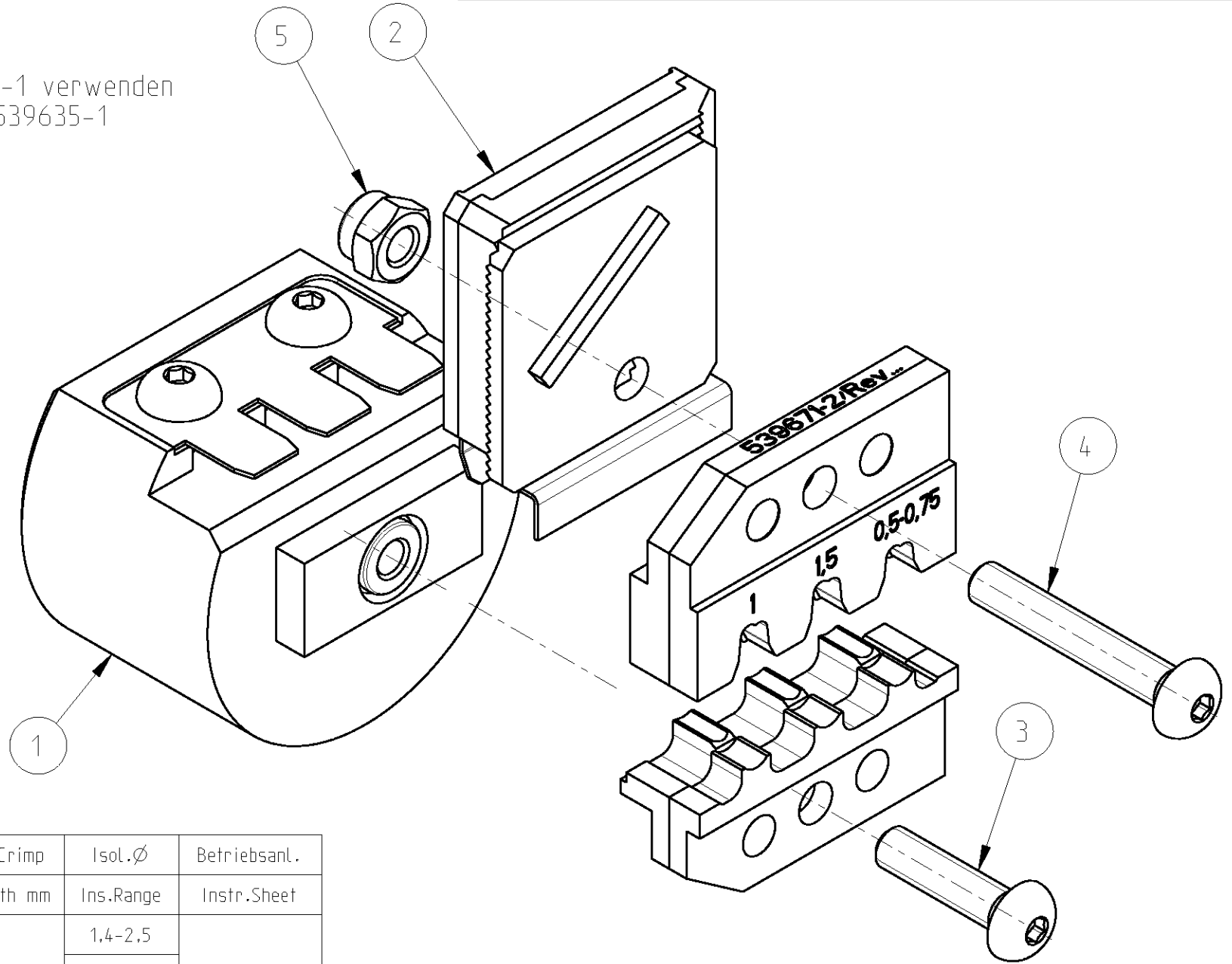
THIS DRAWING IS UNPUBLISHED. RELEASED FOR PUBLICATION 2009
 © COPYRIGHT 2009 BY TYCO ELECTRONICS CORPORATION. ALL RIGHTS RESERVED.

LOC	DIST	REVISIONS				
P	LTR	DESCRIPTION	DATE	DWN	APVD	
A	-	INITIAL REVISION	11FEB2002	wi	-	
B	-	ECR-09-011023	07SEP2009	wi	wi	

ERGOCRIMP - DIE SET POSITIVE LOCK 6.3 mm

Matrize in Kombination mit Ergocrimp Basishandzange TE P/N 539635-1 verwenden
 Use die set in combination with Ergocrimp basis hand tool TE P/N 539635-1

Matrize im Karton mit Bedienungsanleitung 411-18113 verpackt
 Die set packed in a cardboard with instruction sheet 411-18113



539671-2	1	9-0744001-1	Instruction Sheet	Bedienungsanleitung	6
	1	0-0519024-2	Nut M4 DIN 985	Mutter M4 DIN 985	5
	1	1-0519151-3	Screw M4x25	Schraube M4x25	4
	1	1-0519151-1	Screw M4x16	Schraube M4x16	3
	1	3-1579025-0	Wire Stop	Drahtanschlag	2
	1	2-1579025-9	Contact Locator	Kontaktpositionierer	1
QTY Stck		PN	Description	Benennung	Pos.

Kontakt	DGB (mm ²)	Drahtcrimp / Wire Crimp		Isolationscrimp / Insulation Crimp		Isol.Ø	Betriebsanl.
Contact	Wire Range	Hoehe/Height mm	Breite/Width mm	Hoehe/Height mm	Breite/Width mm	Ins.Range	Instr.Sheet
160773	0.5-0.75	1.44 ±0.05	2.29 F	2.9 ±0.1	3.30 0V	1.4-2.5	411-18113
	1.0	1.56 ±0.05		3.4 ±0.1		1.9-2.7	
	1.5	1.71 ±0.05		3.6 ±0.1		2.2-3.0	

<small>THIS DRAWING IS A CONTROLLED DOCUMENT FOR TYCO ELECTRONICS CORPORATION IT IS SUBJECT TO CHANGE AND THE CONTROLLING ENGINEERING ORGANIZATION SHOULD BE CONTACTED FOR THE LATEST REVISION.</small>		DWN Ch. Witt 02SEP2009 CHK Ch. Witt 07SEP2009 APVD Ch. Witt 07SEP2009		Tyco Electronics AMP GmbH 64625 Bensheim (Germany)	
DIMENSIONS: mm 		TOLERANCES UNLESS OTHERWISE SPECIFIED: 0 PLC ± 1 PLC ± 2 PLC ± 3 PLC ± 4 PLC ± ANGLES ±		NAME DIE SET FOR POSITIVE-LOCK 6.3 mm Matrize fuer Positive-Lock 6.3 mm	
MATERIAL -		FINISH -		PRODUCT SPEC - APPLICATION SPEC - WEIGHT 139.737	
CUSTOMER DRAWING		SIZE A3 CAGE CODE 00779 DRAWING NO. C=539671-2		RESTRICTED TO -	
SCALE 2:1		SHEET 1 OF 1		REV B	

单击下面可查看定价，库存，交付和生命周期等信息

[>>TE Connectivity\(泰科\)](#)