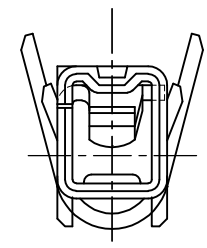
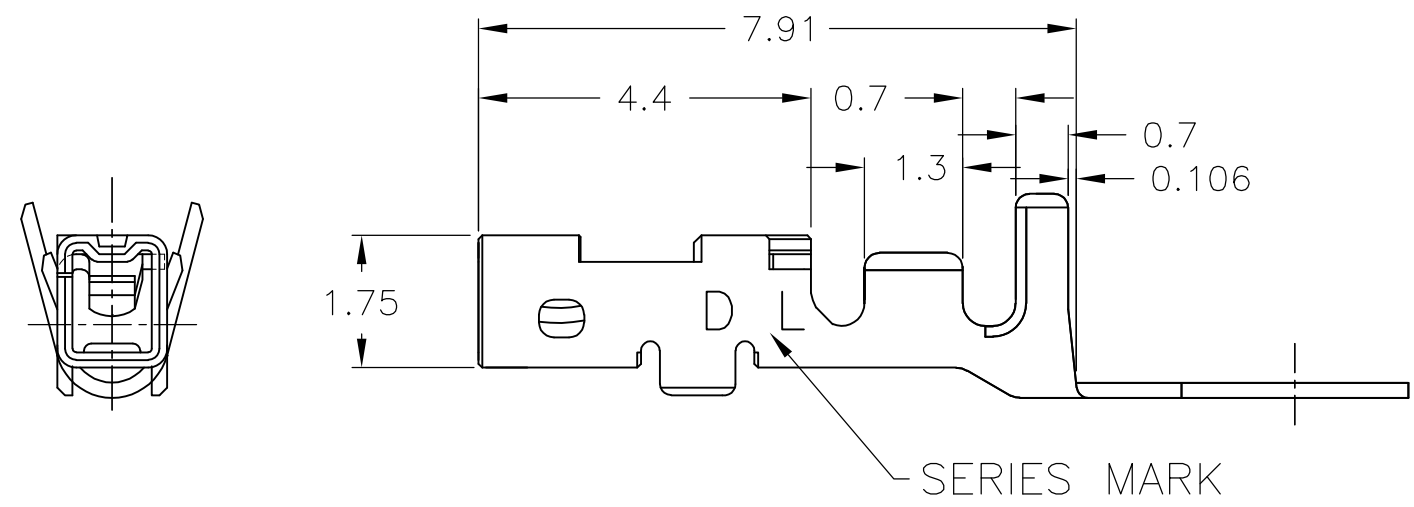
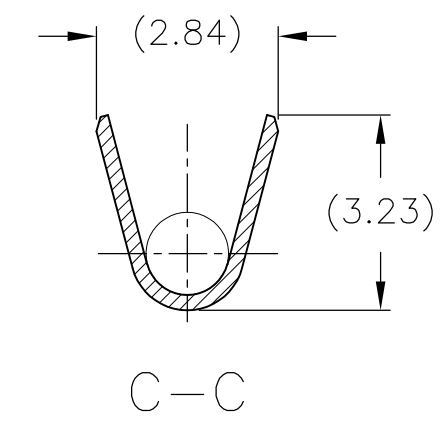
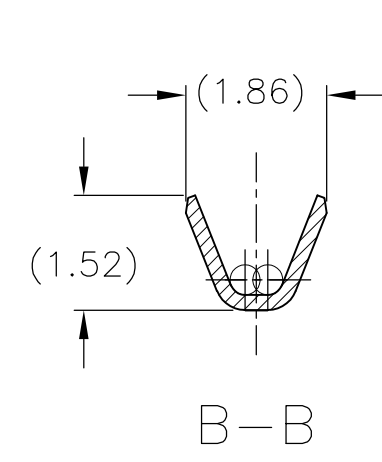
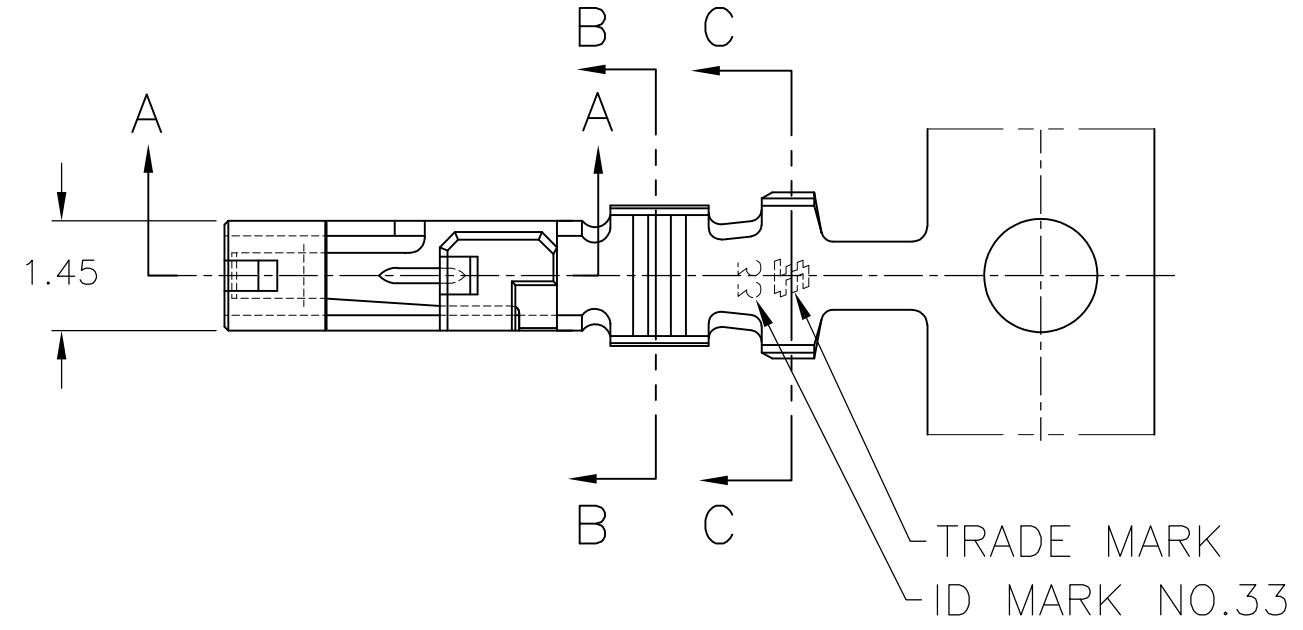
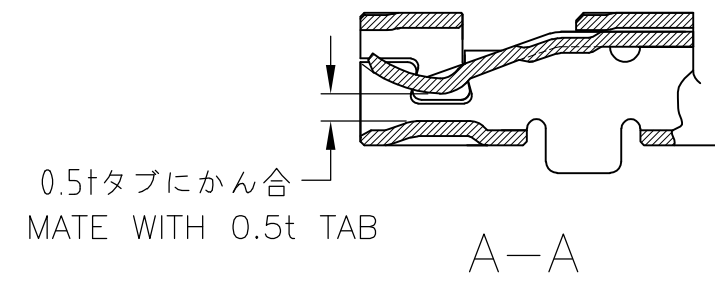


THIS DRAWING IS UNPUBLISHED. RELEASED FOR PUBLICATION MAY, 2005.
 © COPYRIGHT 2005 BY TYCO ELECTRONICS CORPORATION. ALL INTERNATIONAL RIGHTS RESERVED.

LOC	DIST	REVISIONS			DATE	DWN	APVD
J	/	P	LTR	DESCRIPTION			
		C		REVISED ECR-10-016584	10AUG2010	T.T	T.M



1. APPLICATION REC-HSG IS APPLIED TO THE PRODUCT OF 2.5mm PITCH OR MORE OF DYNAMIC D1000 SERIES. 2.0mm PITCH CANNOT BE USED.



AWG#28~#22 0.08~0.38mm ²	φ1.08~φ1.9	PRE-TIN COPPER ALLOY 錫めっき済銅合金	1871304-1
WIRE RANGE 導体断面積	INSULATION DIA 被覆外径	MATERIAL 材料	PART NO. 型番

THIS DRAWING IS A CONTROLLED DOCUMENT.		DWN T.KUDO 13MAY2005	Tyco Electronics Corporation Kawasaki, Japan	
DIMENSIONS: 単位: 耗 mm		CHK D.MITSUGI 13MAY2005	NAME D.MITSUGI	
TOLERANCES UNLESS OTHERWISE SPECIFIED: 一般公差		APVD D.MITSUGI 13MAY2005	PRODUCT SPEC 製品規格 108-78298	
0 PLC ± 0.3		APPLICATION SPEC 取付適用規格 114-5377		
1 PLC ±		SIZE A3		
2 PXC ±		CAGE CODE 00779		
3 PLC ±		DRAWING NO C-1871304		
4 PLC ±		RESTRICTED TO		
ANGLES ± 3deg		SCALE 尺度 10:1		
MATERIAL 材料		SHEET 1 OF 1		
FINISH 仕上		REV C		
CUSTOMER DRAWING				

单击下面可查看定价，库存，交付和生命周期等信息

[>>TE Connectivity\(泰科\)](#)