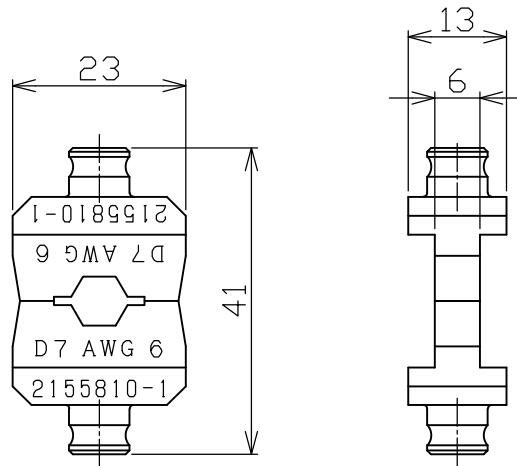


REVISIONS					
P	LTR	DESCRIPTION	DATE	DWN	APVD
	A3	ECR-19-016661 Remove note Restrict sales	06NOV2019	S.N	J.S

PART NUMBER	WIRE RANGE mm ²	TERMINAL DYNAMIC D7000	REMARKS
2155810-1	12.35~15.07 (AWG 6 REF.)	1871132-1 (SOCKET) 1871131-1 (PIN NDMAL) 1-1871131-1 (PIN LONG)	TE REC-Li60

適用電線 12.35~15.07mm² (参考 AWG 6) 専用。



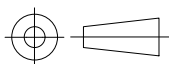
RELEASED FOR PUBLICATION

ALL RIGHTS RESERVED.

© COPYRIGHT - By Tyco Electronics Japan G.K.

THIS DRAWING IS UNPUBLISHED.

DIMENSIONS: mm	DWN	S.NAKA	29JUL2013	MATERIAL	COMMERCIAL ITEM	FINISH	-
	CHK	J.KOGA	29JUL2013	TE Connectivity Ltd.			
TOLERANCES UNLESS OTHERWISE SPECIFIED:	APVD	J.KOGA	29JUL2013				
	0 PLC	± -	PRODUCT SPEC	-	SIZE	CAGE CODE	DRAWING NO
1 PLC	± -	APPLICATION SPEC	114-5452	A4	00779	C-2155810	-
2 PLC	± -	WEIGHT	Approx 54g	CUSTOMER DRAWING			
3 PLC	± -	SCALE		1:1	SHEET		1 OF 1
4 PLC	± -	REV		A3			
ANGLES	± -	SCALE		1:1	SHEET		1 OF 1



单击下面可查看定价，库存，交付和生命周期等信息

[>>TE Connectivity\(泰科\)](#)