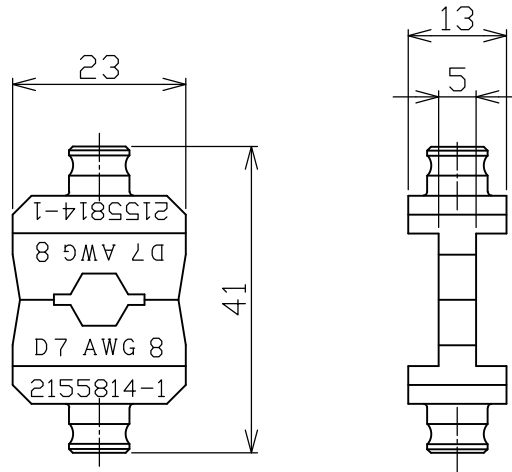


REVISIONS					
P	LTR	DESCRIPTION	DATE	DWN	APVD
	A2	ECR-19-016661 Remove note Restrict sales	06NOV2019	S.N	J.S

PART NUMBER	WIRE RANGE (mm ²)	TERMINAL DYNAMIC D7000	REMARKS
2155814-1	6.7~10.5 (AWG 8)	1871132-2 (SOCKET) 1871131-2 (PIN NDMAL) 1-1871131-2 (PIN LONG)	TE REC-Li60




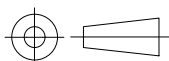
RELEASED FOR PUBLICATION

ALL RIGHTS RESERVED.

THIS DRAWING IS UNPUBLISHED.

© COPYRIGHT 2013 By Tyco Electronics Japan G.K.

DIMENSIONS: mm	DWN	S.NAKA	29JUL2013	MATERIAL	COMMERCIAL ITEM	FINISH	-						
	CHK	J.KOGA	29JUL2013	 TE Connectivity Ltd.									
TOLERANCES UNLESS OTHERWISE SPECIFIED:	APVD	J.KOGA	29JUL2013					NAME	DIES, TE REC-Li60, D7000, AWG 8				
	0 PLC	± -	PRODUCT SPEC	-	SIZE	A4	CAGE CODE	00779	DRAWING NO	C-2155814	RESTRICTED TO	-	
1 PLC	± -	APPLICATION SPEC	114-5452	WEIGHT	Approx 55g		SCALE		1:1	SHEET	1 of 1	REV	A2
2 PLC	± -	CUSTOMER DRAWING											
3 PLC	± -												
4 PLC	± -												
ANGLES	± -												



单击下面可查看定价，库存，交付和生命周期等信息

[>>TE Connectivity\(泰科\)](#)